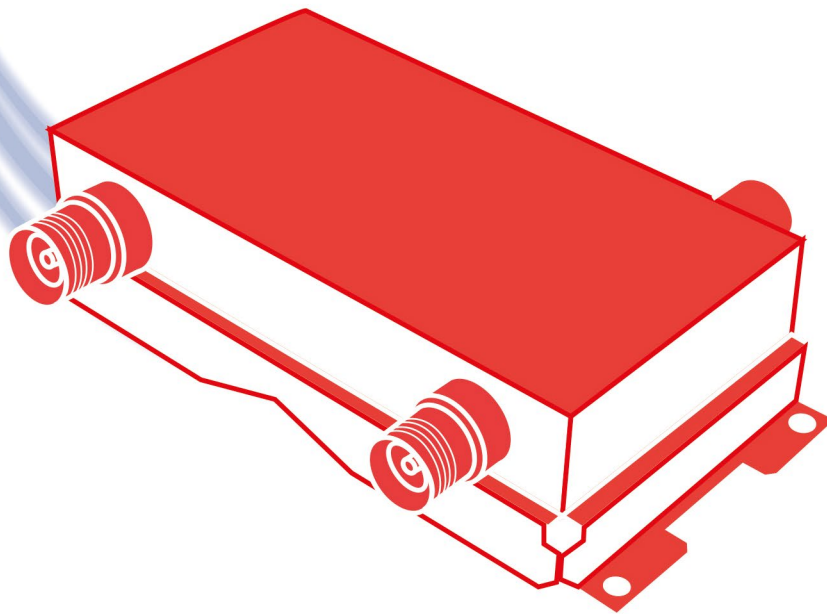


COUPLERS SPLITTERS



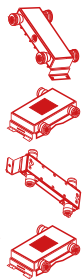
=> [Search by Part Number](#)



For Telecom Equipments Split or Combination

- ⇒ Robust Stripline Construction
- ⇒ Short Delivery Service
- ⇒ 100% RF Controlled
- ⇒ «5G ready» 4.3-10 Products
- ⇒ Low PIM Products
- ⇒ Broadband Products
- ⇒ Outdoor Use

150-2000 MHz Hybrid	3	698-3800 MHz Hybrid	10
350-600 MHz Hybrid	4	698-3800 MHz Power Splitter	11
380 - 900 MHz Hybrid	5	698-3800 MHz Splitter	12
698-2700 MHz Directional	6	Broadband Resistive Power Splitter 2 ways	13
698-2700 MHz Hybrid	7	Impedance Matcher	14
698-2700 MHz Hybrid	8	Search by Part Number	15
698-3800 MHz Directional	9		





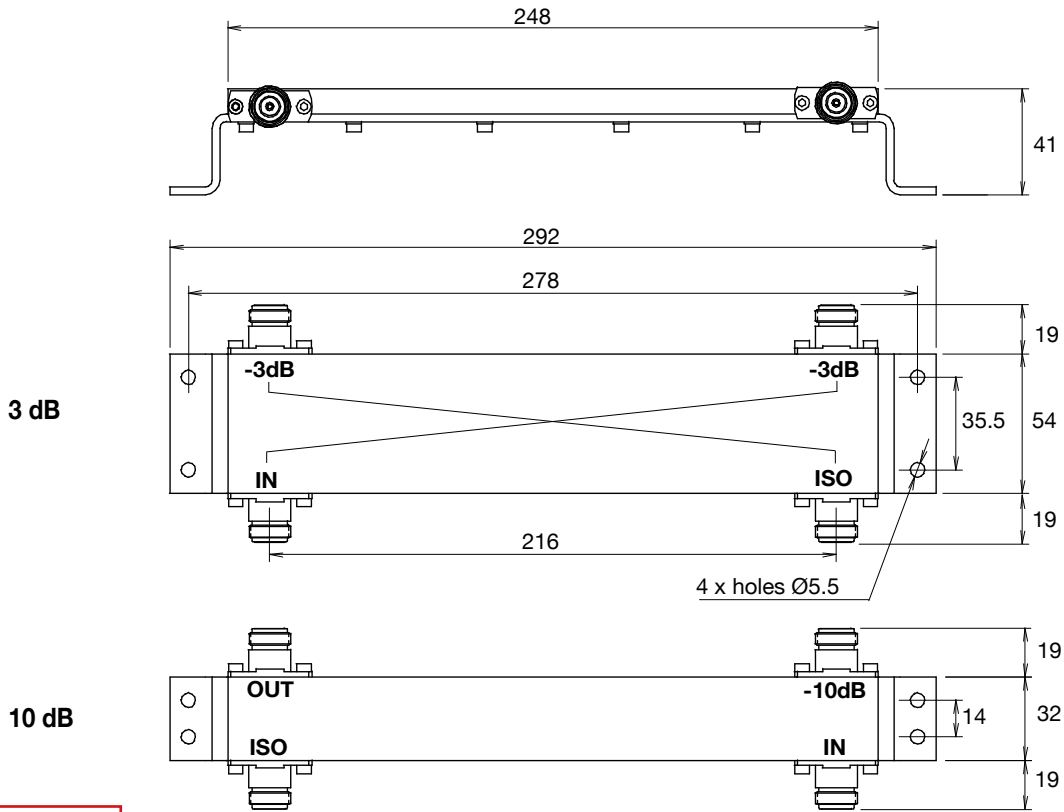
150-2000 MHz Hybrid



Couplers - Splitters



Frequency	150-2000 MHz
Impedance	50 Ω
Temperature range	- 30 to + 70°C
Average power	100 W
Protection level	IP 44
Color	White RAL 9002
Weight	590 g (3 dB) 395 g (10 dB)



Dimensions in mm

[Return to Search by Part Number](#)

P/N (Nf)	Coupling (dB)	Frequency (MHz)	Δ Coupling (dB)	Isolation (dB)	Max VSWR
14 740 031 C	3	150-2000	± 1.5	≥14*	1.5*
14 740 101 C	10	150-2000	± 1.5	≥14**	1.5**

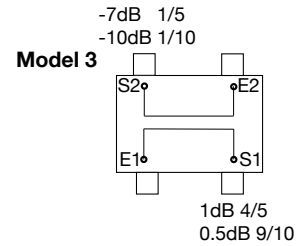
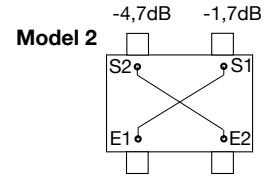
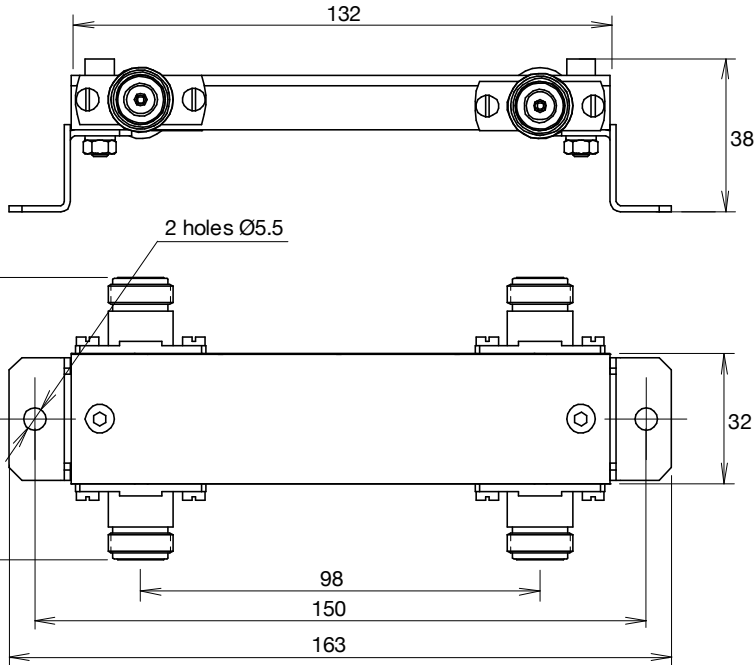
* 300-500 MHz: Isolation ≥18dB, Max VSWR 1.3
 ** 300-500 MHz: Isolation ≥20dB, Max VSWR 1.3

350-600 MHz Hybrid



Couplers - Splitters

Frequency	350-600 MHz
Impedance	50 Ω
Temperature range	- 30 to + 70°C
Average power	100 W
Protection level	IP 61
Color	White RAL 9002
Weight	290 g



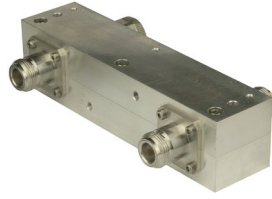
Dimensions in mm

[Return to Search by Part Number](#)

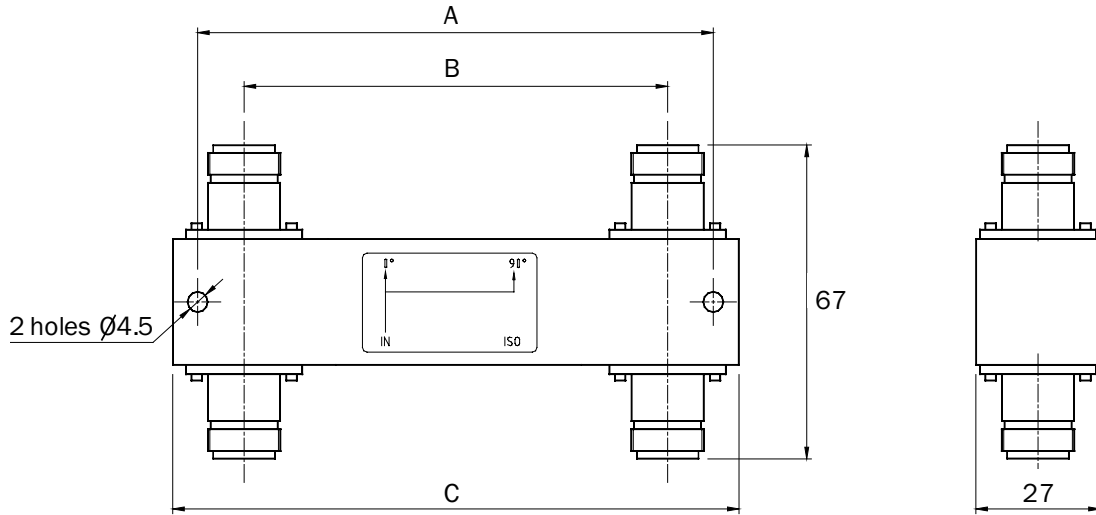
P/N (Nf)	Coupling (dB)	Frequency (MHz)	Δ Coupling (dB)	Isolation (dB)	Max VSWR	Model
14 850 031 D	3	350-600	± 0.5	≥33	1.08	2
14 850 047 B	4.7	350-600	± 0.5	≥29	1.1	2
14 850 061 B	6	350-600	± 0.5	≥29	1.1	3
14 850 101 F	10	350-600	± 1.1	≥35	1.08	3



380 - 900 MHz Hybrid



Impedance 50 Ω
 Phase variation ≤ 1.5°
 Insertion loss ≤ 0.3 dB
 Temperature range - 30 to + 70°C



Dimensions in mm

[Return to Search by Part Number](#)

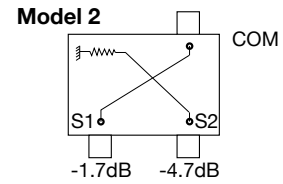
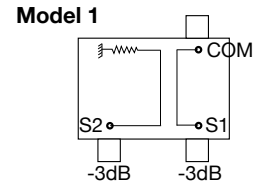
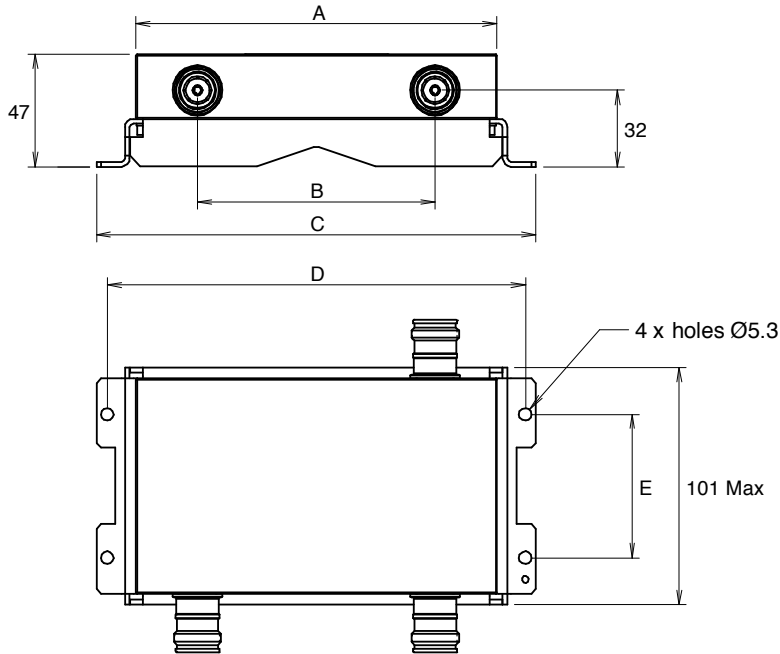
P/N (Nf)	Coupling (dB)	Frequency (MHz)	Δ Coupling (dB)	Isolation (dB)	Max VSWR	Power (W @ 25°C)	Connector	A (mm)	B (mm)	C (mm)	D (mm)	E (mm)
29-0059	3	380-395	± 0.5	≥33	1.1	500	N f	120	92	135	70	34
29-0060	20	380-395	± 0.7	≥50	1.1	500	N f	120	92	135	70	34
29-3388	3	430-860	± 0.5	≥26	1.1	500	N f	97	77	108	67	27
29-0024	3	450-900	± 0.5	≥26	1.1	300	N f	93	73	104	67	27
29-0054	6	470-860	± 0.5	≥30	1.1	500	N f	93	73	104	67	27
29-0055	6	470-860	± 0.5	≥30	1.1	1000	7-16 f	93	93	121	74	37
29-0023	3	900-1800	± 0.7	≥23	1.15	50	N f	59	39	70	67	27

698-2700 MHz Directional

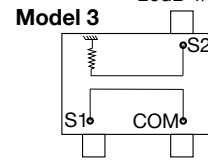


Couplers - Splitters

Frequency	698-2700 MHz
Impedance	50 Ω
Intermodulation IM3	≤-153 dBc for 2 carriers at +43 dBm
Temperature range	-30 to +70°C
Average power	
- If used as a combiner (2→1)	40 W
- If used as a divider (1→2)	80 W
Protection level	IP 67
Weight	1.5 kg



-7dB 1/5
-10dB 1/10
-20dB 1/100



1dB 4/5
0.5dB 9/10
0.05dB 99/100

Dimensions in mm

[Return to Search by Part Number](#)

P/N (4.3-10f)	P/N (7-16f)	Coupling (dB)	Δ Coupling* (dB)	Isolation (dB)	Max VSWR	Dimensions (mm)					Model
						A	B	C	D	E	
02 300 211	02 300 201	3	± 0.9	≥ 19	1.3	166	114	199	190	80	1
02 300 212	02 300 202	4.7	± 0.5	≥ 20	1.25	152	100	185	176	60	2
02 300 213	02 300 203	7	± 0.6	≥ 20	1.25	152	100	185	176	60	3
02 300 214	02 300 204	10	± 0.5	≥ 23	1.25	152	100	185	176	60	3
02 300 216	02 300 206	20	± 1.2	≥ 35	1.25	152	100	185	176	60	3

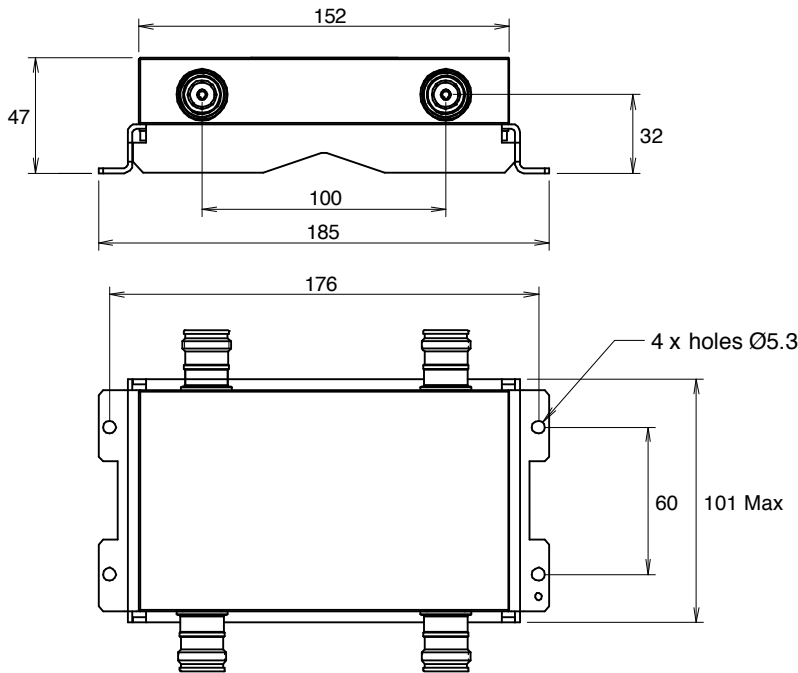
Option: Color white RAL 9002

*Direct line COM -> S1, Coupled line COM -> S2

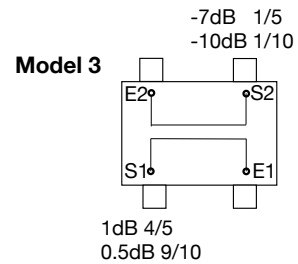
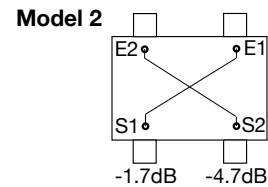
698-2700 MHz Hybrid



Frequency	698-2700 MHz
Impedance	50 Ω
Intermodulation IM3	≤-153 dBc for 2 carriers at +43 dBm
Temperature range	-30 to +70°C
Average power	
- If used as a combiner (2→1)	40 W
- If used as a divider (1→2)	80 W
Protection level	IP 67
Connector	7-16 f
Weight	1.5 kg



Dimensions in mm

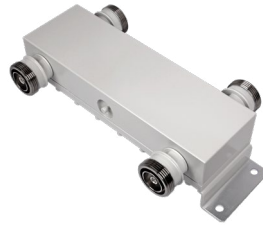


[Return to Search by Part Number](#)

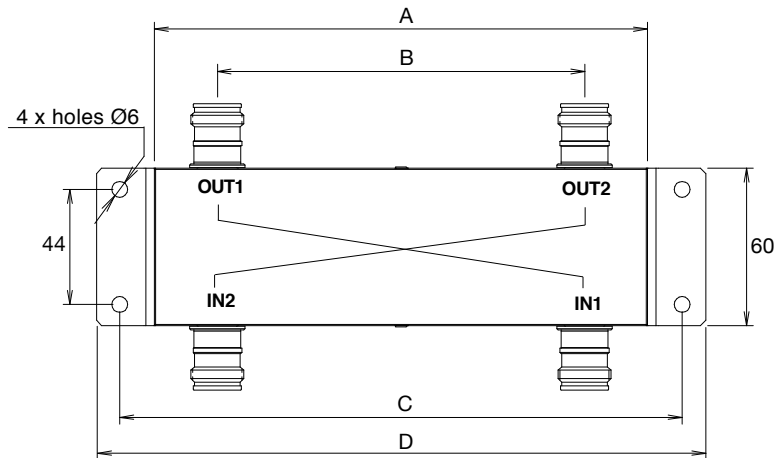
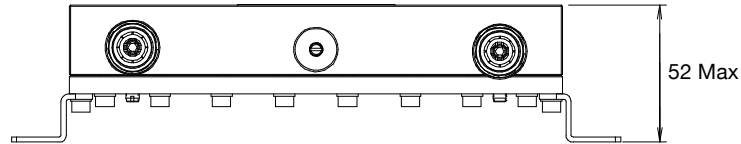
P/N (7-16f)	Coupling (dB)	Δ Coupling* (dB)	Isolation (dB)	Max VSWR	Model
02 300 207	4.7	± 0.5	≥ 20	1.25	2
02 300 209	7	± 0.6	≥ 20	1.25	3
02 300 210	10	± 0.5	≥ 23	1.25	3

Option: Color white RAL 9002
*Direct line E1 -> S1, Coupled line E1 -> S2

698-2700 MHz Hybrid



Frequency	698-2700 MHz
Impedance	50 Ω
Intermodulation IM3	≤-160 dBc for 2 carriers at +43 dBm
Temperature range	- 30 to +70°C
Average power	
- If used as a combiner (2→1)	100 W
- If used as a divider (1→2)	200 W
Protection level	IP 65
Color	White RAL 9002
Weight	1.3 kg



Dimensions in mm

[Return to Search by Part Number](#)

P/N (4.3-10f)	P/N (7-16f)	Coupling (dB)	Frequency (MHz)	Δ Coupling (dB)	Isolation (dB)	Max VSWR	Dimensions (mm)			
							A	B	C	D
14 900 179	14 900 169	3	698-960	± 0.5	≥ 29	1.25	131	83	157	176
14 900 180	14 900 170	4.7	698-960	± 0.5	≥ 25	1.25	131	83	157	176
14 900 172	14 900 162	3	698-2700	± 0.9	≥ 20	1.25	188	140	214	233
14 900 173	14 900 163	3	1710-2700	± 0.8	≥ 20	1.25	188	140	214	233

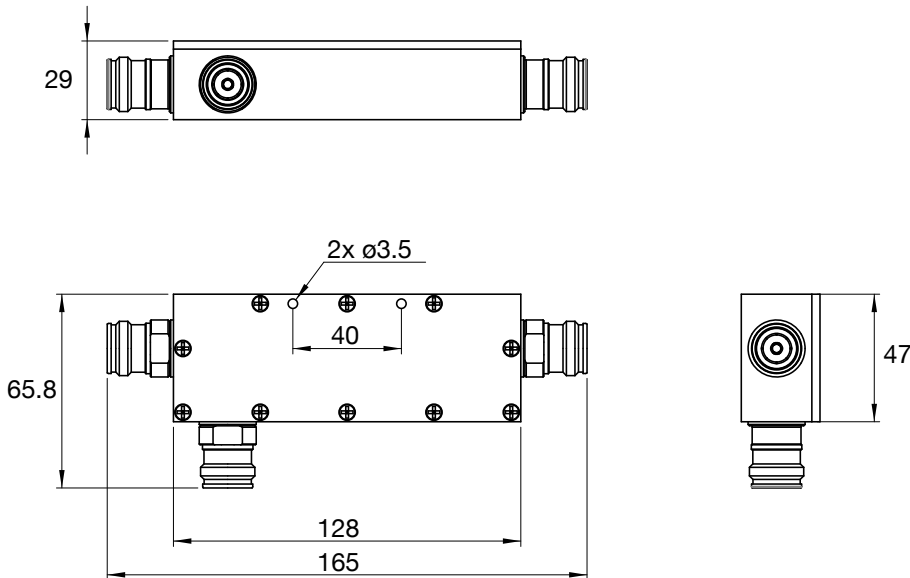
698-3800 MHz Directional



Couplers - Splitters



Frequency	698-3800 MHz
Impedance	50 Ω
Intermodulation IM3	≤-153 dBc for 2 carriers at +43 dBm (698-2700MHz)
Temperature range	- 30 to + 70°C
Average power	200 W
Protection level	IP 65
Weight	600 g



Dimensions in mm

[Return to Search by Part Number](#)

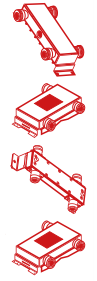
P/N (4.3-10f)	Coupling (dB)	Δ Coupling (dB)	Isolation (dB)	Max VSWR
29-0110	3	± 1.3	≥20	1.3
29-0111	5	± 1.3	≥20	1.3
29-0112	7	± 1.3	≥22	1.3
29-0113	10	± 1.6	≥25	1.3
29-0114	13	± 1.6	≥28	1.3
29-0115	15	± 1.7	≥30	1.3
29-0116	20	± 1.8	≥35	1.3
29-0124	30	± 2	≥43	1.3

Option: Color white RAL 9002, Fixation

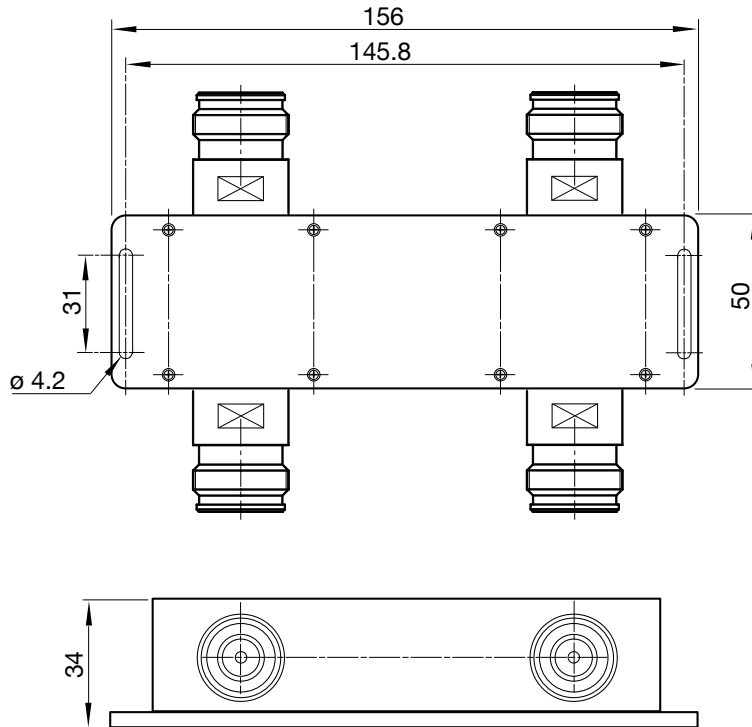
698-3800 MHz Hybrid



Couplers - Splitters



Frequency	698-3800 MHz
Impedance	50 Ω
Intermodulation IM3	≤-153 dBc for 2 carriers at +43 dBm
Temperature range	- 30 to +70°C
Average power @ 25°C	200 W
Connectors	4.3-10 f
Protection level	IP 65



Dimensions in mm

[Return to Search by Part Number](#)

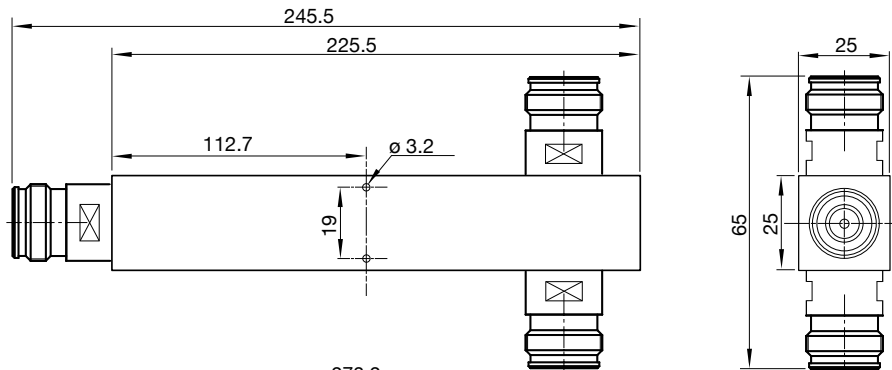
P/N (4.3-10 f)	Coupling (dB)	Frequency (MHz)	Δ Coupling (dB)	Isolation (dB)	Max VSWR
29-0117	3.1	698-3800	± 0.7	≥23	1.25

698-3800 MHz Power Splitter

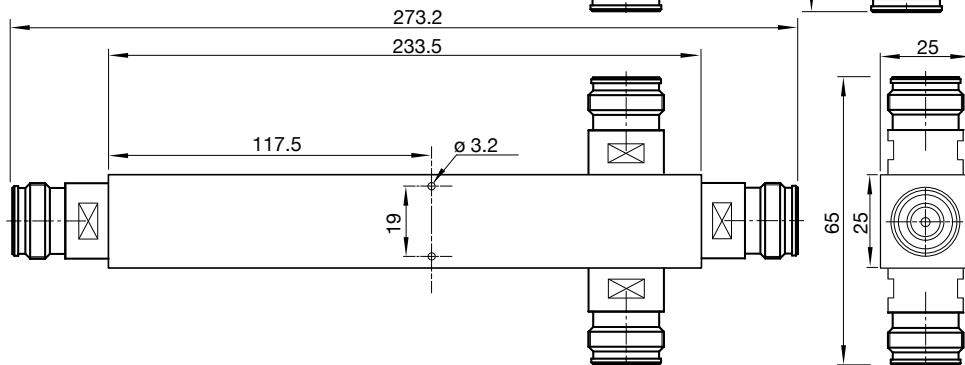


Frequency	698-3800 MHz
Impedance	50 Ω
Intermodulation IM3	≤-160 dBc for 2 carriers at +43 dBm
Temperature range	- 30 to +70°C
Average power @ 25°C	300 W
Connectors	4.3-10 f
Protection level	IP 65

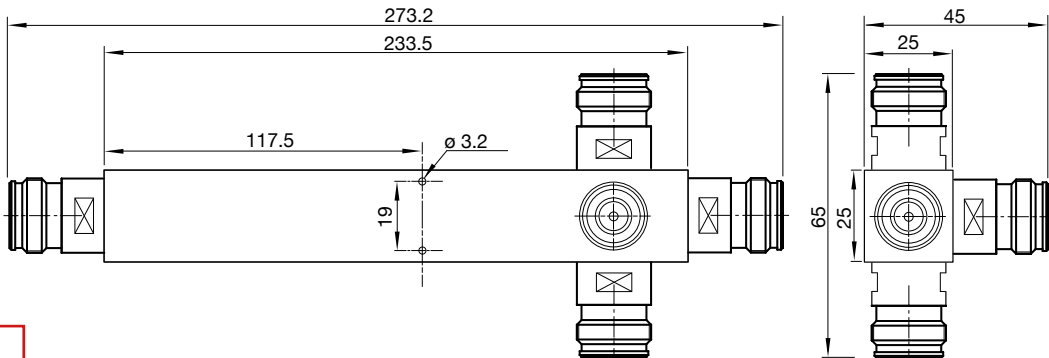
2 Ways



3 Ways



4 Ways



Dimensions in mm

[Return to Search by Part Number](#)

P/N (4.3-10 f)	Coupling (dB)	Nb of ways	Frequency (MHz)	Insertion loss (dB)	Max VSWR
29-0119	3	2	698-3800	<0.4	1.25
29-0120	4.8	3	698-3800	<0.6	1.25
29-0121	6	4	698-3800	<0.6	1.25

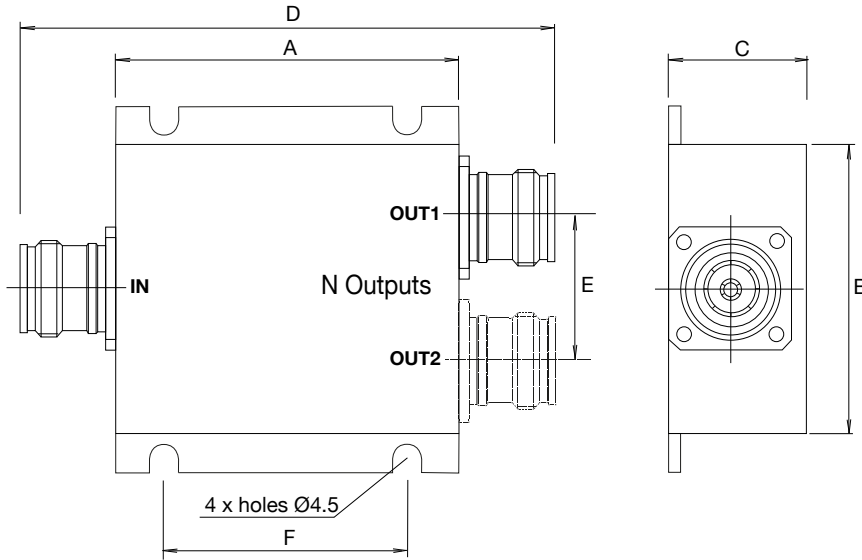


698-3800 MHz Splitter



Couplers - Splitters

Frequency	698-3800 MHz
Impedance	50 Ω
Intermodulation IM3	≤-153 dBc for 2 carriers at +43 dBm
Temperature range	- 30 to +70°C
Average power	50 W
Connector	N f
Protection level	IP 65



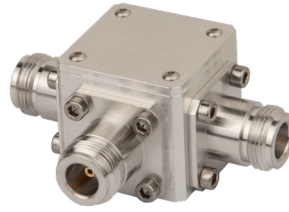
Dimensions in mm

[Return to Search by Part Number](#)

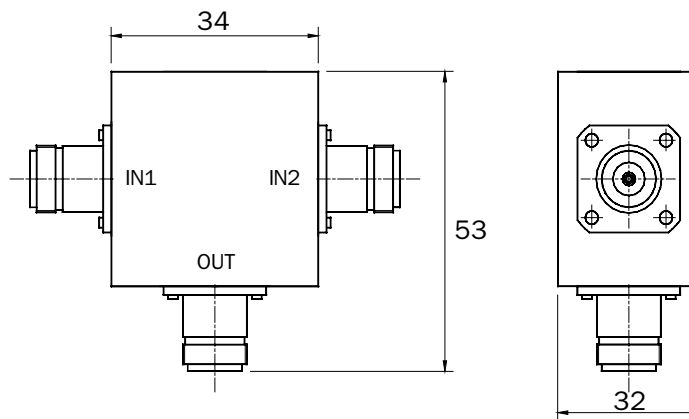
P/N (Nf)	Split loss (dB)	Frequency (MHz)	Insertion loss (dB)	Isolation (dB)	Max VSWR	N Outputs	A	B	C	D	E	F
30-0128	3	698-3800	≤ 0.8	≥ 20	1.30	2	60	72	20	96	40	40
30-0129	4.8	698-3800	≤ 0.8	≥ 18	1.30	3	77	74	22	113	25	31
30-0130	6	698-3800	≤ 1.0	≥ 18	1.30	4	71	104	20	107	28	40

Broadband Resistive Power Splitter 2 ways

Standards
NF C 96-315
MIL-DTL-3933



Frequency	DC – 3 GHz
Impedance	50 Ω
Max VSWR	≤ 1.3
Insertion loss	≤ 6 dB
Average power	5 W
Temperature range	-25 to 85°C
Protection level	IP 65
Weight	310 g



Dimensions in mm

[Return to Search by Part Number](#)

P/N	Connector
16-0291	N f



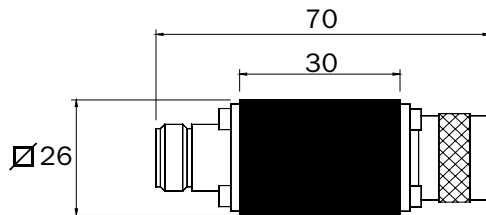
Impedance Matcher



Standards
NF C 96-315
MIL-DTL-3933



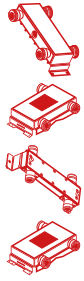
Frequency	DC - 1 GHz, DC - 1.8 GHz
Max VSWR	≤ 1.10
Temperature range	-55 to +125°C
Average power	0.5 W
Weight	110 g



Dimensions in mm

[Return to Search by Part Number](#)

P/N	Frequency (GHz)	Connector In	Connector Out	Impedance In ($\Omega \pm 5\%$)	Impedance Out ($\Omega \pm 5\%$)
15-3713	1	N m	N f	50	75
15-4563	1	N m	N f	75	50
15-4441	1.8	N m	N f	50	75





Search by Part Number

Part number	Page
02 300 201	P6
02 300 202	P6
02 300 203	P6
02 300 204	P6
02 300 206	P6
02 300 207	P7
02 300 209	P7
02 300 210	P7
02 300 211	P6
02 300 212	P6
02 300 213	P6
02 300 214	P6
02 300 216	P6
14 740 031 C	P3
14 740 101 C	P3
14 850 031 D	P4
14 850 047 B	P4
14 850 061 B	P4
14 850 101 F	P4
14 900 162	P8
14 900 163	P8
14 900 169	P8
14 900 170	P8
14 900 172	P8
14 900 173	P8
14 900 179	P8
14 900 180	P8
15-3713	P14
15-4441	P14
15-4563	P14
16-0291	P13

Part number	Page
29-0023	P5
29-0024	P5
29-0054	P5
29-0055	P5
29-0059	P5
29-0060	P5
29-0110	P9
29-0111	P9
29-0112	P9
29-0113	P9
29-0114	P9
29-0115	P9
29-0116	P9
29-0117	P10
29-0119	P11
29-0120	P11
29-0121	P11
29-0124	P9
29-3388	P5
30-0128	P12
30-0129	P12
30-0130	P12

