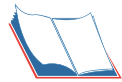
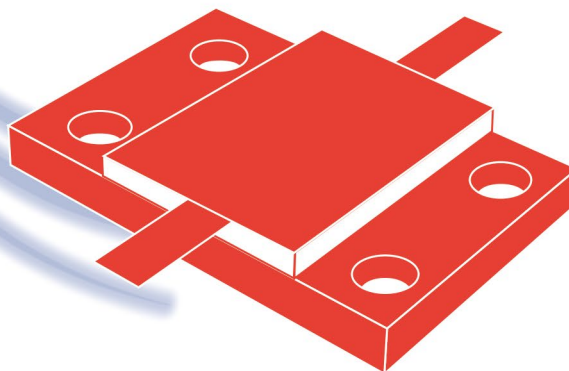


STRIPLINE RESISTORS



=> [Search by Part Number](#)





For Power Amplifiers, Couplers, Combiners & Resistors Networks

- ⇒ Easy Mounting on Cold Plate
- ⇒ Size 3020 to 190204
- ⇒ 10 W - 1650 W
- ⇒ Up to 4 GHz

Stripline Resistors

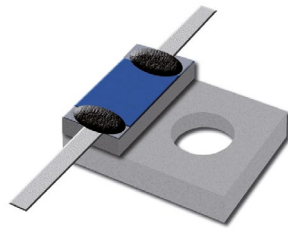


10 W 3 GHz AlN	3	800 W 1 GHz AlN	22
10 W 4 GHz BeO	4	800 W 1 GHz BeO	23
20 W 3 GHz AlN	5	800 W 1 GHz BeO High Voltage	24
25 W 4 GHz BeO	6	1000 W 1 GHz AlN	25
30 W 3 GHz BeO	7	1000 W 1 GHz BeO	26
60 W 2.5 GHz AlN	8	1000 W 1 GHz BeO High Voltage	27
60 W 2.5 GHz BeO	9	1200 W 1 GHz BeO	28
100 W 3 GHz BeO	10	1300 W 1 GHz BeO High Voltage	29
100 W 3 GHz BeO	11	1350 W 1 GHz BeO	30
150 W 2 GHz AlN	12	1400 W 1 GHz BeO High Voltage	31
150 W 2.5 GHz BeO	13	1500 W 1 GHz BeO	32
150 W 2.5 GHz BeO	14	1500 W 1 GHz BeO High Voltage	33
250 W 1 GHz AlN	15	1500 W 1 GHz BeO High Voltage	34
250 W 2.5 GHz BeO	16	1650 W 1 GHz BeO	35
400 W 1 GHz BeO	17	Search by Part Number	36
400 W 1.5 GHz AlN	18	Notes	37
500 W 1 GHz BeO	19	Notes	38
600 W 1 GHz AlN	20	Notes	39
750 W 1 GHz BeO High Voltage	21		

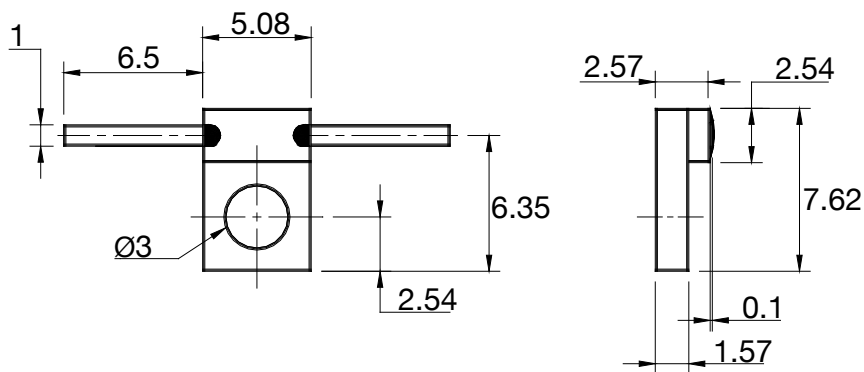
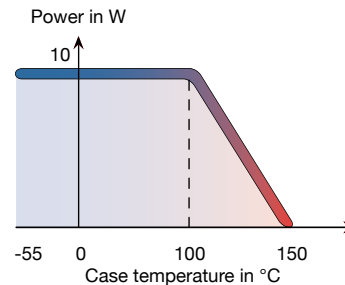
10 W 3 GHz AIN



Standards
NF C 96-315
MIL-DTL-39030



Substrate	AIN
Resistive film	Thick film
Tab	Ag
Protection film	Epoxy
Mounting flange/Plating	Cu/Ni
Tab attachment	Brazed with epoxy encapsulation
Size	3020



Dimensions in mm

Stripline Resistors



[Return to Search by Part Number](#)

P/N	Frequency (GHz)	Power (W)	Resistance* ($\Omega \pm 5\%$)	Capacitance** C_0 (pF)
39-0046	3	10	50	1
39-0098	3	10	100	1

mm	inch
0.1	0.004
1	0.039
1.57	0.062
2.54	0.100
2.57	0.101
3	0.118
5.08	0.200
6.35	0.250
6.5	0.256
7.62	0.300

* Others values on request

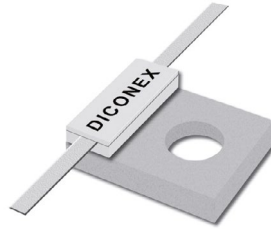
** C_0 is the value of capacitance measured in DC.

C_{HF} is the RF equivalent capacitance measured with NWA with one port grounded $C_{HF} = 1/3 C_0$

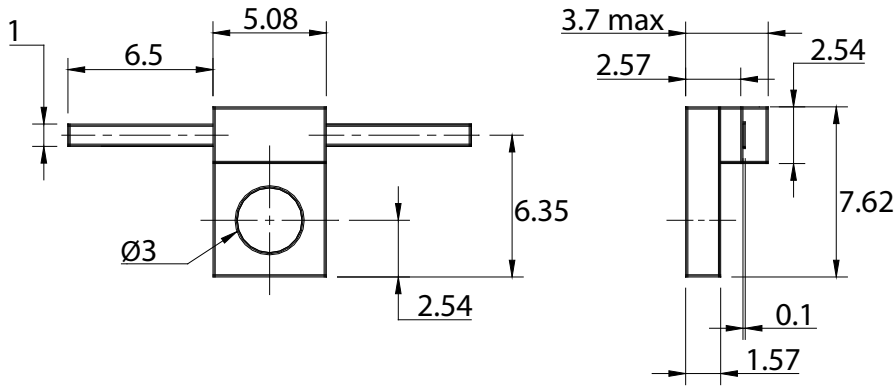
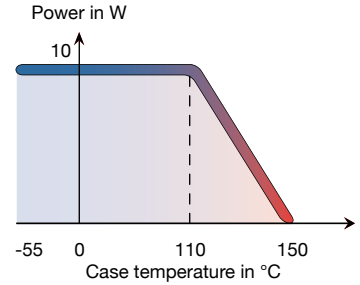
10 W 4 GHz BeO



Standards
NF C 96-315
MIL-DTL-39030



Substrate	BeO
Resistive film	Thick film
Tab	Ag
Mounting flange/Plating	Cu/Ni
Cover substrate	Al ₂ O ₃
Size	3020



Dimensions in mm

[Return to Search by Part Number](#)

P/N	Frequency (GHz)	Power (W)	Resistance* (Ω ± 5%)	Capacitance** C ₀ (pF)
39-0029	4	10	50	0.8
39-0155	4	10	75	0.8
39-0040	4	10	100	0.8
39-0107	4	10	200	0.8
39-0156	4	10	220	0.8

mm	inch
0.1	0.004
1	0.039
1.57	0.062
2.54	0.100
2.57	0.101
3	0.118
3.7	0.146
5.08	0.200
6.35	0.250
6.5	0.256
7.62	0.300

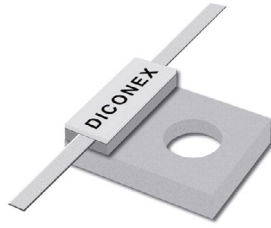
* Others values on request

** C₀ is the value of capacitance measured in DC.

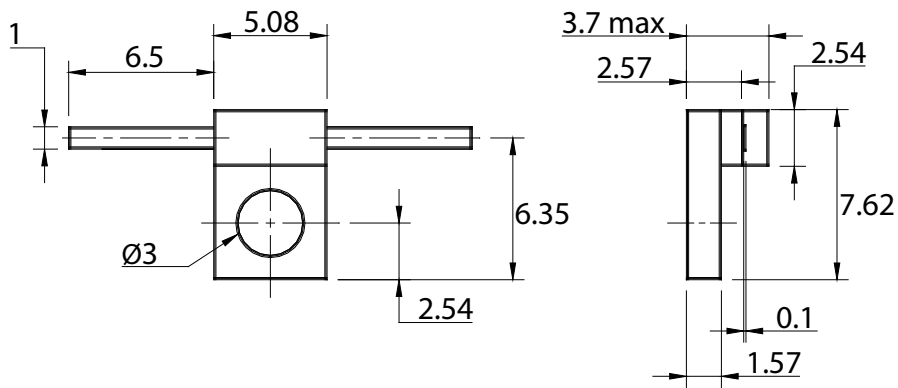
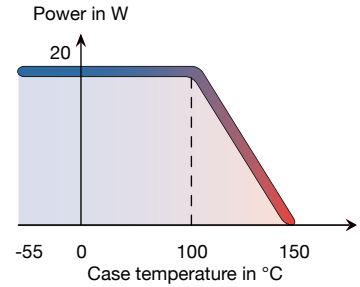
C_{HF} is the RF equivalent capacitance measured with NWA with one port grounded C_{HF} = 1/3 C₀

20 W 3 GHz AIN

Standards
NF C 96-315
MIL-DTL-39030



Substrate	AIN
Resistive film	Thick film
Tab	Ag
Mounting flange/Plating	Cu/Ni
Cover substrate	Al ₂ O ₃
Size	3020



Dimensions in mm

Return to Search by Part Number

P/N	Frequency (GHz)	Power (W)	Resistance* (Ω ± 5%)	Capacitance** C ₀ (pF)
39-0178	3	20	50	1
39-0179	3	20	100	1
39-0180	3	20	200	1
39-0181	3	20	400	1
39-0182	3	20	600	1
39-0183	3	20	800	1
39-0336	3	20	1000	1

mm	inch
0.1	0.004
1	0.039
1.57	0.062
2.54	0.100
2.57	0.101
3	0.118
3.7	0.146
5.08	0.200
6.35	0.250
6.5	0.256
7.62	0.300

* Others values on request

** C₀ is the value of capacitance measured in DC.

C_{HF} is the RF equivalent capacitance measured with NWA with one port grounded C_{HF} = 1/3 C₀



25 W 4 GHz BeO

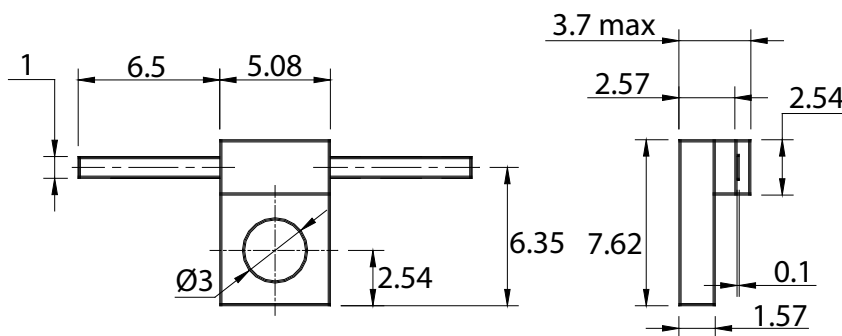
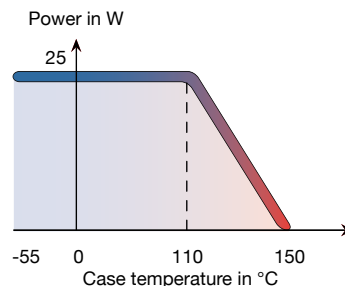


Standards
NF C 96-315
MIL-DTL-39030



Stripline Resistors

Substrate	BeO
Resistive film	Thick film
Tab	Ag
Mounting flange/Plating	Cu/Ni
Cover substrate	Al ₂ O ₃
Size	3020



Dimensions in mm

[Return to Search by Part Number](#)

P/N	Frequency (GHz)	Power (W)	Resistance* (Ω ± 5%)	Capacitance** C ₀ (pF)
39-0211	4	25	25	0.8
39-0176	4	25	100	0.8
39-0177	4	25	200	0.8
39-0171	4	25	300	0.8

mm	inch
0.1	0.004
1	0.039
1.57	0.062
2.54	0.100
2.57	0.101
3	0.118
3.7	0.146
5.08	0.200
6.35	0.250
6.5	0.256
7.62	0.300

* Others values on request

** C₀ is the value of capacitance measured in DC.

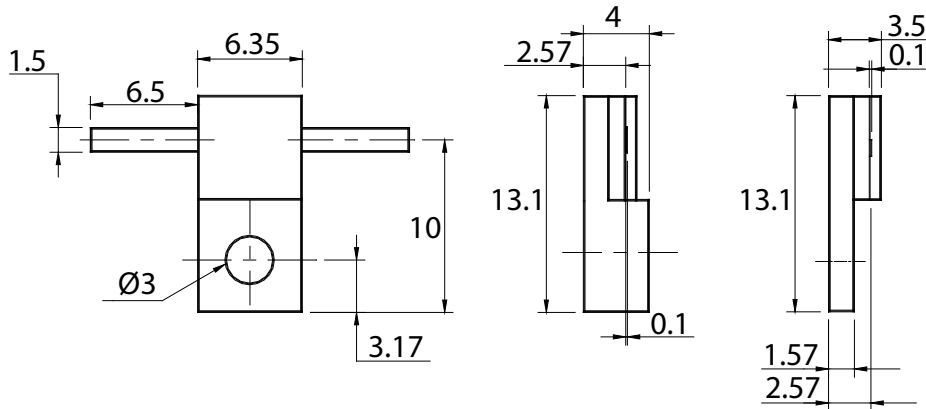
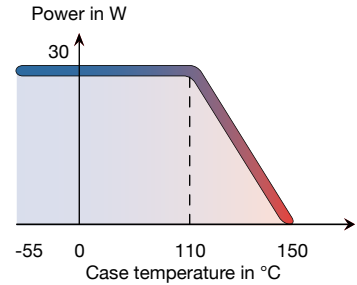
C_{HF} is the RF equivalent capacitance measured with NWA with one port grounded C_{HF} = 1/3 C₀

30 W 3 GHz BeO

Standards
NF C 96-315
MIL-DTL-39030



Substrate	BeO
Resistive film	Thick film
Tab	Ag
Mounting flange/Plating	Cu/Ni
Cover substrate	Al ₂ O ₃
Size	5225



39-3276
39-0074
39-4696
39-0075

39-0108
39-0234
39-0248
39-0249
39-0250

Dimensions in mm

Return to Search by Part Number

P/N	Frequency (GHz)	Power (W)	Resistance* (Ω ± 5%)	Capacitance** C ₀ (pF)
39-3276	2.5	30	50	2.1
39-0074	2.5	30	75	2.1
39-4696	2.5	30	100	2.1
39-0075	2.5	30	125	2.1
39-0234	2.5	30	50	2.1
39-0248	2.5	30	100	2.1
39-0249	3	30	50	1
39-0108	3	30	100	1
39-0250	3	30	200	1

mm	inch
0.1	0.004
1.5	0.059
1.57	0.062
2.57	0.101
3	0.118
3.17	0.125
3.5	0.138
4	0.157
6.35	0.250
6.5	0.256
10	0.394
13.1	0.516

* Others values on request

** C₀ is the value of capacitance measured in DC.

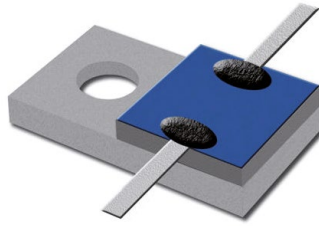
C_{HF} is the RF equivalent capacitance measured with NWA with one port grounded C_{HF} = 1/3 C₀



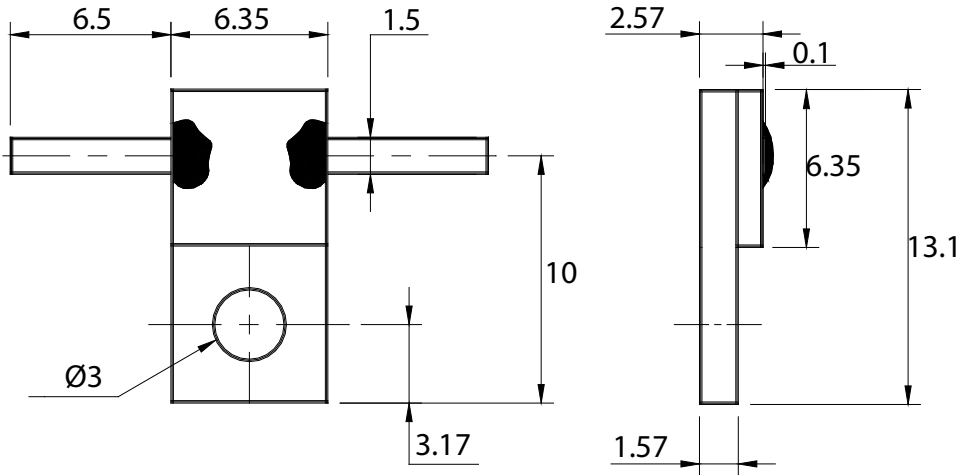
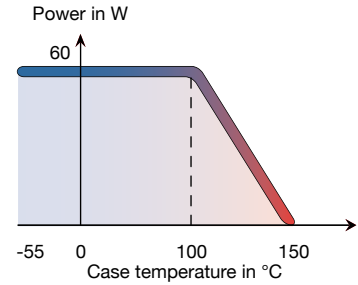
60 W 2.5 GHz AIN



Standards
NF C 96-315
MIL-DTL-39030



Substrate	AIN
Resistive film	Thick film
Tab	Ag
Protection film	Epoxy
Mounting flange/Plating	Cu/Ni
Tab attachment	Brazed with epoxy encapsulation
Size	5225



Dimensions in mm

[Return to Search by Part Number](#)

P/N	Frequency (GHz)	Power (W)	Resistance* ($\Omega \pm 5\%$)	Capacitance** C_0 (pF)
39-0095	2.5	60	50	2.1
39-0096	2.5	60	100	2.1

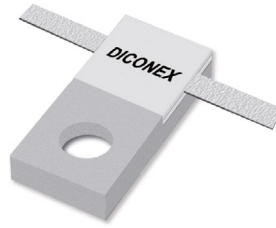
mm	inch
0.1	0.004
1.5	0.059
1.57	0.062
2.57	0.101
3	0.118
3.09	0.122
3.17	0.125
3.80	0.150
6.35	0.250
6.5	0.256
10	0.394
13.1	0.516

* Others values on request

** C_0 is the value of capacitance measured in DC.

C_{HF} is the RF equivalent capacitance measured with NWA with one port grounded $C_{HF} = 1/3 C_0$

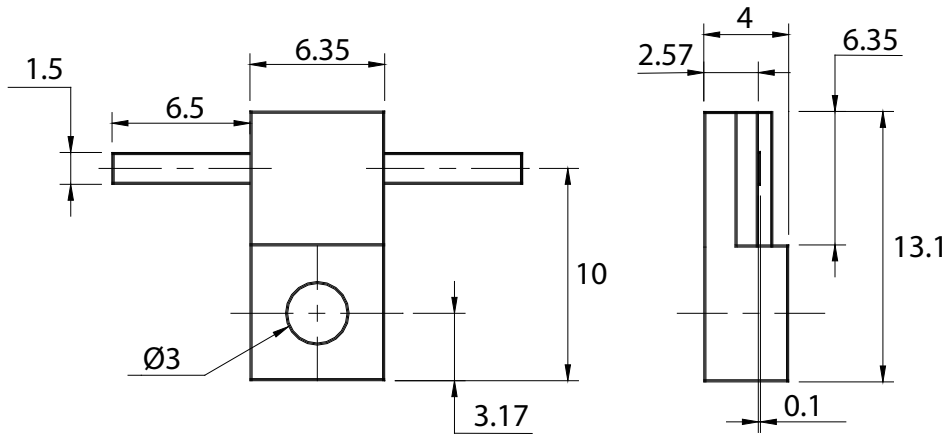
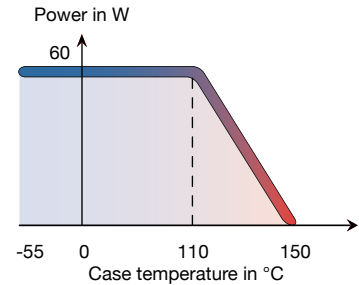
60 W 2.5 GHz BeO



Standards
NF C 96-315
MIL-DTL-39030



Substrate	BeO
Resistive film	Thick film
Tab	Ag
Mounting flange/Plating	Cu/Ni
Cover substrate	Al ₂ O ₃
Size	5225



Dimensions in mm



Stripline Resistors

[Return to Search by Part Number](#)

P/N	Frequency (GHz)	Power (W)	Resistance* (Ω ± 5%)	Capacitance** C ₀ (pF)
39-0184	2.5	60	12.5	2.1
39-0099	2.5	60	50	2.1
39-0091	2.5	60	100	2.1
39-0169	2.5	60	200	2.1

mm	inch
0.1	0.004
1.5	0.059
2.57	0.101
3	0.118
3.17	0.125
4	0.157
6.35	0.250
6.5	0.256
10	0.394
13.1	0.516

* Others values on request

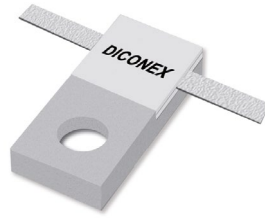
** C₀ is the value of capacitance measured in DC.

C_{HF} is the RF equivalent capacitance measured with NWA with one port grounded C_{HF} = 1/3 C₀

100 W 3 GHz BeO

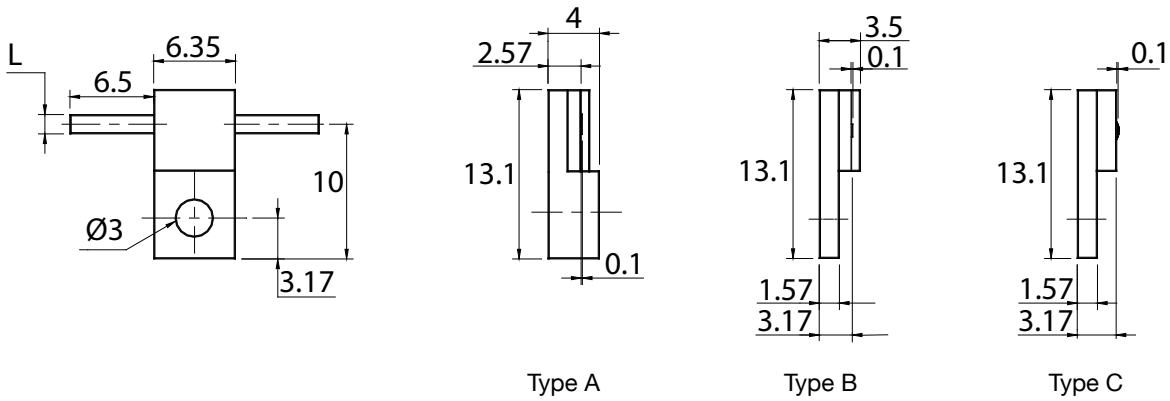
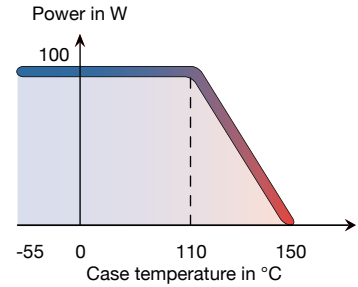


Standards
NF C 96-315
MIL-DTL-39030



Stripline Resistors

Substrate	BeO
Resistive film	Thick film
Tab	Ag
Mounting flange/Plating	Cu/Ni
Cover substrate	Al ₂ O ₃
Tab attachment	Brazed with epoxy encapsulation (39-0139, 39-0147, 39-0218, 39-0219)
Size	5225



Dimensions in mm

[Return to Search by Part Number](#)

P/N	Frequency (GHz)	Power (W)	Resistance* (Ω ± 5%)	Capacitance** C ₀ (pF)	Type	L (mm)
39-0141	2.5	100	50	2.1	A	1.5
39-0115	2.5	100	100	2.1	A	1.5
39-0207	2.5	100	200	2.1	A	1.5
39-0208	2.5	100	300	2.1	A	1.5
39-0209	2.5	100	400	2.1	A	1.5
39-0210	2.5	100	500	2.1	A	1.5
39-0162	3	100	50	1.2	B	1
39-0161	3	100	100	1.2	B	1
39-0214	3	100	220	1.2	B	1
39-0215	3	100	470	1.2	B	1
39-0147	3	100	50	1	C	1
39-0139	3	100	100	1	C	1
39-0218	3	100	200	1	C	1
39-0219	3	100	300	1	C	1

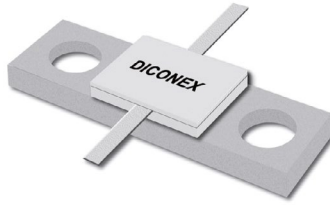
mm	inch
0.1	0.004
1	0.039
1.5	0.059
1.57	0.062
2.57	0.101
3	0.118
3.17	0.125
4	0.157
6.35	0.250
6.5	0.256
10	0.394
13.1	0.516

* Others values on request

** C₀ is the value of capacitance measured in DC.

C_{HF} is the RF equivalent capacitance measured with NWA with one port grounded C_{HF} = 1/3 C₀

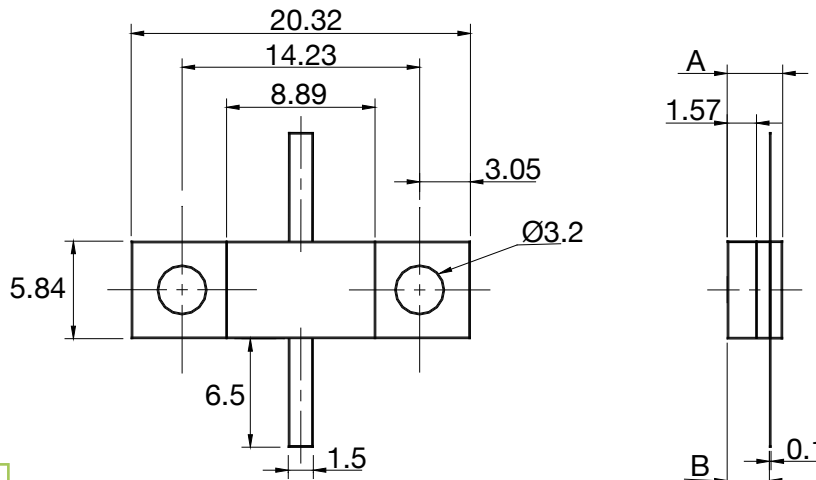
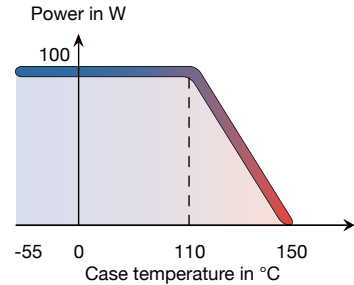
100 W 3 GHz BeO



Standards
NF C 96-315
MIL-DTL-39030



Substrate	BeO
Resistive film	Thick film
Tab	Ag
Mounting flange/Plating	Cu/Ni
Cover substrate	Al ₂ O ₃
Size	8023



Dimensions in mm

[Return to Search by Part Number](#)

P/N	Frequency (GHz)	Power (W)	Resistance* (Ω ± 5%)	Capacitance** C ₀ (pF)	A (mm)	B (mm)
39-0144	2.5	100	10	1.8	4.3	3.07
39-0149	2.5	100	15	1.8	4.3	3.07
39-0045	2	100	50	2.4	3.7	2.57
39-0033	3	100	50	1.5	4.3	3.07
39-0329	2.5	100	60	1.8	4.3	3.07
39-0028	2	100	100	2.4	3.7	2.57
39-0032	3	100	100	1.5	4.3	3.07
39-0114	3	100	100***	1.2	4.3	3.07
39-0150	2.5	100	200	1.8	4.3	3.07
39-0104	3	100	200	1.5	4.3	3.07
39-0142	2.5	100	250	1.8	4.3	3.07
39-0105	3	100	300	1.5	4.3	3.07
39-0106	3	100	400	1.5	4.3	3.07
39-0134	3	100	600	1.5	4.3	3.07
39-0135	3	100	800	1.5	4.3	3.07

mm	inch
0.1	0.004
1.5	0.059
1.57	0.062
2.57	0.101
3	0.118
3.05	0.120
3.07	0.121
3.7	0.146
4.3	0.169
5.84	0.230
6.5	0.256
8.89	0.350
14.23	0.560
20.32	0.800

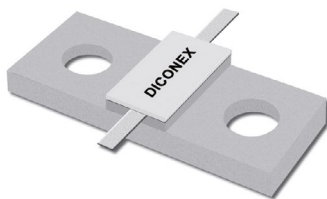
* Others values on request
 ** C₀ is the value of capacitance measured in DC.
 C_{HF} is the RF equivalent capacitance measured with NWA with one port grounded C_{HF} = 1/3 C₀
 *** Resistance (Ω ± 2%)



150 W 2 GHz AIN

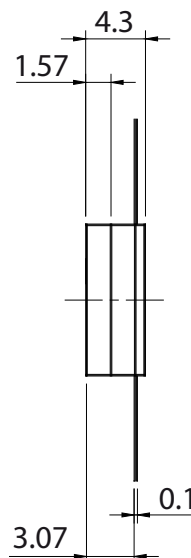
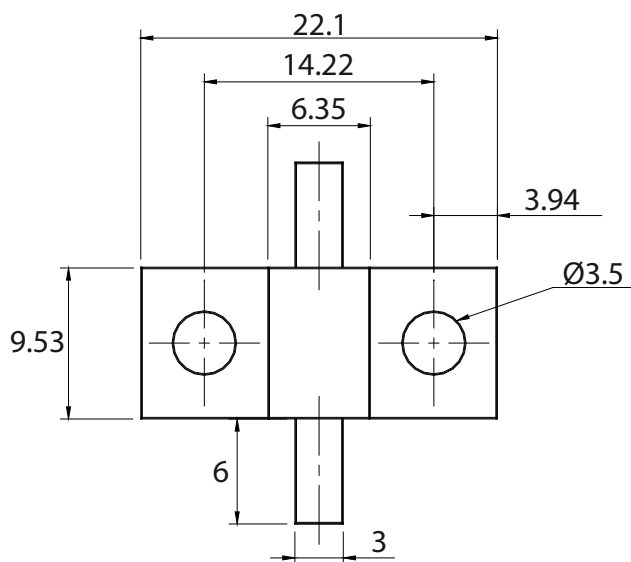
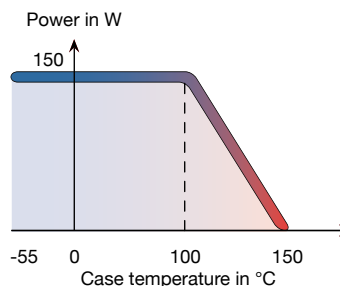


Standards
NF C 96-315
MIL-DTL-39030



Stripline Resistors

Substrate	AIN
Resistive film	Thick film
Tab	Ag
Mounting flange/Plating	Cu/Ni
Cover substrate	Al ₂ O ₃
Size	8737



Dimensions in mm

[Return to Search by Part Number](#)

P/N	Frequency (GHz)	Power (W)	Resistance* (Ω ± 5%)	Capacitance ** C ₀ (pF)
39-0192	2	150	50	2.4
39-0159	2	150	100	2.4

mm	inch
0.1	0.004
1.57	0.062
3	0.118
3.07	0.121
3.5	0.138
3.94	0.155
4.3	0.169
6	0.236
6.35	0.250
9.53	0.375
14.22	0.560
22.1	0.870

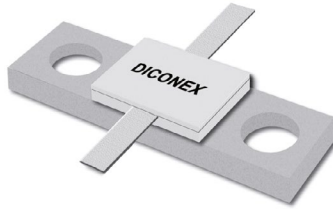
* Others values on request

** C₀ is the value of capacitance measured in DC.

C_{HF} is the RF equivalent capacitance measured with NWA with one port grounded C_{HF} = 1/3 C₀



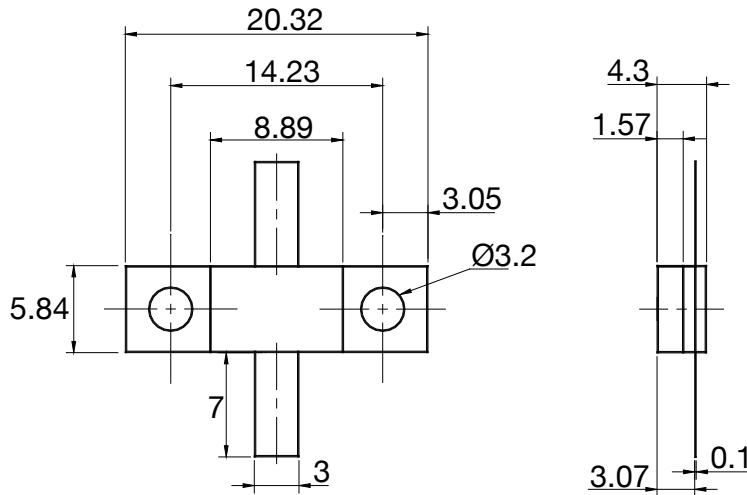
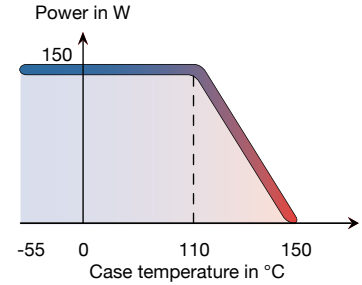
150 W 2.5 GHz BeO



Standards
NF C 96-315
MIL-DTL-39030



Substrate	BeO
Resistive film	Thick film
Tab	Ag
Mounting flange/Plating	Cu/Ni
Cover substrate	Al ₂ O ₃
Size	8023



Dimensions in mm



Return to Search by Part Number

P/N	Frequency (GHz)	Power (W)	Resistance* (Ω ± 5%)	Capacitance** C ₀ (pF)
39-0246	2.5	150	50	2
39-0130	2.5	150	100	2
39-0311	2.5	150	150	2

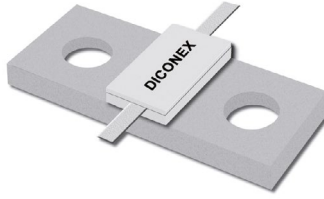
mm	inch
0.1	0.004
1.57	0.062
3	0.118
3.05	0.120
3.07	0.121
3.2	0.126
4.3	0.169
5.84	0.230
7	0.275
8.89	0.350
14.23	0.560
20.32	0.800

* Others values on request
 ** C₀ is the value of capacitance measured in DC.
 C_{HF} is the RF equivalent capacitance measured with NWA with one port grounded C_{HF} = 1/3 C₀

150 W 2.5 GHz BeO

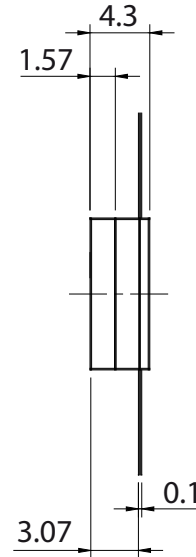
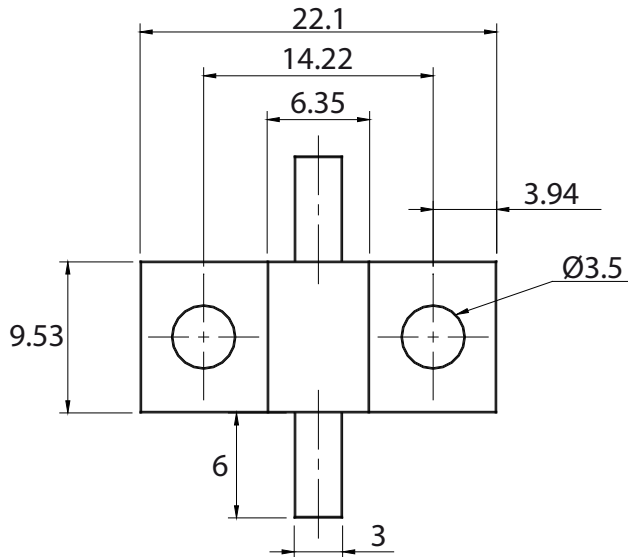
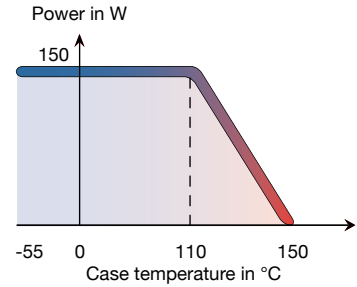


Standards
NF C 96-315
MIL-DTL-39030



Stripline Resistors

Substrate	BeO
Resistive film	Thick film
Tab	Ag
Mounting flange/Plating	Cu/Ni
Cover substrate	Al ₂ O ₃
Size	8737



Dimensions in mm

[Return to Search by Part Number](#)

P/N	Frequency (GHz)	Power (W)	Resistance* (Ω ± 5%)	Capacitance ** C ₀ (pF)
39-0069	2.5	150	50	2.2
39-0050	2.5	150	100	2.2
39-0119	2.5	150	200	2.2

mm	inch
0.1	0.004
1.57	0.062
3	0.118
3.07	0.121
3.5	0.138
3.94	0.155
4.3	0.169
6	0.236
6.35	0.250
9.53	0.375
14.22	0.560
22.1	0.870

* Others values on request

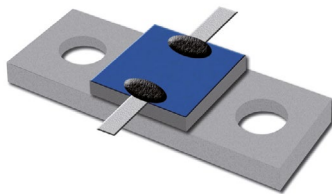
** C₀ is the value of capacitance measured in DC.

C_{HF} is the RF equivalent capacitance measured with NWA with one port grounded C_{HF} = 1/3 C₀

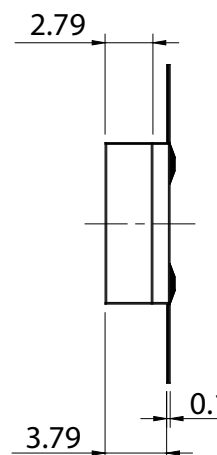
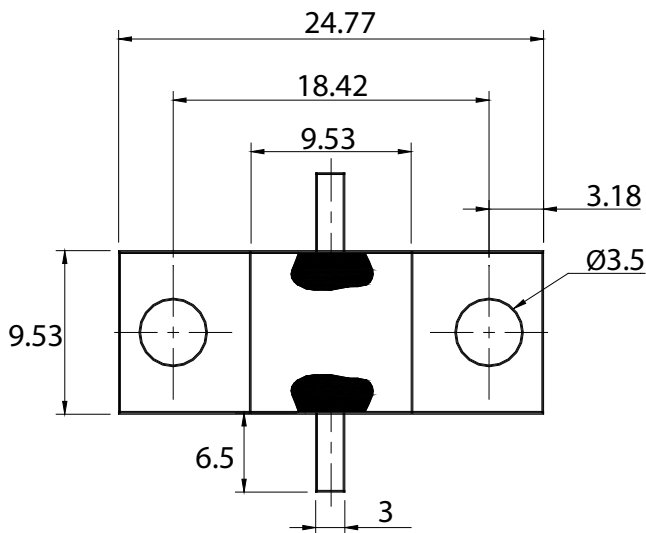
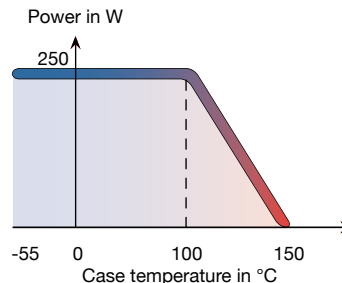
250 W 1 GHz AIN



Standards
NF C 96-315
MIL-DTL-39030



Substrate	AIN
Resistive film	Thick film
Tab	Ag
Protection film	Epoxy
Mounting flange/Plating	Cu/Ni
Tab attachment	Brazed with epoxy encapsulation
Size	9737



Stripline Resistors

Dimensions in mm

[Return to Search by Part Number](#)

P/N	Frequency (GHz)	Power (W)	Resistance* ($\Omega \pm 5\%$)	Capacitance ** C_0 (pF)
39-0174	1	250	50	4.2
39-0175	1	250	100	4.2

mm	inch
0.1	0.004
2.79	0.110
3	0.118
3.18	0.125
3.5	0.138
3.79	0.149
6.5	0.256
9.53	0.375
18.42	0.725
24.77	0.975

* Others values on request

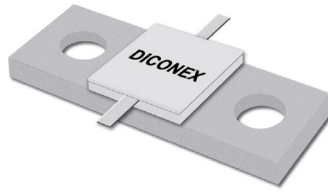
** C_0 is the value of capacitance measured in DC.

C_{HF} is the RF equivalent capacitance measured with NWA with one port grounded $C_{HF} = 1/3 C_0$

250 W 2.5 GHz BeO

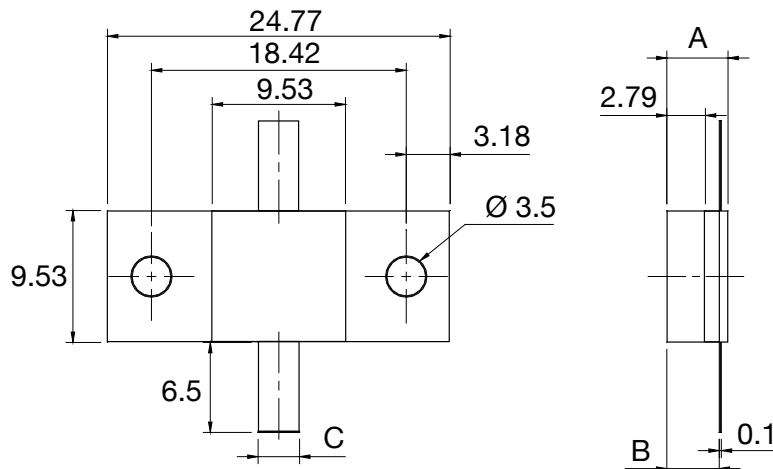
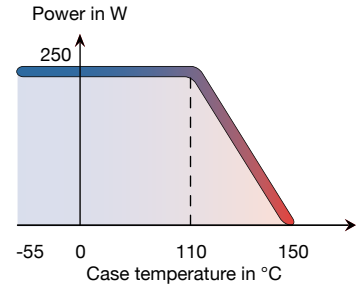


Standards
NF C 96-315
MIL-DTL-39030



Stripline Resistors

Substrate	BeO
Resistive film	Thick film
Tab/Plating	Ag
Mounting flange/Plating	Cu/Ni
Cover substrate	Al ₂ O ₃
Size	9737



Dimensions in mm

[Return to Search by Part Number](#)

P/N	Frequency (GHz)	Power (W)	Resistance* (Ω ± 5%)	Capacitance ** C ₀ (pF)	A (mm)	B (mm)	C (mm)
39-0191	2.5	250	8.3	2	5.7	4.69	1.5
39-0151	1.5	250	10	3.7	4.9	3.8	3
39-0083	1	250	12.5	4.1	4.9	3.8	3
39-0152	1.5	250	15	3.7	4.9	3.8	3
39-0117	1	250	25	4.1	4.9	3.8	3
39-0056	1	250	50	4.1	4.9	3.8	3
39-0079	1.5	250	50	3.7	4.9	3.8	3
39-0140	2.5	250	50	2	5.7	4.69	1.5
39-0057	1	250	100	4.1	4.9	3.8	3
39-0068	1.5	250	100	3.7	4.9	3.8	3
39-0118	2.5	250	100	2	5.7	4.69	1.5
39-0137	1.5	250	150	3.7	4.9	3.8	3
39-0153	1.5	250	200	3.7	4.9	3.8	3
39-0138	1.5	250	240	3.7	4.9	3.8	3
39-0154	1.5	250	250	3.7	4.9	3.8	3
39-0143	1.5	250	350	3.7	4.9	3.8	3

mm	inch
0.1	0.004
1.5	0.059
2.79	0.110
3	0.118
3.18	0.125
3.5	0.138
3.8	0.149
4.69	0.185
4.9	0.193
5.7	0.224
6.5	0.256
9.53	0.375
18.42	0.725
24.77	0.975

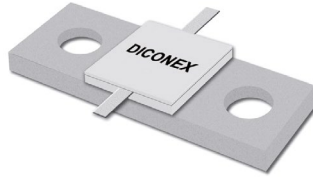
* Others values on request

** C₀ is the value of capacitance measured in DC.

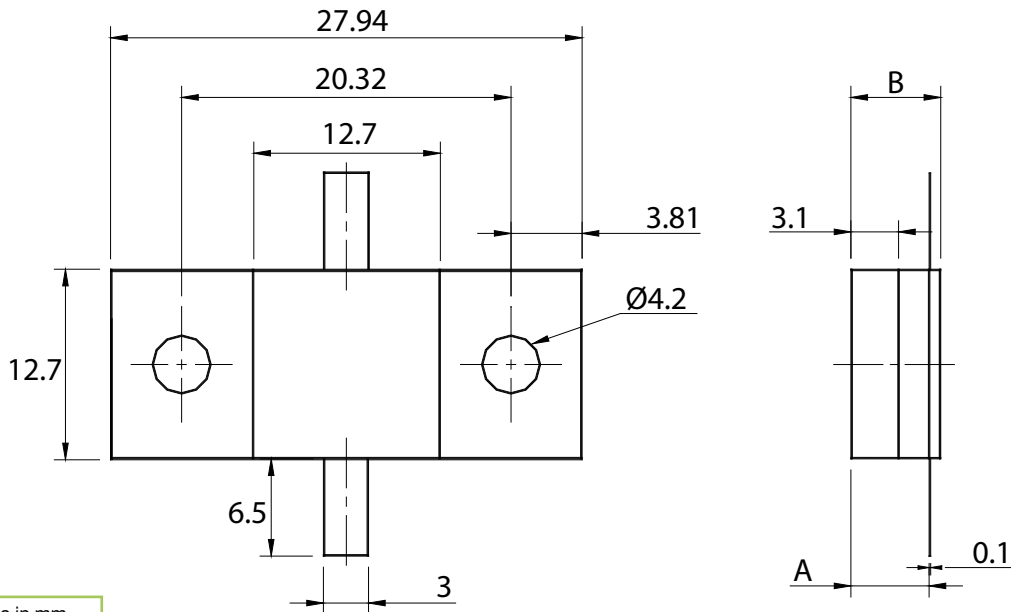
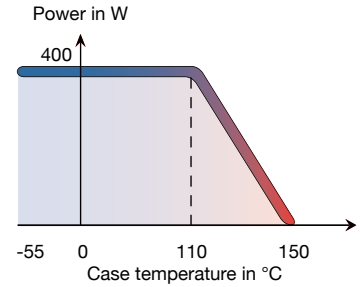
C_{HF} is the RF equivalent capacitance measured with NWA with one port grounded C_{HF} = 1/3 C₀

400 W 1 GHz BeO

Standards
NF C 96-315
MIL-DTL-39030



Substrate	BeO
Resistive film	Thick film
Tab	Ag
Mounting flange/Plating	Cu/Ni
Cover substrate	Al ₂ O ₃
Size	11050



Dimensions in mm



Return to Search by Part Number

P/N	Frequency (GHz)	Power (W)	Resistance* (Ω ± 5%)	Capacitance** C ₀ (pF)	A (mm)	B (mm)
39-0216	0.5	400	25	7.2	4.2	5.1
39-0166	0.5	400	50	7.2	4.2	5.1
39-0167	0.5	400	100	7.2	4.2	5.1
39-0217	1	400	25	4.2	5.1	6
39-0168	1	400	50	4.2	5.1	6
39-0127	1	400	100	4.2	5.1	6
39-0238	1	400	150	4.2	5.1	6

mm	inch
0.1	0.004
3	0.118
3.1	0.125
3.81	0.150
4.2	0.165
5.1	0.200
6	0.236
6.5	0.256
12.7	0.500
20.32	0.800
27.94	1.100

* Others values on request

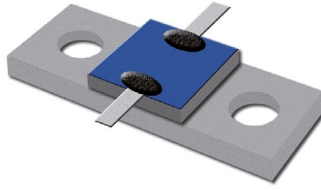
** C₀ is the value of capacitance measured in DC.

C_{HF} is the RF equivalent capacitance measured with NWA with one port grounded C_{HF} = 1/3 C₀

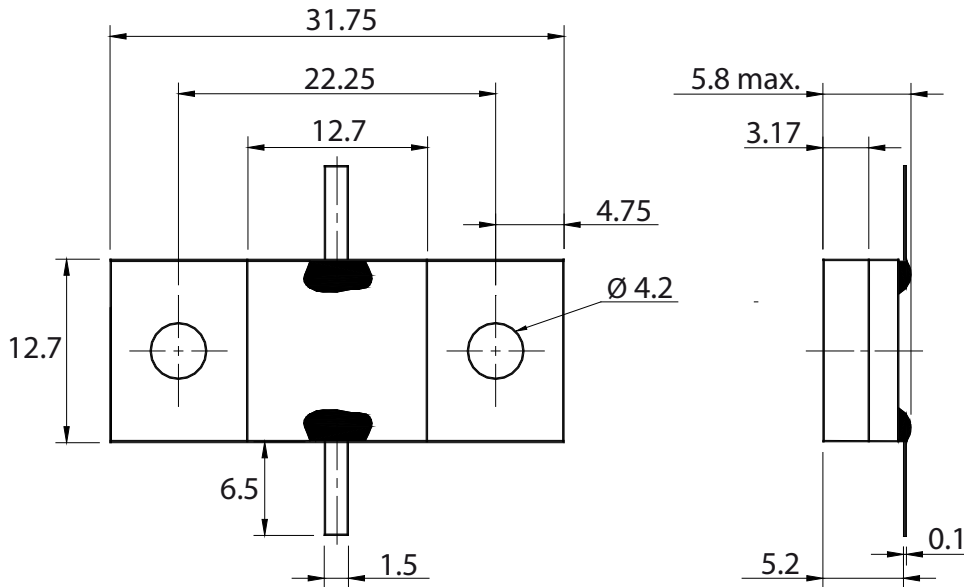
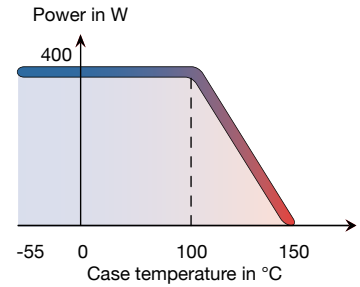
400 W 1.5 GHz AIN



Standards
NF C 96-315
MIL-DTL-39030



Substrate	AIN
Resistive film	Thick film
Tab	Ag
Protection film	Epoxy
Mounting flange/Plating	Cu/Ni
Tab attachment	Brazed with epoxy encapsulation
Size	12550



Dimensions in mm

Stripline Resistors



[Return to Search by Part Number](#)

P/N	Frequency (GHz)	Power (W)	Resistance* ($\Omega \pm 5\%$)	Capacitance** C_0 (pF)
39-0111	1.5	400	50	3.5
39-0112	1.5	400	100	3.5

mm	inch
0.1	0.004
1.5	0.059
3.17	0.125
4.2	0.165
4.75	0.187
5.2	0.200
5.8	0.228
6.5	0.256
12.7	0.500
22.25	0.876
31.75	1.250

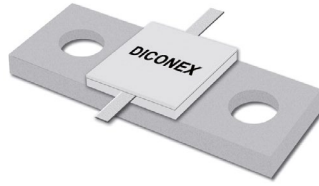
* Others values on request

** C_0 is the value of capacitance measured in DC.

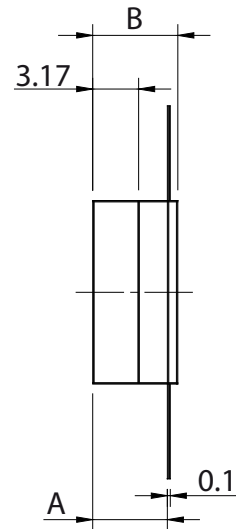
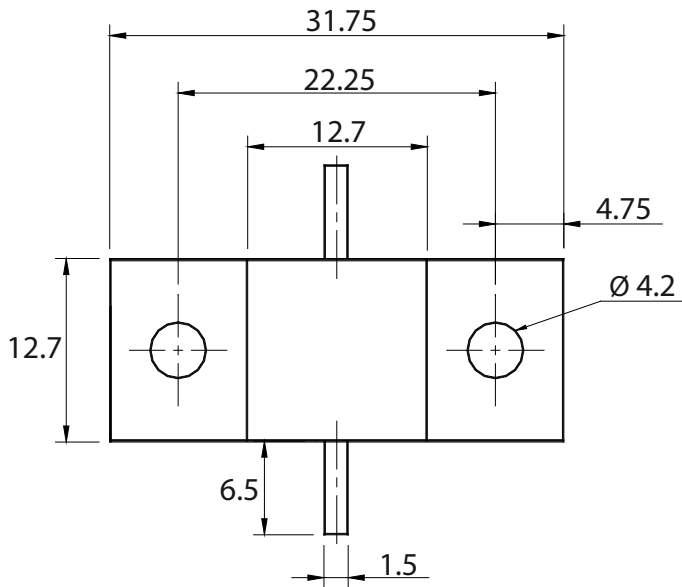
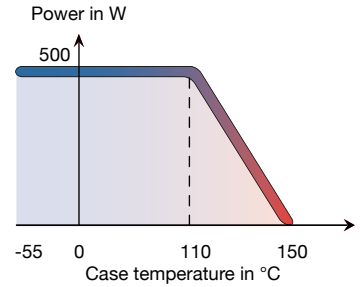
C_{HF} is the RF equivalent capacitance measured with NWA with one port grounded $C_{HF} = 1/3 C_0$

500 W 1 GHz BeO

Standards
NF C 96-315
MIL-DTL-39030



Substrate	BeO
Resistive film	Thick film
Tab	Ag
Mounting flange/Plating	Cu/Ni
Cover substrate	Al ₂ O ₃
Size	12550



Dimensions in mm

Return to Search by Part Number

P/N	Frequency (GHz)	Power (W)	Resistance* (Ω ± 5%)	Capacitance** (C ₀ pF)	A (mm)	B (mm)
39-0081	0.5	500	39	7.2	4.2	5.1
39-0060	0.5	500	50	7.2	4.2	5.1
39-0063	0.5	500	100	7.2	4.2	5.1
39-0189	1	500	12.5	4.2	5.1	6
39-0237	1	500	25	4.2	5.1	6
39-0071	1	500	50	4.2	5.1	6
39-0072	1	500	100	4.2	5.1	6

mm	inch
0.1	0.004
1.5	0.059
3.17	0.125
4.2	0.165
4.75	0.187
5.1	0.201
6	0.236
6.5	0.256
12.7	0.500
22.25	0.876
31.75	1.250

* Others values on request

** C₀ is the value of capacitance measured in DC.

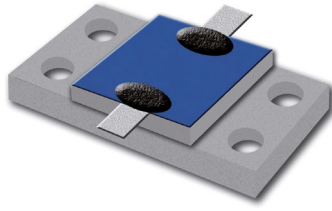
C_{HF} is the RF equivalent capacitance measured with NWA with one port grounded C_{HF} = 1/3 C₀



600 W 1 GHz AIN

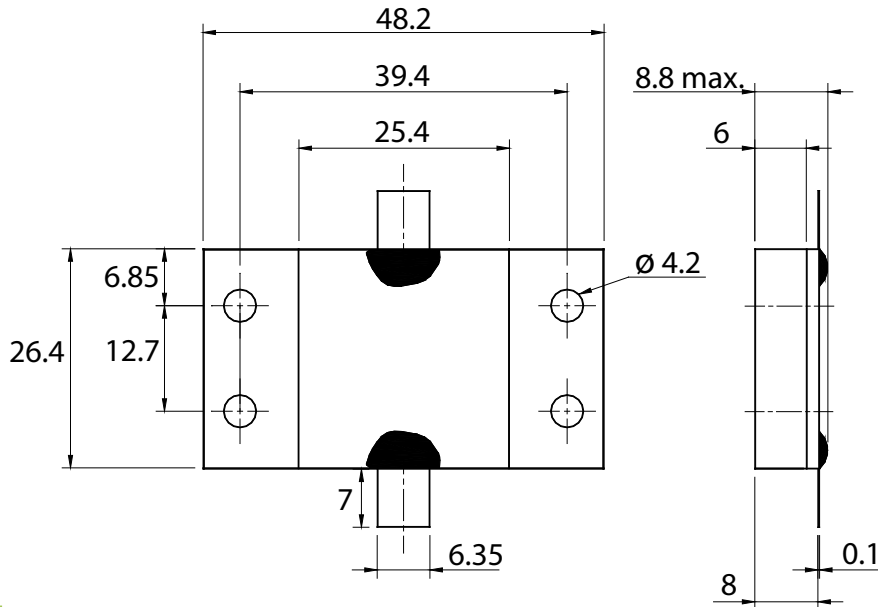
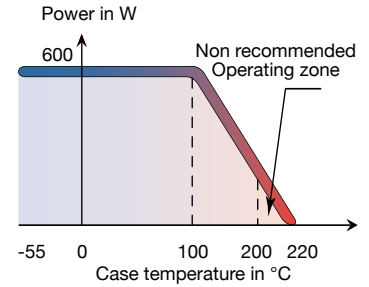


Standards
NF C 96-315
MIL-DTL-39030



Stripline Resistors

Substrate	AIN
Resistive film	Thick film
Tab/Plating	CuBe/Ag
Protection film	Epoxy
Mounting flange/Plating	Cu/Ni
Tab attachment	Brazed with epoxy encapsulation
Size	190104



Dimensions in mm

[Return to Search by Part Number](#)

P/N	Frequency (GHz)	Power (W)	Resistance* ($\Omega \pm 5\%$)	Capacitance** (C_0 pF)
39-0145	1	600	50	14
39-0146	1	600	100	14

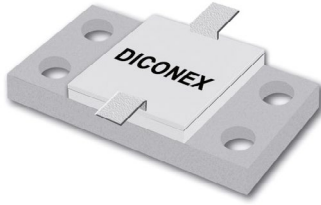
mm	inch
0.1	0.004
4.2	0.165
6	0.236
6.35	0.250
6.85	0.270
7	0.276
8	0.315
8.8	0.346
12.7	0.500
25.4	1.000
26.4	1.039
39.4	1.551
48.2	1.898

* Others values on request

** C_0 is the value of capacitance measured in DC.

C_{HF} is the RF equivalent capacitance measured with NWA with one port grounded $C_{HF} = 1/3 C_0$

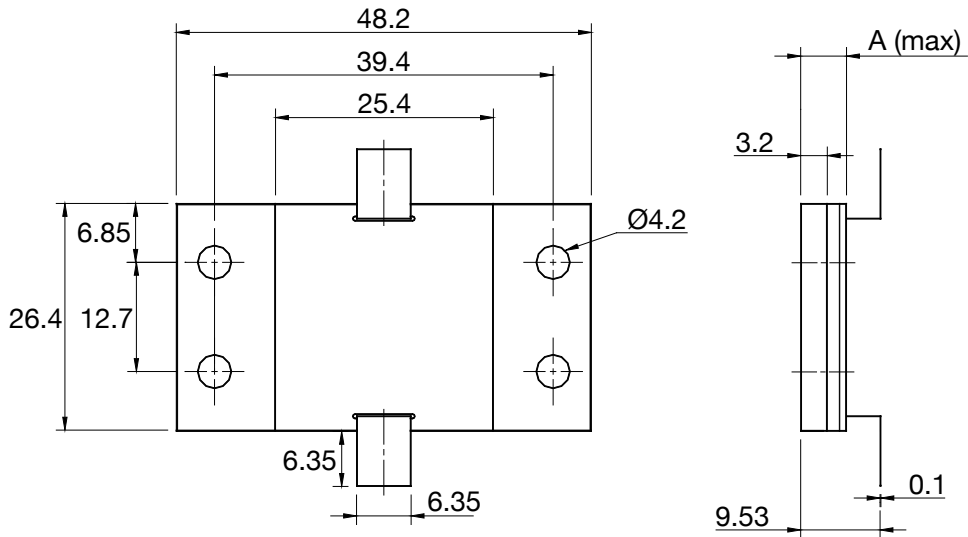
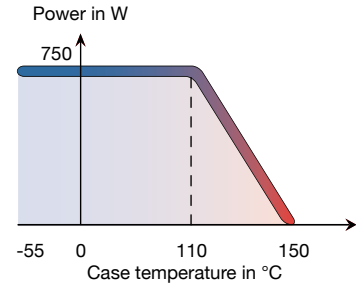
750 W 1 GHz BeO High Voltage



Standards
NF C 96-315
MIL-DTL-39030



Substrate	Beo
Resistive film	Thick film
Tab/Plating	CuBe/Ag
Mounting flange/Plating	Cu/Ni
Cover substrate	Al ₂ O ₃
Size	190104



Dimensions in mm



[Return to Search by Part Number](#)

P/N	Frequency (GHz)	Power (W)	Resistance* ($\Omega \pm 5\%$)	Capacitance** C ₀ (pF)	A (mm)
39-0148	1	750	100	13	5.8
39-0164	1	750	100	26	5.3

mm	inch
0.1	0.004
3.2	0.126
4.2	0.165
5.3	0.209
5.8	0.228
6.35	0.250
6.85	0.270
9.53	0.375
12.7	0.500
25.4	1.000
26.4	1.040
39.4	1.551
48.2	1.898

* Others values on request

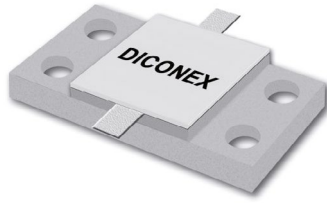
** C₀ is the value of capacitance measured in DC.

C_{HF} is the RF equivalent capacitance measured with NWA with one port grounded C_{HF} = 1/3 C₀

800 W 1 GHz AIN

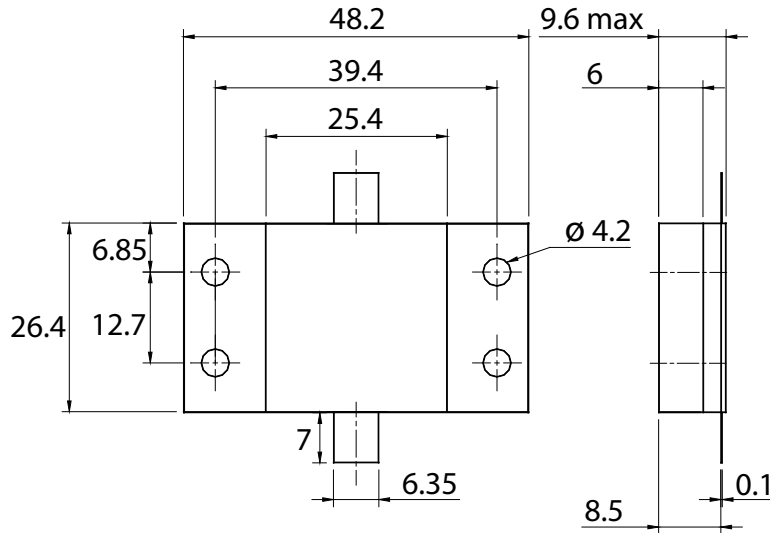
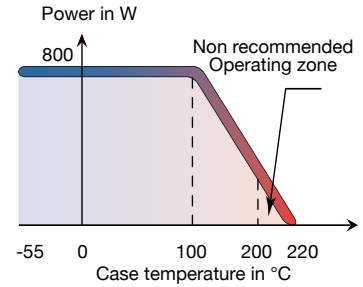


Standards
NF C 96-315
MIL-DTL-39030



Stripline Resistors

Substrate	AIN
Resistive film	Thick film
Tab/Plating	CuBe/Ag
Protection film	Epoxy
Mounting flange/Plating	Cu/Ni
Cover substrate	Al ₂ O ₃
Size	190104



Dimensions in mm

[Return to Search by Part Number](#)

P/N	Frequency (GHz)	Power (W)	Resistance* ($\Omega \pm 5\%$)	Capacitance** (C ₀ pF)
39-0193	1	800	50	12
39-0194	1	800	100	12

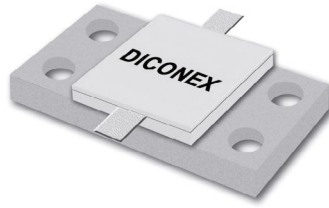
mm	inch
0.1	0.004
4.2	0.166
6	0.236
6.35	0.250
6.85	0.270
7	0.276
8.5	0.335
9.6	0.378
12.7	0.500
25.4	1.000
26.4	1.040
39.4	1.551
48.2	1.898

* Others values on request

** C₀ is the value of capacitance measured in DC.

C_{HF} is the RF equivalent capacitance measured with NWA with one port grounded C_{HF} = 1/3 C₀

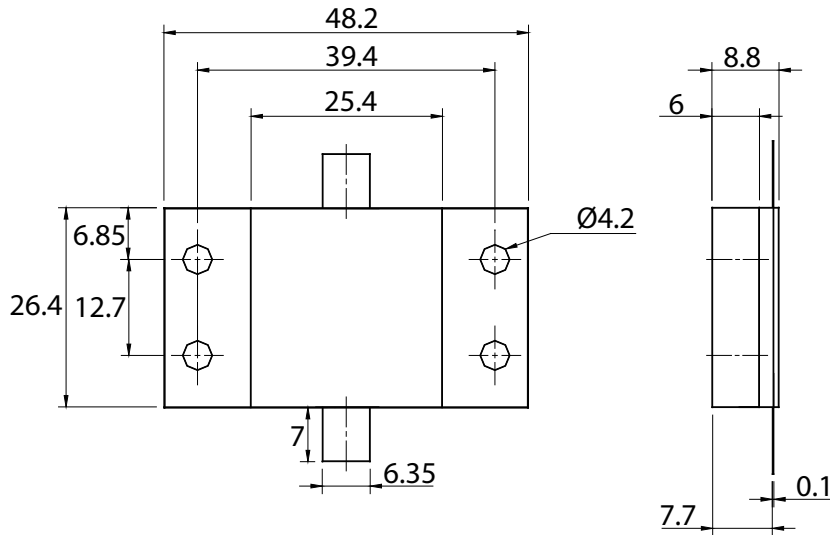
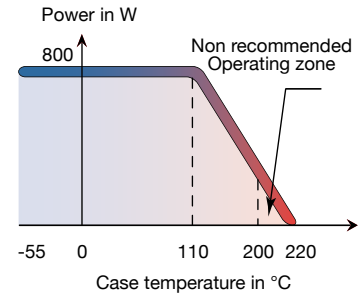
800 W 1 GHz BeO



Standards
NF C 96-315
MIL-DTL-39030



Substrate	BeO
Resistive film	Thick film
Tab/Plating	CuBe/Ag
Mounting flange/Plating	Cu/Ni
Cover substrate	Al ₂ O ₃
Size	190104



Stripline Resistors



Dimensions in mm

[Return to Search by Part Number](#)

P/N	Frequency (GHz)	Power (W)	Resistance* (Ω ± 5%)	Capacitance** C ₀ (pF)
39-0090	1	800	12.5	14
39-0089	1	800	25	14
39-0061	1	800	50	14
39-0062	1	800	100	14

mm	inch
0.1	0.004
4.2	0.165
6	0.236
6.35	0.250
6.85	0.270
7	0.276
7.7	0.303
8.8	0.346
12.7	0.500
25.4	1.000
26.4	1.040
39.4	1.551
48.2	1.898

* Others values on request

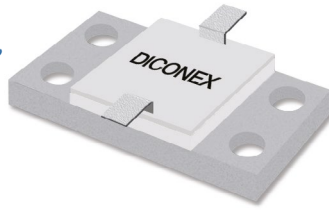
** C₀ is the value of capacitance measured in DC.

C_{HF} is the RF equivalent capacitance measured with NWA with one port grounded C_{HF} = 1/3 C₀

800 W 1 GHz BeO High Voltage

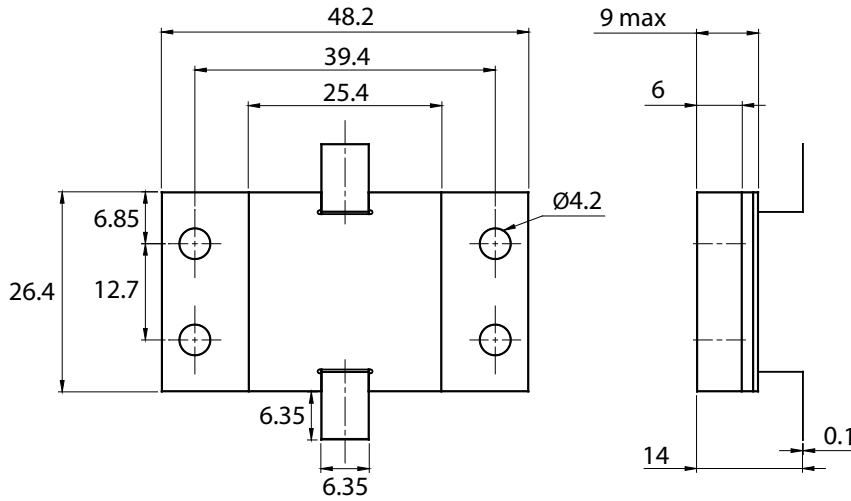
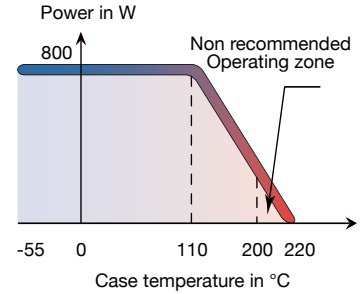


Standards
NF C 96-315
MIL-DTL-39030



Stripline Resistors

Substrate	BeO
Resistive film	Thick film
Tab/Plating	CuBe/Ag
Mounting flange/Plating	Cu/Ni
Cover substrate	Al ₂ O ₃
Size	190104



Dimensions in mm

Return to Search by Part Number

P/N	Frequency (GHz)	Power (W)	Resistance* (Ω ± 5%)	Capacitance** C ₀ (pF)
39-0284	1	800	25	13
39-0285	1	800	50	13
39-0286	1	800	100	13
39-0287	1	800	200	13

mm	inch
0.1	0.004
4.2	0.165
6	0.236
6.35	0.250
6.85	0.270
9	0.354
12.7	0.500
14	0.551
25.4	1.000
26.4	1.040
39.4	1.551
48.2	1.898

* Others values on request

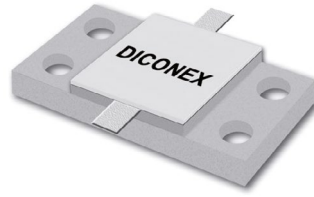
** C₀ is the value of capacitance measured in DC.

C_{HF} is the RF equivalent capacitance measured with NWA with one port grounded C_{HF} = 1/3 C₀

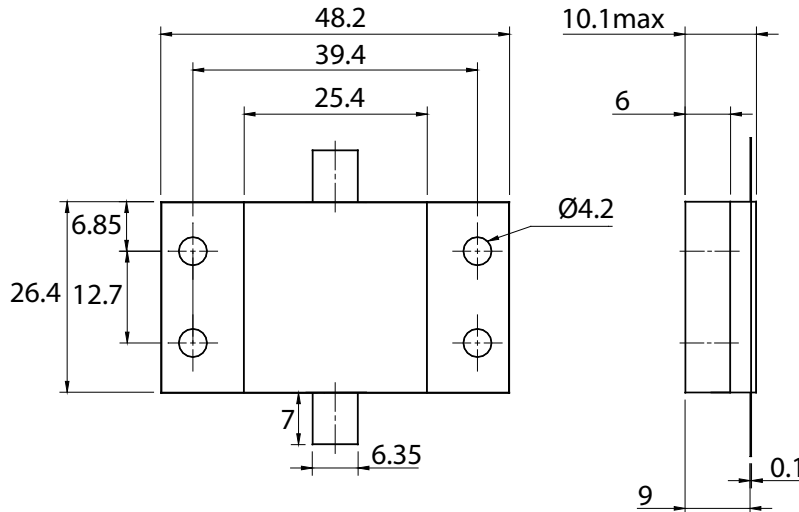
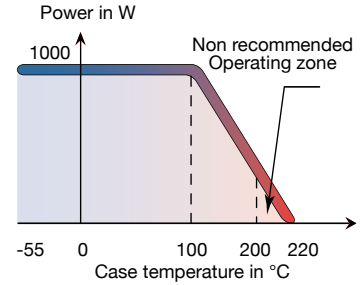
1000 W 1 GHz AIN



Standards
NF C 96-315
MIL-DTL-39030



Substrate	AIN
Resistive film	Thick film
Tab/Plating	CuBe/Ag
Protection film	Epoxy
Mounting flange/Plating	Cu/Ni
Cover substrate	Al ₂ O ₃
Size	190104



Dimensions in mm



Stripline Resistors

[Return to Search by Part Number](#)

P/N	Frequency (GHz)	Power (W)	Resistance* (Ω ± 5%)	Capacitance** (C ₀ pF)
39-0195	1	1000	50	11
39-0196	1	1000	100	11

mm	inch
0.1	0.004
4.2	0.166
6	0.236
6.35	0.250
6.85	0.270
7	0.276
9	0.354
12.7	0.500
25.4	1.000
26.4	1.040
39.4	1.551
48.2	1.898

* Others values on request

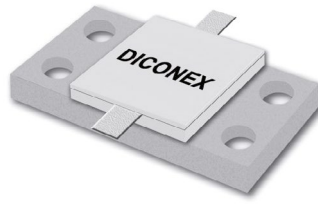
** C₀ is the value of capacitance measured in DC.

C_{HF} is the RF equivalent capacitance measured with NWA with one port grounded C_{HF} = 1/3 C₀

1000 W 1 GHz BeO

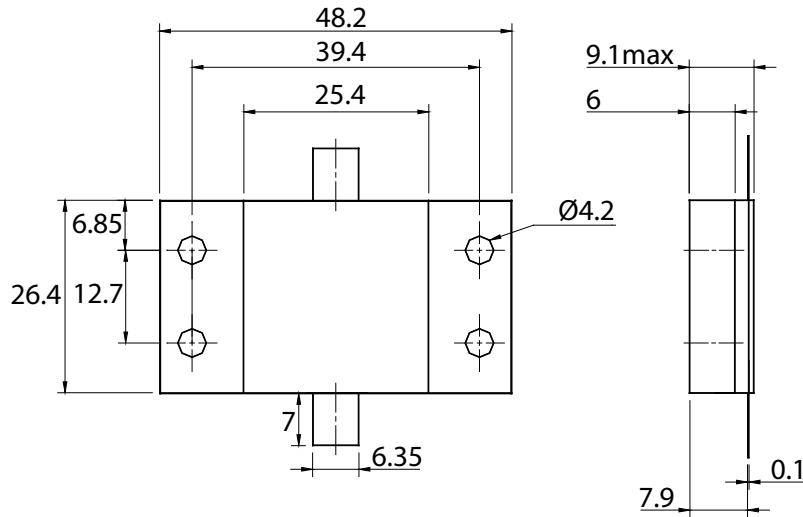
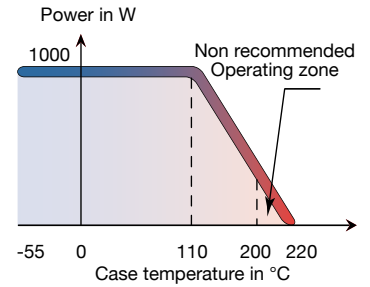


Standards
NF C 96-315
MIL-DTL-39030



Stripline Resistors

Substrate	BeO
Resistive film	Thick film
Tab/Plating	CuBe/Ag
Mounting flange/Plating	Cu/Ni
Cover substrate	Al ₂ O ₃
Size	190104



Dimensions in mm

Return to Search by Part Number

P/N	Frequency (GHz)	Power (W)	Resistance* (Ω ± 5%)	Capacitance** (C ₀ pF)
39-0212	1	1000	25	10
39-0197	1	1000	50	10
39-0198	1	1000	100	10

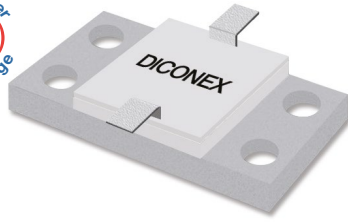
mm	inch
0.1	0.004
4.2	0.166
6	0.236
6.35	0.250
6.85	0.270
7	0.276
7.9	0.311
9.1	0.358
12.7	0.500
25.4	1.000
26.4	1.040
39.4	1.551
48.2	1.898

* Others values on request

** C₀ is the value of capacitance measured in DC.

C_{HF} is the RF equivalent capacitance measured with NWA with one port grounded C_{HF} = 1/3 C₀

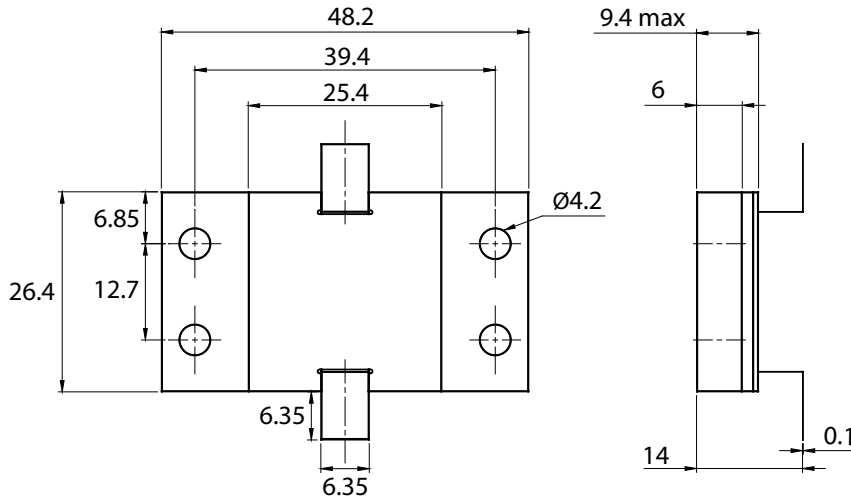
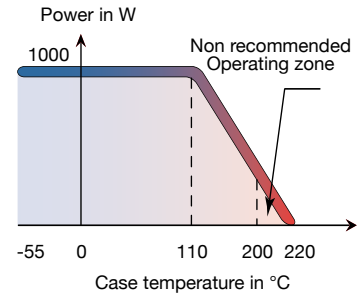
1000 W 1 GHz BeO High Voltage



Standards
NF C 96-315
MIL-DTL-39030



Substrate	BeO
Resistive film	Thick film
Tab/Plating	CuBe/Ag
Mounting flange/Plating	Cu/Ni
Cover substrate	Al ₂ O ₃
Size	190104



Dimensions in mm



Return to Search by Part Number

P/N	Frequency (GHz)	Power (W)	Resistance* (Ω ± 5%)	Capacitance** C ₀ (pF)
39-0288	1	1000	25	11
39-0289	1	1000	50	11
39-0245	1	1000	100	11
39-0290	1	1000	200	11

mm	inch
0.1	0.004
4.2	0.165
6.0	0.236
6.35	0.250
6.85	0.270
9.4	0.370
12.7	0.551
14	0.500
25.4	1.000
26.4	1.040
39.4	1.551
48.2	1.898

* Others values on request

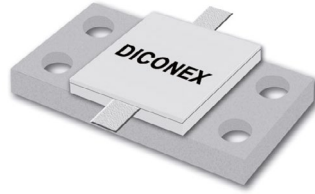
** C₀ is the value of capacitance measured in DC.

C_{HF} is the RF equivalent capacitance measured with NWA with one port grounded C_{HF} = 1/3 C₀

1200 W 1 GHz BeO

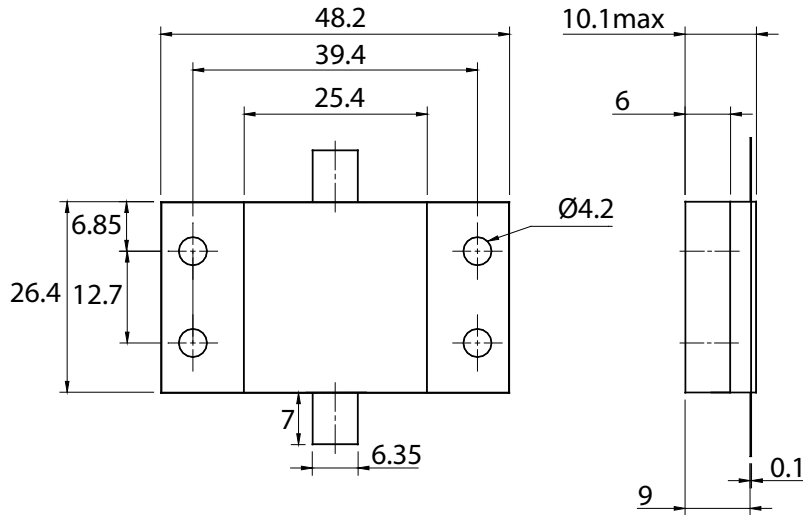
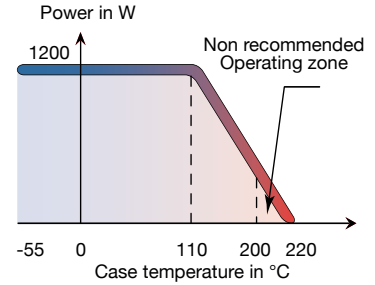


Standards
NF C 96-315
MIL-DTL-39030



Stripline Resistors

Substrate	BeO
Resistive film	Thick film
Tab/Plating	CuBe/Ag
Mounting flange/Plating	Cu/Ni
Cover substrate	Al ₂ O ₃
Size	190104



Dimensions in mm

Return to Search by Part Number

P/N	Frequency (GHz)	Power (W)	Resistance* (Ω ± 5%)	Capacitance** (C ₀ pF)
39-0213	1	1200	25	8
39-0199	1	1200	50	8
39-0200	1	1200	100	8

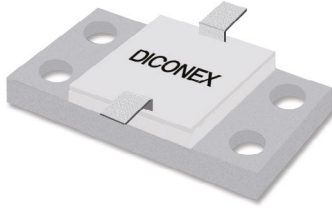
mm	inch
0.1	0.004
4.2	0.166
6	0.236
6.35	0.250
6.85	0.270
7	0.276
9	0.354
10.1	0.398
12.7	0.500
25.4	1.000
26.4	1.040
39.4	1.551
48.2	1.898

* Others values on request

** C₀ is the value of capacitance measured in DC.

C_{HF} is the RF equivalent capacitance measured with NWA with one port grounded C_{HF} = 1/3 C₀

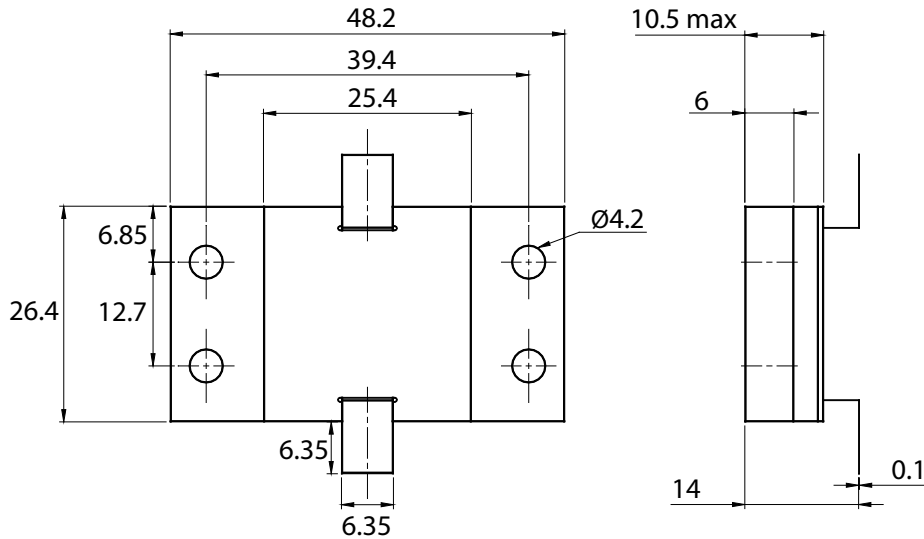
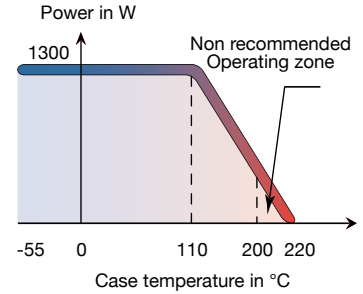
1300 W 1 GHz BeO High Voltage



Standards
NF C 96-315
MIL-DTL-39030



Substrate	BeO
Resistive film	Thick film
Tab/Plating	CuBe/Ag
Mounting flange/Plating	Cu/Ni
Cover substrate	Al ₂ O ₃
Size	190104



Dimensions in mm



Return to Search by Part Number

P/N	Frequency (GHz)	Power (W)	Resistance* (Ω ± 5%)	Capacitance** C ₀ (pF)
39-0271	1	1300	25	11
39-0272	1	1300	50	11
39-0273	1	1300	100	11
39-0274	1	1300	200	11

mm	inch
0.1	0.004
4.2	0.165
6.0	0.236
6.35	0.250
6.85	0.270
10.5	0.413
12.7	0.551
14	0.500
25.4	1.000
26.4	1.040
39.4	1.551
48.2	1.898

* Others values on request

** C₀ is the value of capacitance measured in DC.

C_{HF} is the RF equivalent capacitance measured with NWA with one port grounded C_{HF} = 1/3 C₀

1350 W 1 GHz BeO

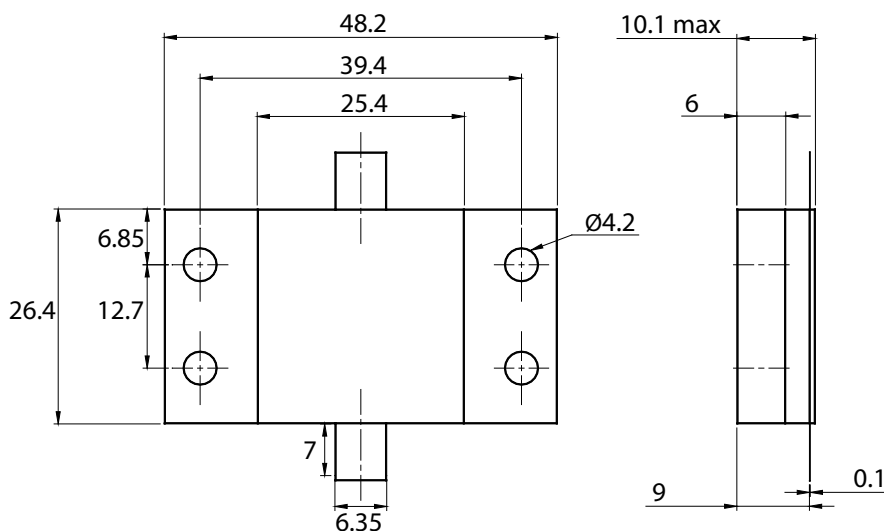
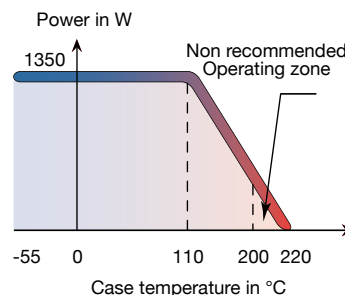


Standards
NF C 96-315
MIL-DTL-39030



Stripline Resistors

Substrate	BeO
Resistive film	Thick film
Tab/Plating	CuBe/Ag
Mounting flange/Plating	Cu/Ni
Cover substrate	Al ₂ O ₃
Size	104190



Dimensions in mm

[Return to Search by Part Number](#)

P/N	Frequency (GHz)	Power (W)	Resistance* (Ω ± 5%)	Capacitance** C ₀ (pF)
39-0259	1	1350	25	11
39-0260	1	1350	50	11
39-0261	1	1350	100	11
39-0262	1	1350	200	11

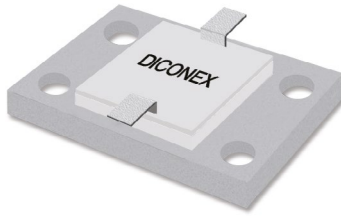
mm	inch
0.1	0.004
4.2	0.165
6.0	0.236
6.35	0.250
6.85	0.270
7.0	0.276
9.0	0.354
10.1	0.397
12.7	0.551
25.4	1.000
26.4	1.040
39.4	1.551
48.2	1.898

* Others values on request

** C₀ is the value of capacitance measured in DC.

C_{HF} is the RF equivalent capacitance measured with NWA with one port grounded C_{HF} = 1/3 C₀

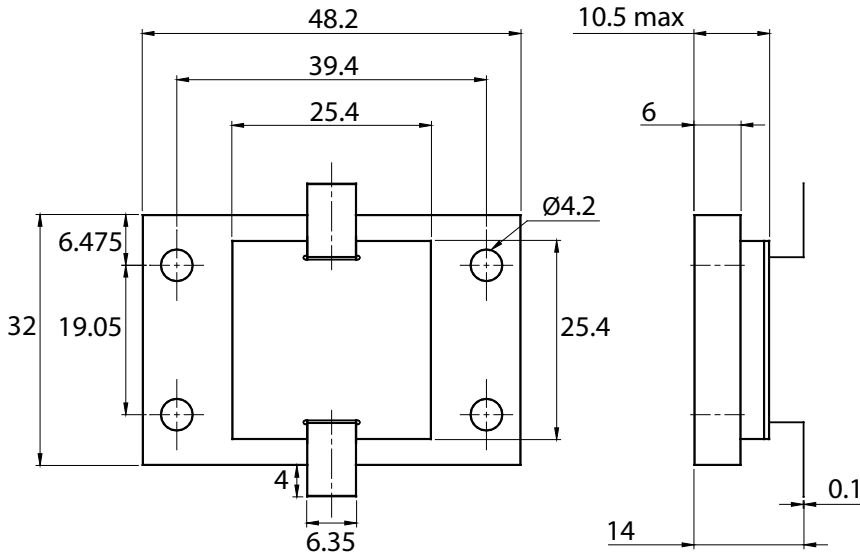
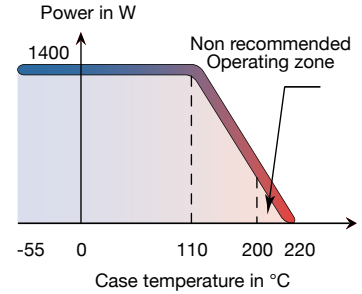
1400 W 1 GHz BeO High Voltage



Standards
NF C 96-315
MIL-DTL-39030



Substrate	BeO
Resistive film	Thick film
Tab/Plating	CuBe/Ag
Mounting flange/Plating	Cu/Ni
Cover substrate	Al ₂ O ₃
Size	190126



Dimensions in mm

Return to Search by Part Number

P/N	Frequency (GHz)	Power (W)	Resistance* (Ω ± 5%)	Capacitance** C ₀ (pF)
39-0275	1	1400	25	11
39-0276	1	1400	50	11
39-0277	1	1400	100	11
39-0278	1	1400	200	11

mm	inch
0.1	0.004
4.0	0.157
4.2	0.165
6.0	0.236
6.35	0.250
6.475	0.255
10.5	0.413
12.7	0.551
14	0.500
19.05	0.750
25.4	1.000
32	1.260
39.4	1.551
48.2	1.898

* Others values on request

** C₀ is the value of capacitance measured in DC.

C_{HF} is the RF equivalent capacitance measured with NWA with one port grounded C_{HF} = 1/3 C₀



1500 W 1 GHz BeO

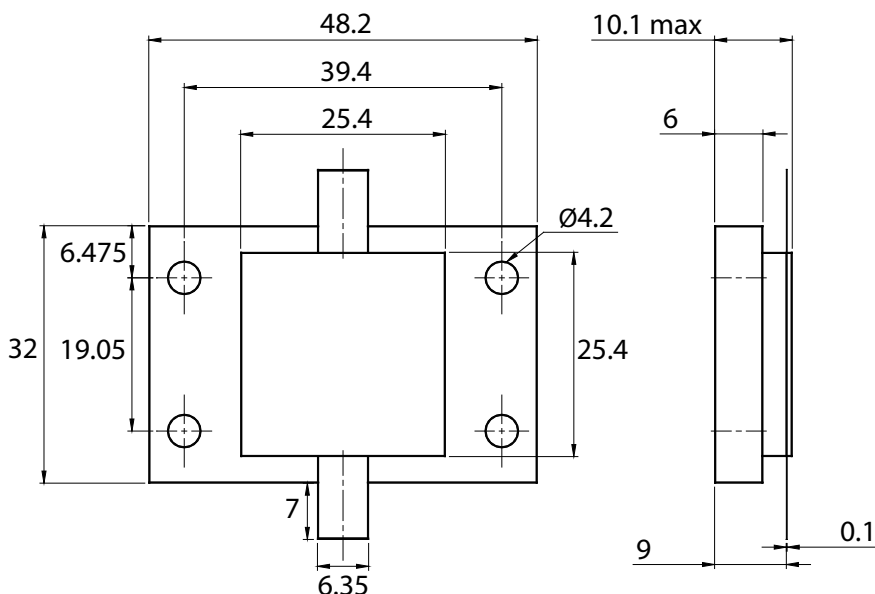
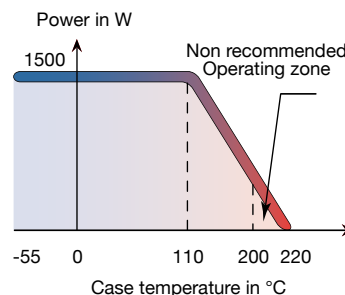


Standards
NF C 96-315
MIL-DTL-39030



Stripline Resistors

Substrate	BeO
Resistive film	Thick film
Tab/Plating	CuBe/Ag
Mounting flange/Plating	Cu/Ni
Cover substrate	Al ₂ O ₃
Size	190126



Dimensions in mm

[Return to Search by Part Number](#)

P/N	Frequency (GHz)	Power (W)	Resistance* (Ω ± 5%)	Capacitance** C ₀ (pF)
39-0263	1	1500	25	11
39-0264	1	1500	50	11
39-0265	1	1500	100	11
39-0266	1	1500	200	11

mm	inch
0.1	0.004
4.2	0.165
6.0	0.236
6.35	0.250
6.475	0.255
7.0	0.276
9.0	0.354
10.1	0.397
19.05	0.750
25.4	1.000
32.0	1.260
39.4	1.551
48.2	1.898

* Others values on request

** C₀ is the value of capacitance measured in DC.

C_{HF} is the RF equivalent capacitance measured with NWA with one port grounded C_{HF} = 1/3 C₀

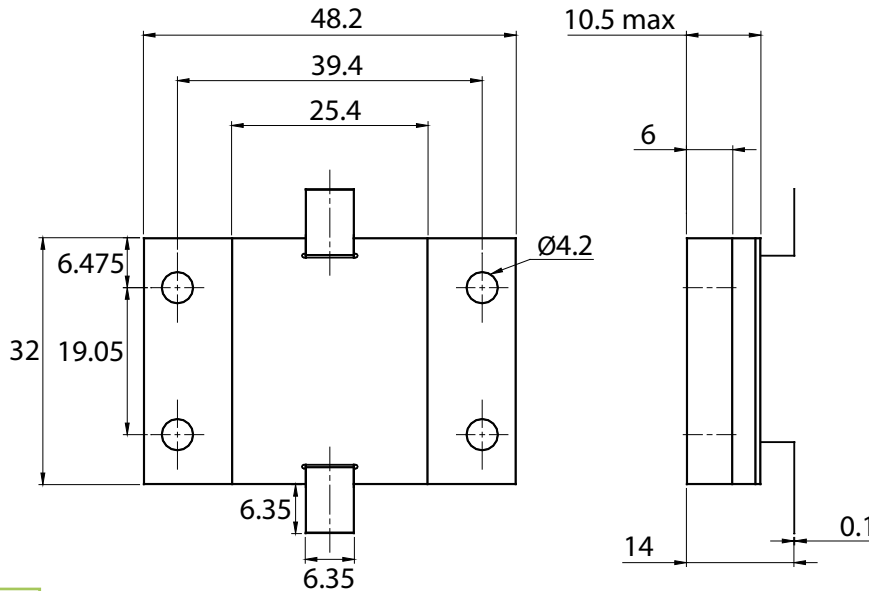
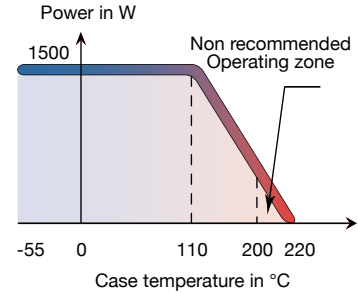
1500 W 1 GHz BeO High Voltage



Standards
NF C 96-315
MIL-DTL-39030



Substrate	BeO
Resistive film	Thick film
Tab/Plating	CuBe/Ag
Mounting flange/Plating	Cu/Ni
Cover substrate	Al ₂ O ₃
Size	190126



Dimensions in mm

Stripline Resistors

Return to Search by Part Number

P/N	Frequency (GHz)	Power (W)	Resistance* (Ω ± 5%)	Capacitance** C ₀ (pF)
39-0279	1	1500	25	13
39-0280	1	1500	50	13
39-0281	1	1500	100	13
39-0282	1	1500	200	13

mm	inch
0.1	0.004
4.2	0.165
6.0	0.236
6.35	0.250
6.475	0.255
10.5	0.413
12.7	0.551
14	0.500
19.05	0.750
25.4	1.000
32	1.260
39.4	1.551
48.2	1.898

* Others values on request

** C₀ is the value of capacitance measured in DC.

C_{HF} is the RF equivalent capacitance measured with NWA with one port grounded C_{HF} = 1/3 C₀

1500 W 1 GHz BeO High Voltage

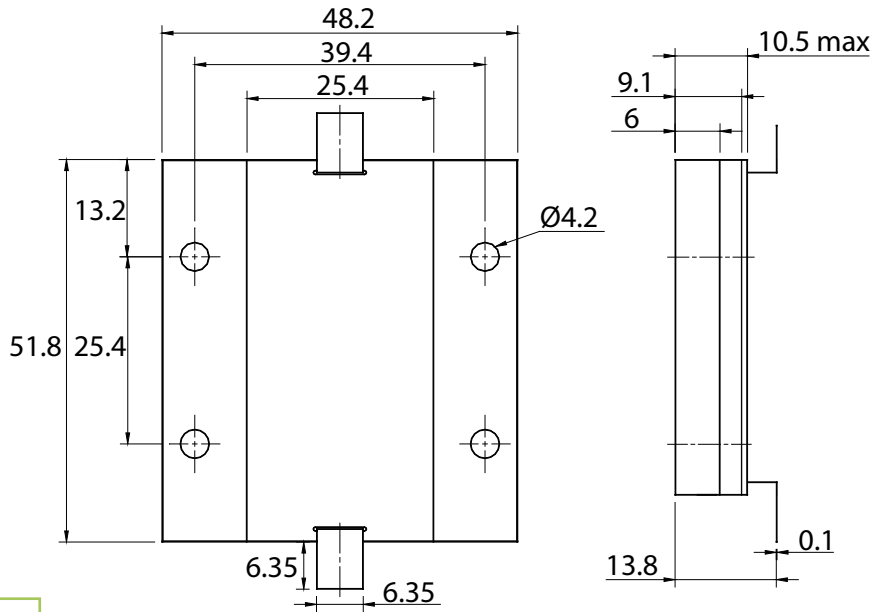
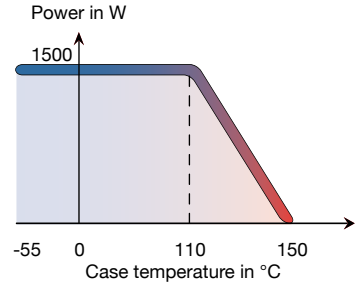


Standards
NF C 96-315
MIL-DTL-39030



Stripline Resistors

Substrate	BeO
Resistive film	Thick film
Tab/Plating	CuBe/Ag
Mounting flange/Plating	Cu/Ni
Cover substrate	Al ₂ O ₃
Size	204190



Dimensions in mm

[Return to Search by Part Number](#)

P/N	Frequency (GHz)	Power (W)	Resistance* (Ω ± 5%)	Capacitance** C ₀ (pF)
39-0187	1	1500	150	14
39-0188	1	1500	225	14
39-0172	1	1500	300	14
39-0173	1	1500	350	14

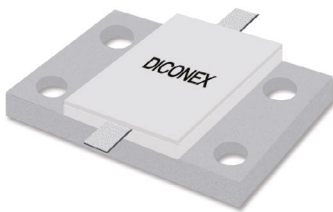
mm	inch
0.1	0.004
4.2	0.165
6	0.236
6.35	0.250
9.1	0.358
10.5	0.413
13.2	0.520
13.8	0.543
25.4	1.000
26.4	1.040
39.4	1.551
48.2	1.898
51.8	2.039

* Others values on request

** C₀ is the value of capacitance measured in DC.

C_{HF} is the RF equivalent capacitance measured with NWA with one port grounded C_{HF} = 1/3 C₀

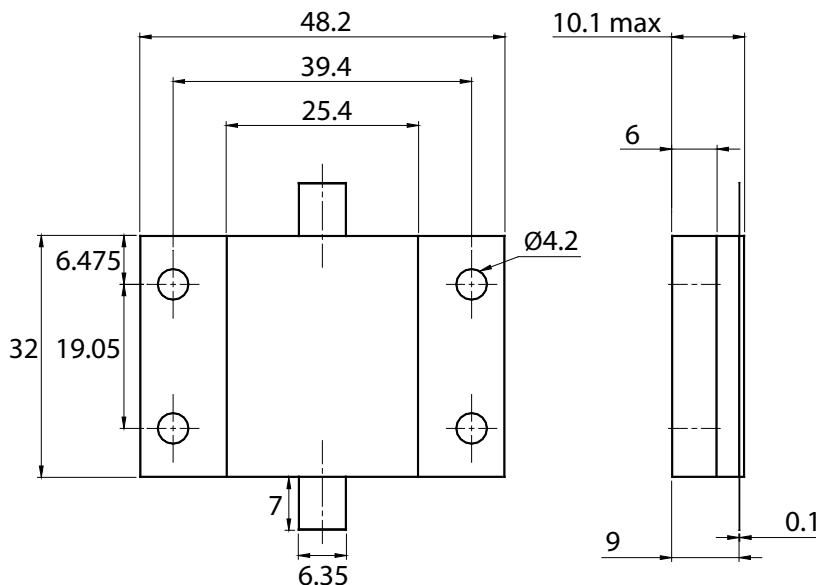
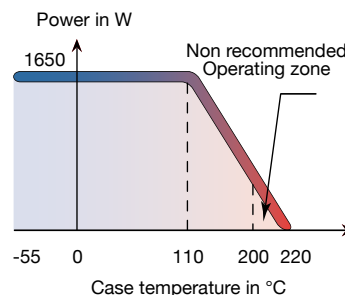
1650 W 1 GHz BeO



Standards
NF C 96-315
MIL-DTL-39030



Substrate	BeO
Resistive film	Thick film
Tab/Plating	CuBe/Ag
Mounting flange/Plating	Cu/Ni
Cover substrate	Al ₂ O ₃
Size	190126



Dimensions in mm

[Return to Search by Part Number](#)

P/N	Frequency (GHz)	Power (W)	Resistance* (Ω ± 5%)	Capacitance** C ₀ (pF)
39-0267	1	1650	25	13
39-0268	1	1650	50	13
39-0269	1	1650	100	13
39-0270	1	1650	200	13

mm	inch
0.1	0.004
4.2	0.165
6.0	0.236
6.35	0.250
6.475	0.255
7.0	0.276
9.0	0.354
10.1	0.397
19.05	0.750
25.4	1.000
32.0	1.260
39.4	1.551
48.2	1.898

* Others values on request

** C₀ is the value of capacitance measured in DC.

C_{HF} is the RF equivalent capacitance measured with NWA with one port grounded C_{HF} = 1/3 C₀



Search by Part Number

Stripline Resistors



Part Number	Page
39-0028	H11
39-0029	H4
39-0032	H11
39-0033	H11
39-0040	H4
39-0045	H11
39-0046	H3
39-0050	H14
39-0056	H16
39-0057	H16
39-0060	H19
39-0061	H23
39-0062	H23
39-0063	H19
39-0068	H16
39-0069	H14
39-0071	H19
39-0072	H19
39-0074	H7
39-0075	H7
39-0079	H16
39-0081	H19
39-0083	H16
39-0089	H23
39-0090	H23
39-0091	H9
39-0095	H8
39-0096	H8
39-0098	H3
39-0099	H9
39-0104	H11
39-0105	H11
39-0106	H11
39-0107	H4
39-0108	H7
39-0111	H18
39-0112	H18
39-0114	H11
39-0115	H10
39-0117	H16
39-0118	H16
39-0119	H14
39-0127	H17
39-0130	H13
39-0134	H11
39-0135	H11
39-0137	H16

Part Number	Page
39-0138	H16
39-0139	H10
39-0140	H16
39-0141	H10
39-0142	H11
39-0143	H16
39-0144	H11
39-0145	H20
39-0146	H20
39-0147	H10
39-0148	H21
39-0149	H11
39-0150	H11
39-0151	H16
39-0152	H16
39-0153	H16
39-0154	H16
39-0155	H4
39-0156	H4
39-0159	H12
39-0161	H10
39-0162	H10
39-0164	H21
39-0166	H17
39-0167	H17
39-0168	H17
39-0169	H9
39-0171	H6
39-0172	H34
39-0173	H34
39-0174	H15
39-0175	H15
39-0176	H6
39-0177	H6
39-0178	H5
39-0179	H5
39-0180	H5
39-0181	H5
39-0182	H5
39-0183	H5
39-0184	H9
39-0187	H34
39-0188	H34
39-0189	H19
39-0191	H16
39-0192	H12
39-0193	H22

Part Number	Page
39-0194	H22
39-0195	H25
39-0196	H25
39-0197	H26
39-0198	H26
39-0199	H28
39-0200	H28
39-0207	H10
39-0208	H10
39-0209	H10
39-0210	H10
39-0211	H6
39-0212	H26
39-0213	H28
39-0214	H10
39-0215	H10
39-0216	H17
39-0217	H17
39-0218	H10
39-0219	H10
39-0234	H7
39-0237	H19
39-0238	H17
39-0245	H27
39-0246	H13
39-0248	H7
39-0249	H7
39-0250	H7
39-0259	H30
39-0260	H30
39-0261	H30
39-0262	H30
39-0263	H32
39-0264	H32
39-0265	H32
39-0266	H32
39-0267	H35
39-0268	H35
39-0269	H35
39-0270	H35
39-0271	H29
39-0272	H29
39-0273	H29
39-0274	H29
39-0275	H31
39-0276	H31
39-0277	H31

Part Number	Page
39-0278	H31
39-0279	H33
39-0280	H33
39-0281	H33
39-0282	H33
39-0284	H24
39-0285	H24
39-0286	H24
39-0287	H24
39-0288	H27
39-0289	H27
39-0290	H27
39-0311	H13
39-0329	H11
39-0336	H5
39-3276	H7
39-4696	H7



Notes



Notes

Stripline Resistors





Notes



