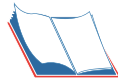
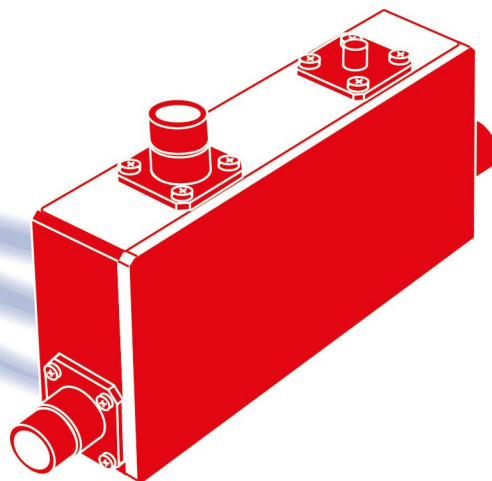


CIRCULATORS ISOLATORS



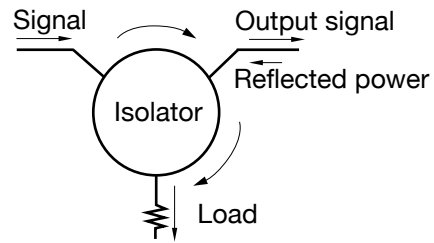
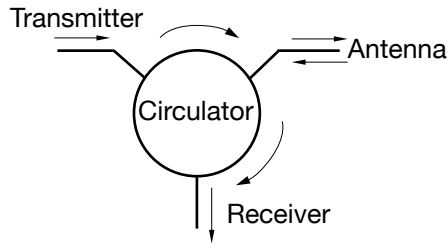
=> [Search by Part Number](#)



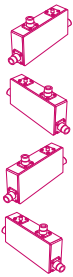
Circulators & Isolators for Radiocommunication system

⇒ RF circulator is a three-port ferromagnetic passive device used to control the direction of signal flow in a circuit (low-cost alternative to expensive cavity duplexers).

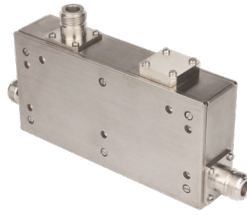
⇒ RF isolator is a two-port ferromagnetic passive device with one load and protect your application from excessive signal reflection, dual isolator can be use for higher isolation level.



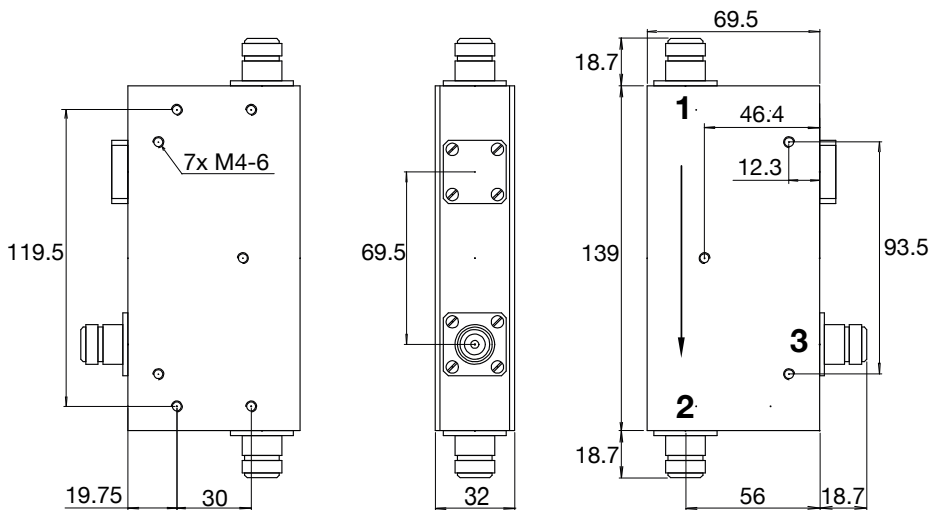
Dual Circulator 71-74 MHz	3	Dual Circulator 390-395 MHz	13
Dual Circulator 87-108 MHz	4	Circulator 410-460 MHz	14
Circulator 118-144 MHz	5	Circulator 750-1000 MHz	15
Dual Circulator 118-144 MHz	6	Circulator-Isolator 1000-1200 MHz	16
Dual Circulator 146-174 MHz	7	Water Cooled Isolator 2450 MHz	17
Circulator 225-400 MHz	8	Power Circulator 2800-3300 MHz	18
Dual Circulator 225-400 MHz	9	Dual Circulator 5400-5900 MHz	19
Circulator 330-450 MHz	10	Search by Part Number	20
Circulator 380-430 MHz	11	Notes	21
Dual Circulator - Isolator 380-470 MHz	12		



Dual Circulator 71-74 MHz



Impedance	50 Ω
Frequency	71 - 74 MHz
Max VSWR	< 1.2
Temperature range	-20 to +55° C
Isolation	> 50 dB
Insertion loss	< 1 dB
Average power @ 25°C	100 W
Connector	N f
Weight	1300 g

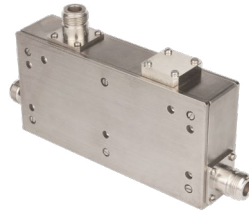


Dimensions in mm

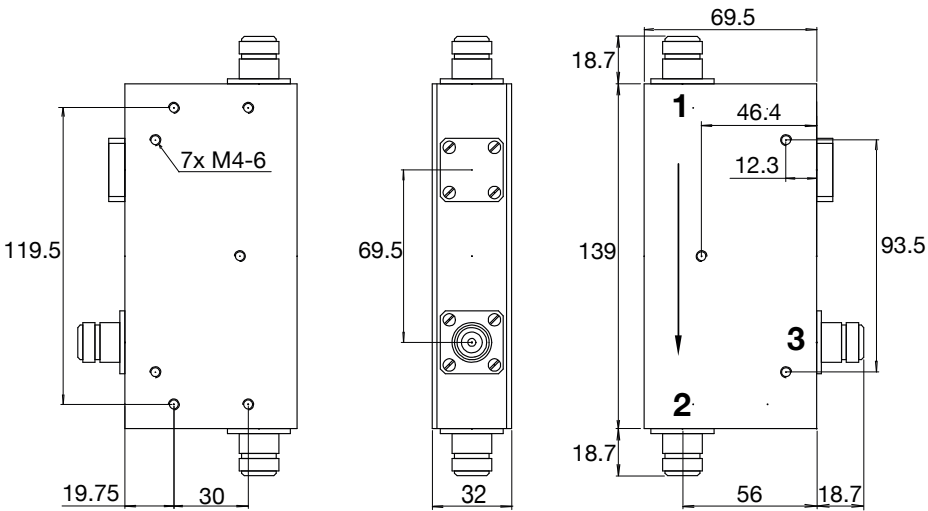
[Return to Search by Part Number](#)

P/N	Model
A31-7174-25	Dual circulator 71 - 74 MHz

Dual Circulator 87-108 MHz



Impedance	50 Ω
Frequency	87 - 108 MHz
Max VSWR	< 1.2
Temperature range	0 to +55° C
Isolation	> 41 dB
Insertion loss	< 1.2 dB
Average power @ 25°C	100 W
Connector	N f
Weight	1350 g



Dimensions in mm

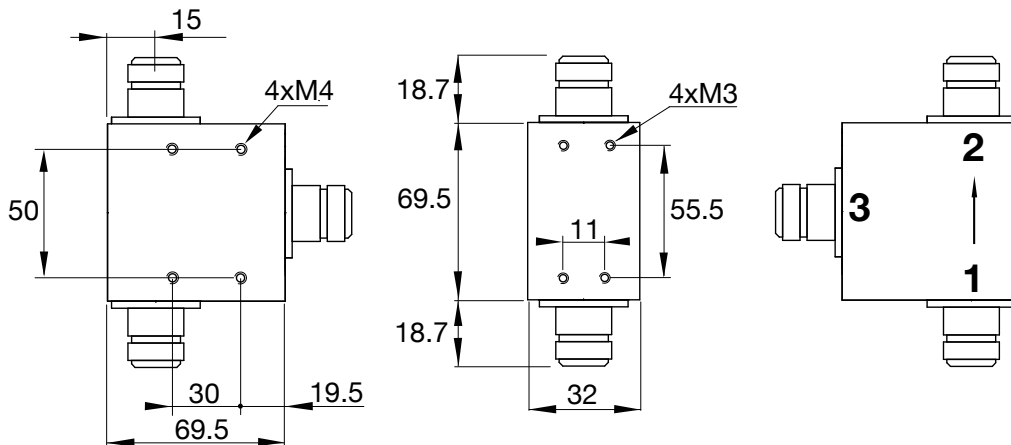
[Return to Search by Part Number](#)

P/N	Model
A31-8711	Dual circulator 87 - 108 MHz

Circulator 118-144 MHz



Impedance	50 Ω
Frequency	118 - 144 MHz
Max VSWR	< 1.2
Temperature range	-10 to +55° C
Isolation	> 20 dB
Insertion loss	< 0.6 dB
Average power @ 25°C	100 W
Connector	N f
Weight	650 g

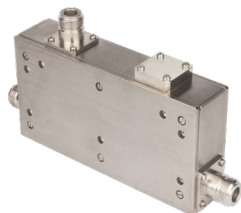


Dimensions in mm

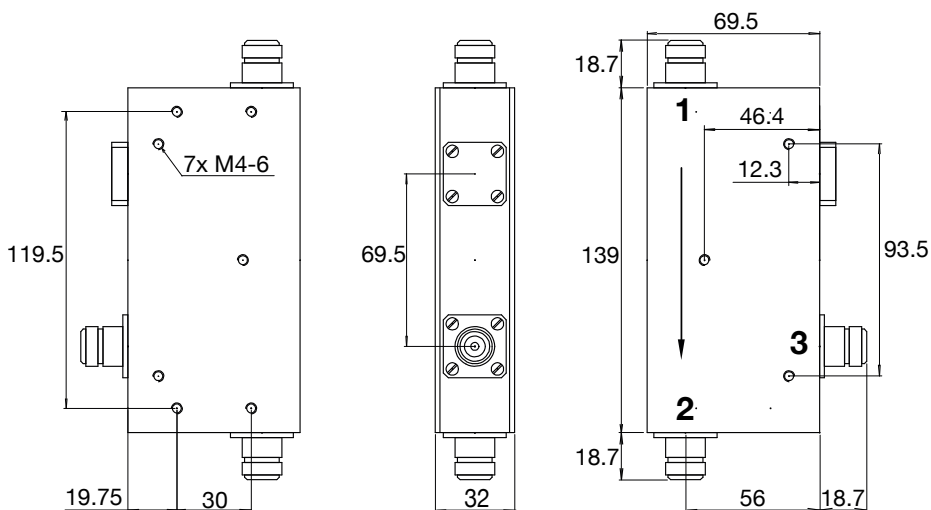
[Return to Search by Part Number](#)

P/N	Model
A31-1115-01	Circulator 118 - 144 MHz

Dual Circulator 118-144 MHz



Impedance	50 Ω
Frequency	118 - 144 MHz
Max VSWR	< 1.2
Temperature range	0 to +55° C
Isolation	> 42 dB
Insertion loss	< 0.8 dB
Average power @ 25°C	120 W
Connector	N f
Weight	1350 g

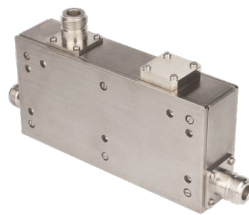


Dimensions in mm

[Return to Search by Part Number](#)

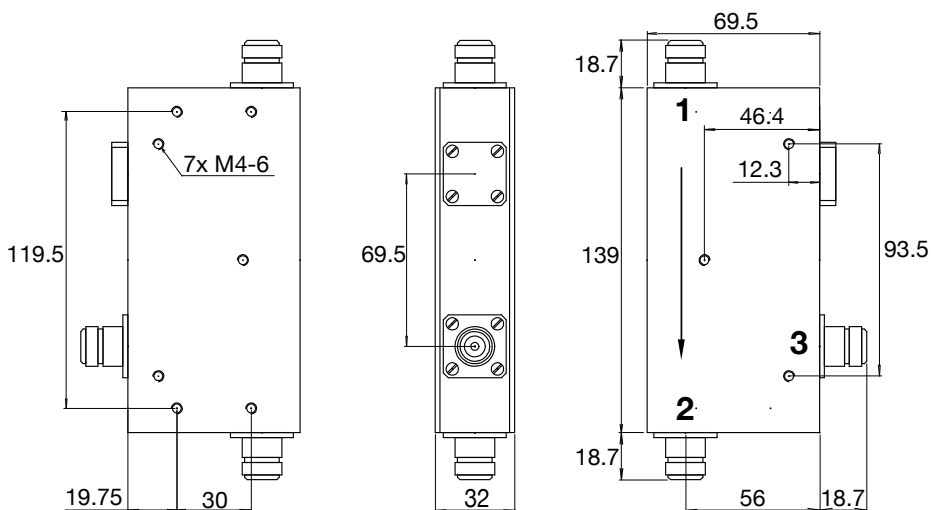
P/N	Model
A31-1115	Dual Circulator 118 - 144 MHz

Dual Circulator 146-174 MHz



Impedance	50 Ω
Frequency	146 - 174 MHz
Max VSWR	< 1.2
Temperature range	0 to +55° C
Isolation	> 42 dB
Insertion loss	< 0.8 dB
Average power @ 25°C	100 W
Connector	N f
Weight	1350 g

Circulators & Isolators



Dimensions in mm

[Return to Search by Part Number](#)

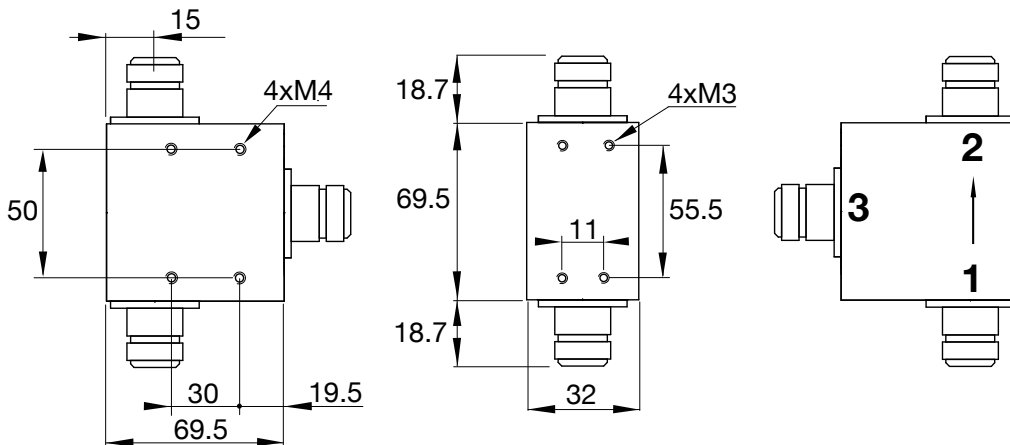
P/N	Model
A31-1417	Dual Circulator 146 - 174 MHz



Circulator 225-400 MHz



Impedance	50 Ω
Frequency	225 - 400 MHz
Max VSWR	< 1.3
Temperature range	-10 to +55° C
Isolation	> 18 dB
Insertion loss	< 1 dB
Average power @ 25°C	100 W
Connector	N f
Weight	650 g

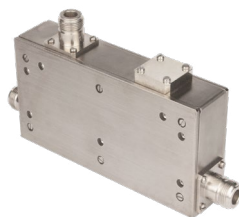


Dimensions in mm

[Return to Search by Part Number](#)

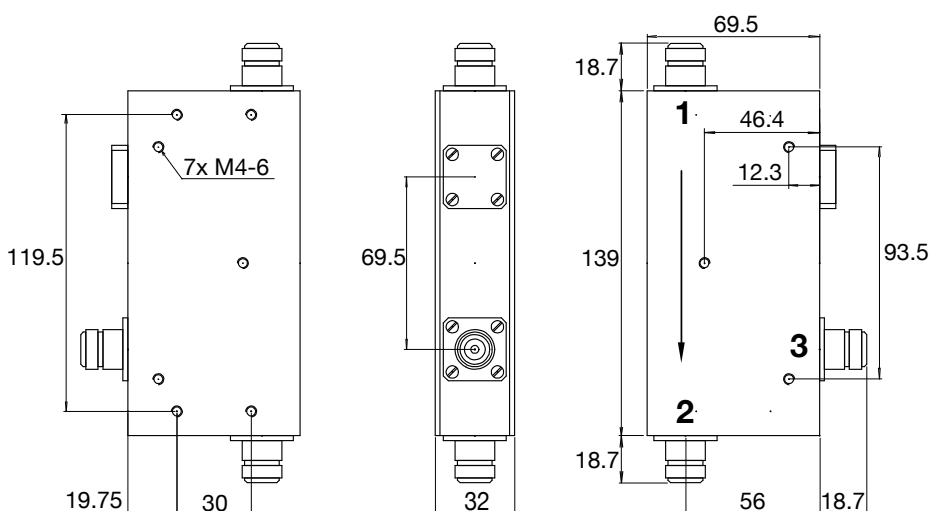
P/N	Model
B3-2240	Circulator 225 - 400 MHz

Dual Circulator 225-400 MHz



Impedance	50 Ω
Frequency	225 - 400 MHz
Max VSWR	< 1.3
Temperature range	-10 to +55° C
Isolation	> 35 dB
Insertion loss	< 1.8 dB
Average power @ 25°C	100 W
Connector	N f
Weight	1350 g

Circulators & Isolators

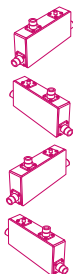
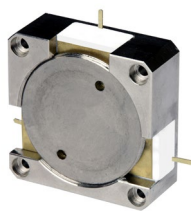


Dimensions in mm

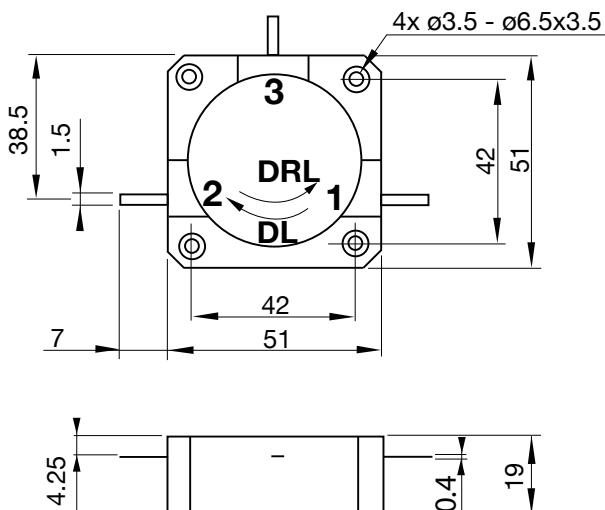
[Return to Search by Part Number](#)

P/N	Model
B31-2240-15	Dual Circulator 225 - 400 MHz

Circulator 330-450 MHz



Impedance	50 Ω
Frequency	330 - 450 MHz
Max VSWR	< 1.45
Temperature range	-10 to +55° C
Isolation	> 18 dB
Insertion loss	< 0.6 dB
Average power @ 25°C	50 W
peak power	500 W
Weight	260 g



Dimensions in mm

[Return to Search by Part Number](#)

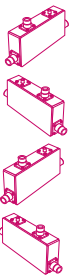
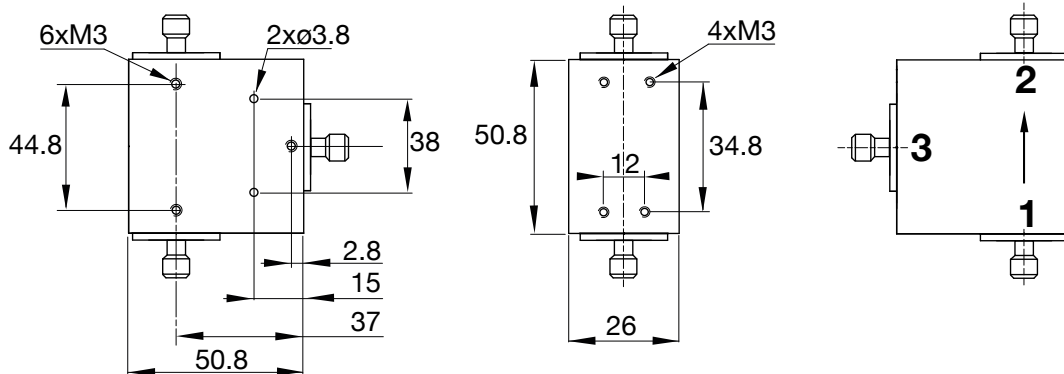
P/N	Model
B3-3345 DL	Circulator 330 - 450 MHz
B3-3345 DRL	Circulator 330 - 450 MHz

Circulator 380-430 MHz



Impedance	50 Ω
Frequency	380 - 430 MHz
Max VSWR	< 1.2
Temperature range	-10 to +55° C
Isolation	> 20 dB
Insertion loss	< 0.5 dB
Average power @ 25°C	50 W
Connector	SMA f

Circulators & Isolators



Dimensions in mm

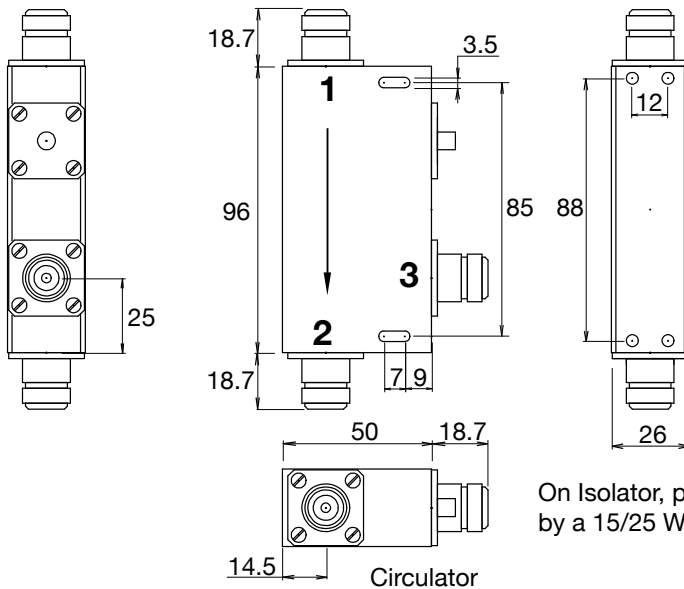
[Return to Search by Part Number](#)

P/N	Model
B3-3843-S	Circulator 380 - 430 MHz

Dual Circulator - Isolator 380-470 MHz



Impedance	50 Ω
Frequency	380 - 470 MHz
Max VSWR	< 1.2
Temperature range	-10 to +55° C
Isolation	> 50 dB
Insertion loss	< 0.5 dB
Average power @ 25°C	100 W
Connector	N f
Weight	640 g



On Isolator, part 3 is replaced by a 15/25 W Load

Dimensions in mm

[Return to Search by Part Number](#)

P/N	Model
B31-3843	Dual Circulator 380 - 430 MHz
B31-4047	Dual Circulator 400 - 470 MHz
B22-3847-15	Isolator 380-470 MHz 15W reflected power
B22-3847-25	Isolator 380-470 MHz 25W reflected power

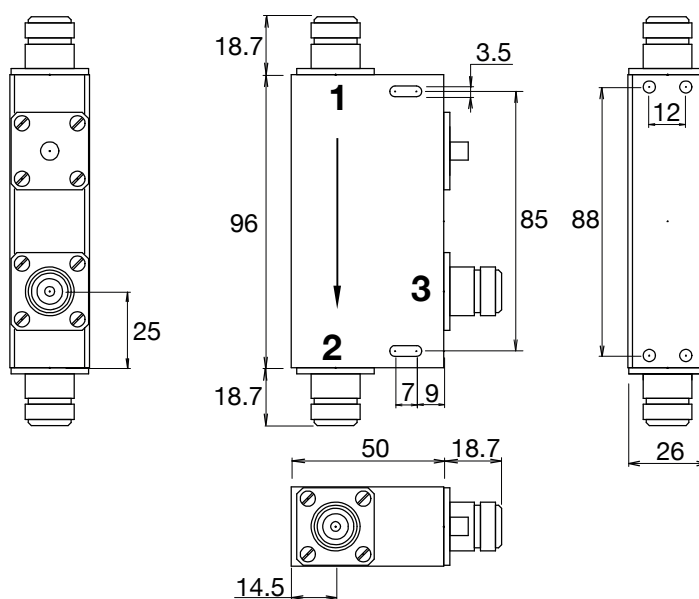


Dual Circulator 390-395 MHz



Impedance	50 Ω
Frequency	390 - 395 MHz
Max VSWR	< 1.2
Temperature range	-10 to +55° C
Isolation	> 55 dB
Insertion loss	< 0.4 dB
Average power @ 25°C	100 W
Connector	N f
Weight	640 g

Circulators & Isolators



Dimensions in mm

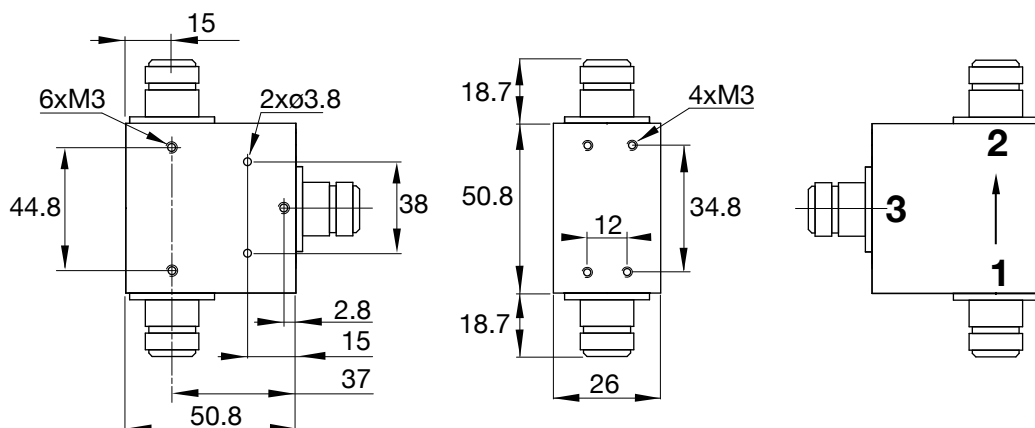
[Return to Search by Part Number](#)

P/N	Model
B31-3940	Dual Circulator 390 - 395 MHz

Circulator 410-460 MHz



Impedance	50 Ω
Frequency	750 - 1000 MHz
Max VSWR	< 1.3
Temperature range	-10 to +55° C
Isolation	> 16 dB
Insertion loss	< 0.5 dB
Average power @ 25°C	50 W
Connector	N f
Weight	650 g



Dimensions in mm

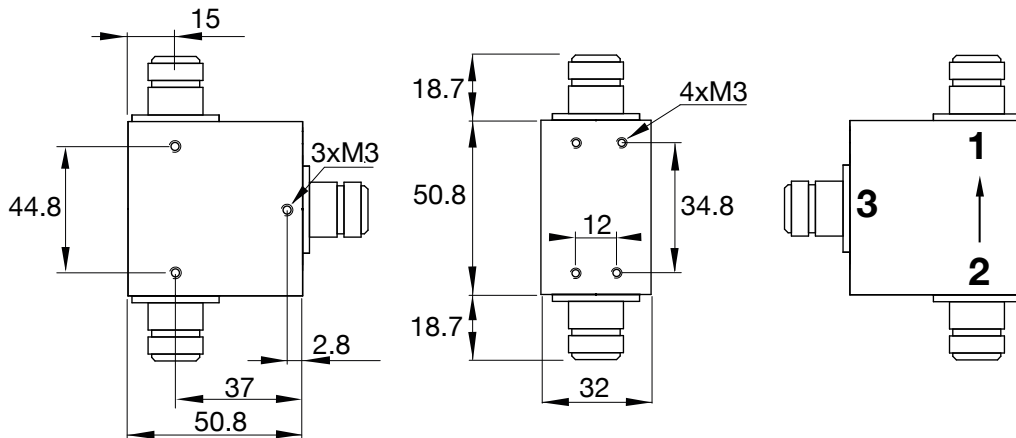
[Return to Search by Part Number](#)

P/N	Model
B3-4146P	Circulator 410 - 460 MHz

Circulator 750-1000 MHz



Impedance	50 Ω
Frequency	750 - 1000 MHz
Max VSWR	< 1.3
Temperature range	-10 to +55° C
Isolation	> 16 dB
Insertion loss	< 0.5 dB
Average power @ 25°C	50 W
Connector	N f
Weight	650 g



Dimensions in mm

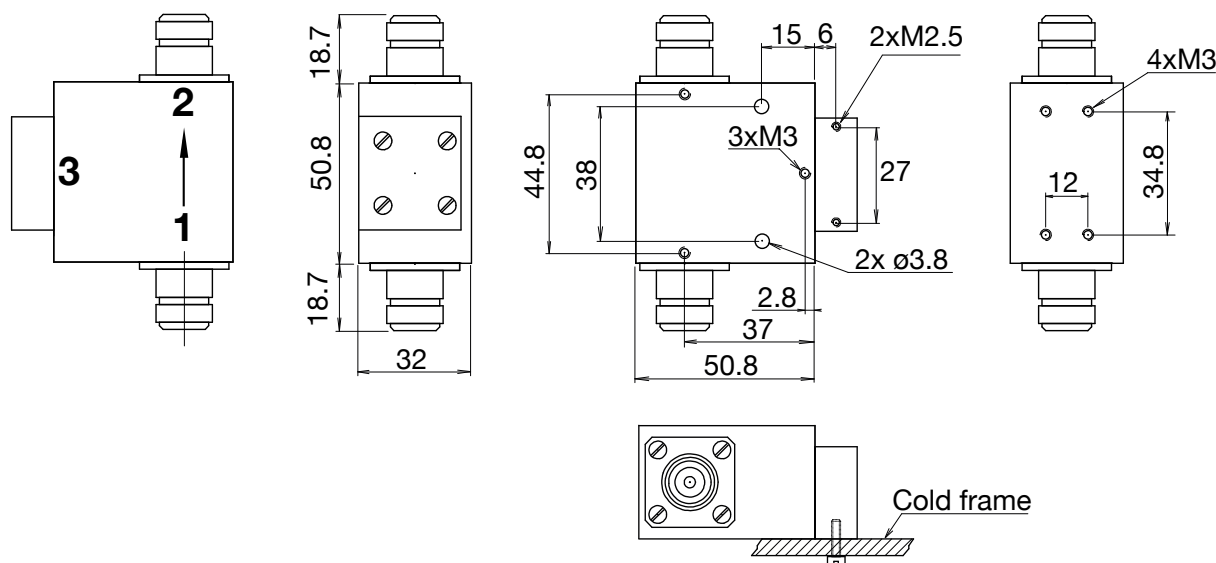
[Return to Search by Part Number](#)

P/N	Model
C31-7510N	Dual Circulator 750 - 1000 MHz

Circulator-Isolator 1000-1200 MHz



Impedance	50 Ω
Frequency	1000 - 1200 MHz
Max VSWR	< 1.2
Temperature range	-10 to +55° C
Isolation	> 20 dB
Insertion loss	< 0.25 dB
Average power @ 25°C	150 W
Connector	N f
Weight	650 g



Dimensions in mm

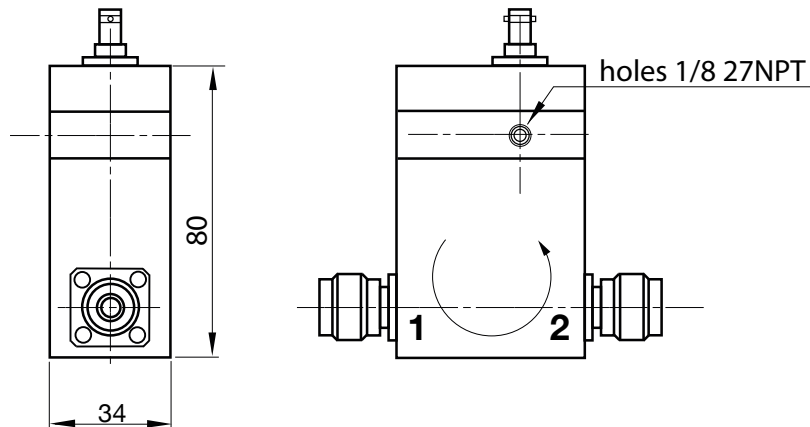
[Return to Search by Part Number](#)

P/N	Model
D3-1012	Circulator 1000 - 1200 MHz
D2-1012	Isolator 1000 - 1200 MHz

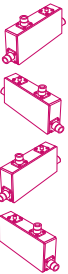
Water Cooled Isolator 2450 MHz



Impedance	50 Ω
Frequency	2450 MHz
Max VSWR	< 1.2
Temperature range	-10 to +55° C
Isolation	> 20 dB
Insertion loss	< 0.5 dB
Maximum input power @ 25°C	300 W
Maximum return power	250 W
Nominal detect voltage	2 V @ 43 dbm
Weight	490 g



Circulators & Isolators

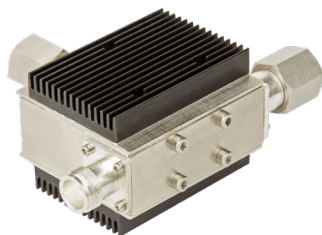


Dimensions in mm

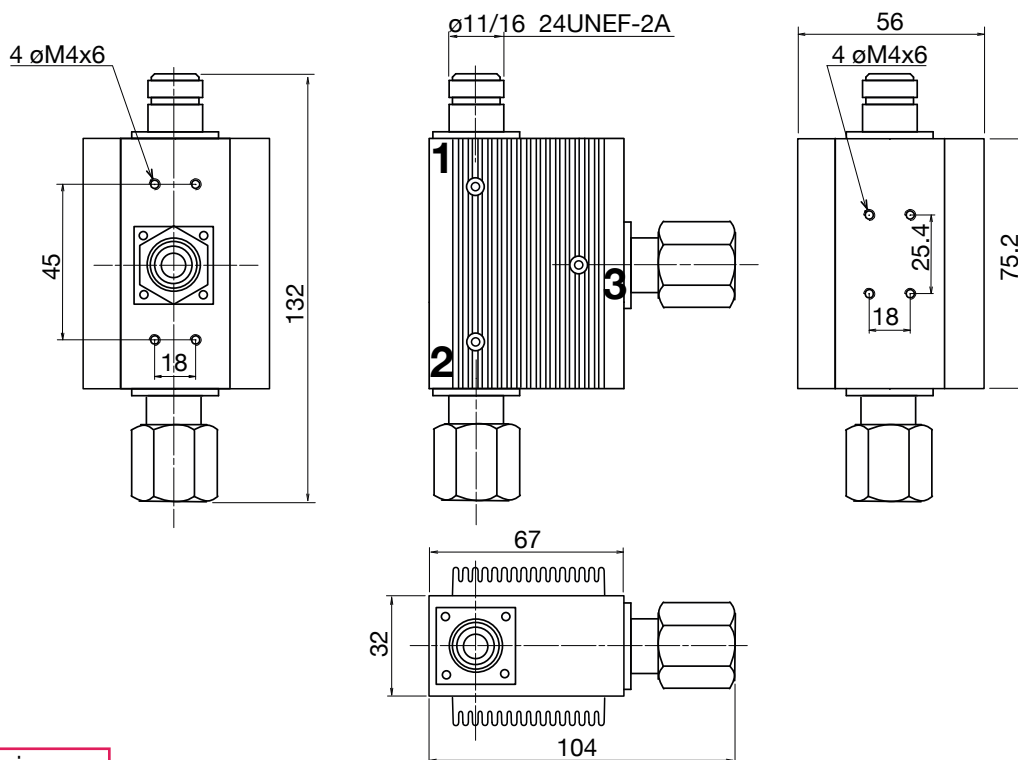
[Return to Search by Part Number](#)

P/N	Model
E2-2450 NMNM	Water Cooled Isolator 2450 MHz

Power Circulator 2800-3300 MHz



Impedance	50 Ω
Frequency	2800-3300 MHz
Max VSWR	< 1.2
Temperature range	-30 to +80° C
Isolation	> 20 dB
Insertion loss	< 0.3 dB
Average power @ 25°C	200 W
Peak power	5 kW
Connectors	SC



Dimensions in mm

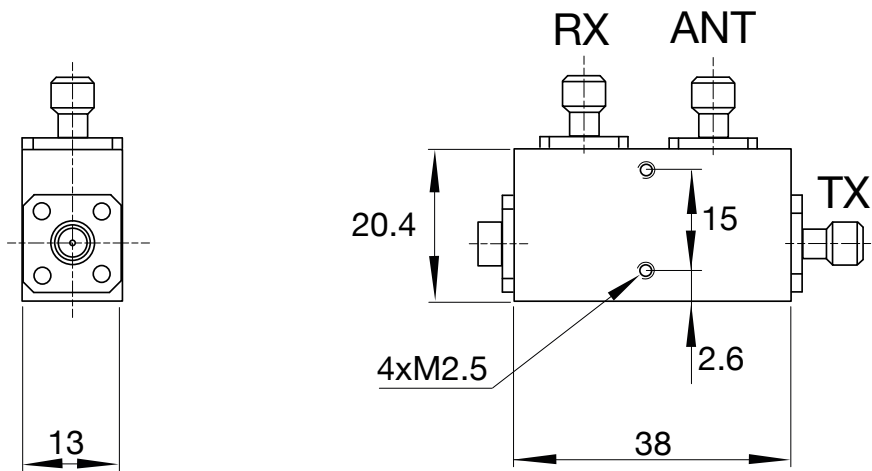
[Return to Search by Part Number](#)

P/N	Model
F3-3100-D1	Power Circulator 2800 - 3300 MHz

Dual Circulator 5400-5900 MHz



Impedance	50 Ω
Frequency	5400-5900 MHz
Max VSWR	< 1.15
Temperature range	-40 to +85° C
Isolation RX/ANT	> 40 dB
Isolation RX/TX, TX/RX.ANT/TX	> 20 dB
Insertion loss ANT/RX	< 1.1 dB
Insertion loss TX/ANT	< 0.5 dB
Average power @ 25°C	2 W
Peak power	1 kW
Connectors	SMA

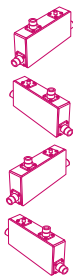


Dimensions in mm

[Return to Search by Part Number](#)

P/N	Model
G31-5459-01S	Dual Circulator 5400 - 5900 MHz

Search by Part Number



Part Number	Page
A31-1115	Z6
A31-1115-01	Z5
A31-1417	Z7
A31-7174-25	Z3
A31-8711	Z4
B22-3847-15	Z11
B22-3847-25	Z12
B3-2240	Z8
B3-3345DL	Z9
B3-3345DRL	Z10
B3-3843-S	Z11
B3-4146P	Z14
B31-2240-15	Z9
B31-3843	Z11
B31-3940	Z13
B31-4047	Z11
C31-7510N	Z15
D2-1012	Z16
D3-1012	Z15
E2-2450NMNM	Z17
F3-3100-D1	Z18
G31-5459-01S	Z19



Notes

