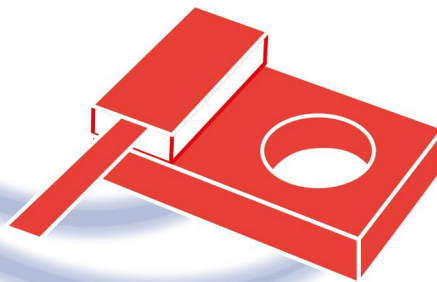


STRIPLINE TERMINATIONS



=> [Search by Part Number](#)



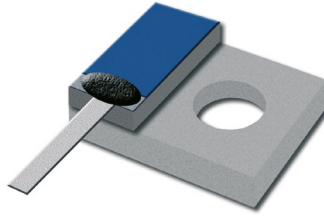
For Power Amplifiers, Couplers, Combiners & Isolators

- ⇒ Easy Mounting on Cold Plate
- ⇒ Size 3020 to 190175
- ⇒ 10 W - 1650 W
- ⇒ Up to 18 GHz

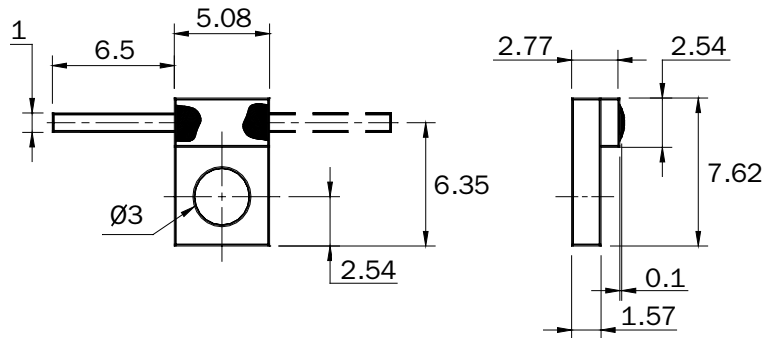
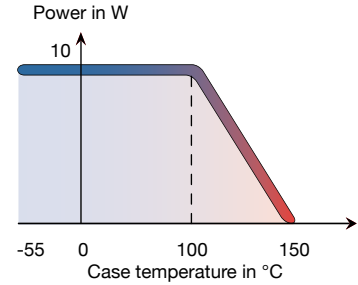
| | | | |
|--------------------|----|-----------------------------|----|
| 10 W 2.2 GHz AlN | 3 | 250 W 3 GHz BeO High Brazed | 28 |
| 10 W 2 GHz BeO | 4 | 250 W 4 GHz BeO | 29 |
| 10 W 6 GHz BeO | 5 | 300 W 1 GHz AlN | 30 |
| 10 W 18 GHz AlN | 6 | 300 W 6 GHz BeO | 31 |
| 10 W 18 GHz BeO | 7 | 400 W 1 GHz AlN | 32 |
| 20 W 4 GHz AlN | 8 | 400 W 2 GHz BeO | 33 |
| 30 W 4 GHz BeO | 9 | 450 W 3 GHz AlN | 34 |
| 30 W 6 GHz BeO | 10 | 500 W 2 GHz BeO | 35 |
| 40 W 9 GHz AlN | 11 | 500 W 4 GHz BeO | 36 |
| 60 W 2.5 GHz BeO | 12 | 600 W 1 GHz AlN | 37 |
| 60 W 5 GHz AlN | 13 | 800 W 1 GHz AlN | 38 |
| 60 W 6 GHz BeO | 14 | 800 W 1 GHz BeO | 39 |
| 80 W 6 GHz AlN | 15 | 1000 W 1 GHz AlN | 40 |
| 100 W 2.5 GHz BeO | 16 | 1000 W 1 GHz BeO | 41 |
| 100 W 3 GHz BeO | 17 | 1000 W 2.45 GHz BeO | 42 |
| 100 W 5 GHz AlN | 18 | 1200 W 1 GHz BeO | 43 |
| 100 W 5 GHz AlN | 19 | 1200 W 1.5 GHz BeO | 44 |
| 100 W 6 GHz BeO | 20 | 1200 W 1 GHz AlN | 45 |
| 150 W 2 GHz BeO | 21 | 1350 W 1.5 GHz BeO | 46 |
| 150 W 2 GHz Remote | 22 | 1500 W 0.9 GHz AlN | 47 |
| 150 W 2.2 GHz BeO | 23 | 1500 W 1.5 GHz BeO | 48 |
| 150 W 3 GHz AlN | 24 | 1650 W 1.5 GHz BeO | 49 |
| 150 W 4 GHz AlN | 25 | Search by Part Number | 50 |
| 220 W 5 GHz BeO | 26 | Notes | 51 |
| 250 W 2.2 GHz AlN | 27 | Notes | 52 |

10 W 2.2 GHz AIN

Standards
NF C 96-315
MIL-DTL-39030



| | |
|-------------------------|---------------------------------|
| Substrate | AIN |
| Resistive film | Thick film |
| Tab | Ag |
| Protection film | Epoxy |
| Mounting flange/Plating | Cu/Ni |
| Tab attachment | Brazed with epoxy encapsulation |
| Size | 3020 |



Dimensions in mm



[Return to Search by Part Number](#)

| P/N | Frequency (GHz) | Power (W) | Impedance ($\Omega \pm 5\%$) | Max VSWR |
|---------|-----------------|-----------|--------------------------------|----------|
| 17-0271 | 2.2 | 10 | 50 | 1.20 |
| 17-0467 | 2.2 | 10 | 50 | 1.20 |

| mm | inch |
|------|-------|
| 0.1 | 0.004 |
| 1 | 0.039 |
| 1.57 | 0.062 |
| 2.54 | 0.100 |
| 2.77 | 0.109 |
| 3 | 0.118 |
| 5.08 | 0.200 |
| 6.35 | 0.250 |
| 6.5 | 0.256 |
| 7.62 | 0.300 |

10 W 2 GHz BeO

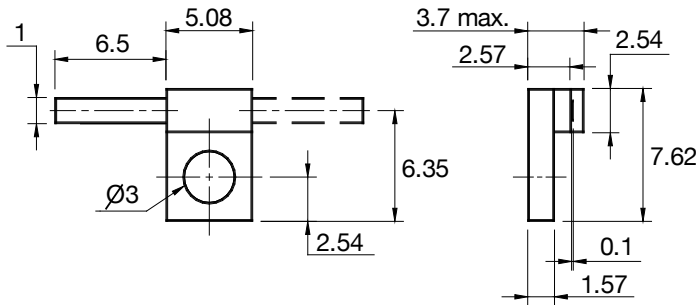
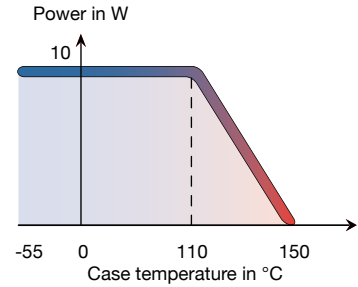


Standards
NF C 96-315
MIL-DTL-39030



Stripline Terminations

| | |
|-------------------------|--------------------------------|
| Substrate | BeO |
| Resistive film | Thick film |
| Tab | Ag |
| Mounting flange/Plating | Cu/Ni |
| Cover substrate | Al ₂ O ₃ |
| Size | 3020 |



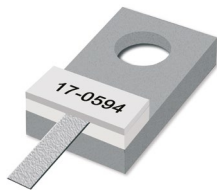
Dimensions in mm

[Return to Search by Part Number](#)

| P/N | Frequency (GHz) | Power (W) | Impedance ($\Omega \pm 5\%$) | Max VSWR |
|---------|-----------------|-----------|--------------------------------|----------|
| 17-0218 | 2 | 10 | 50 | 1.30 |
| 17-0289 | 2 | 10 | 50 | 1.30 |

| mm | inch |
|------|-------|
| 0.1 | 0.004 |
| 1 | 0.039 |
| 1.57 | 0.062 |
| 2.54 | 0.100 |
| 2.57 | 0.101 |
| 3 | 0.118 |
| 3.7 | 0.146 |
| 5.08 | 0.200 |
| 6.35 | 0.250 |
| 6.5 | 0.256 |
| 7.62 | 0.300 |

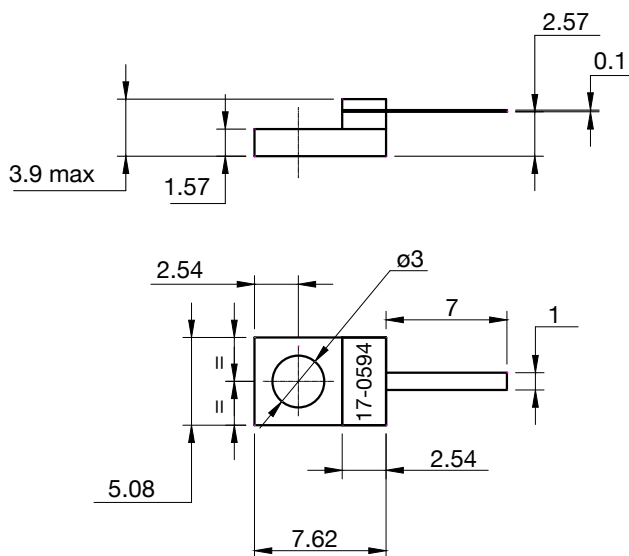
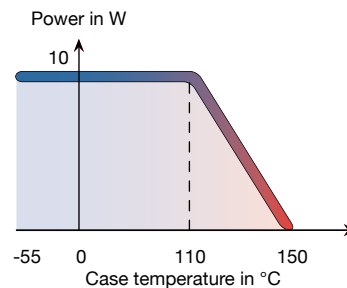
10 W 6 GHz BeO



Standards
NF C 96-315
MIL-DTL-39030



| | |
|-------------------------|--------------------------------|
| Substrate | BeO |
| Resistive film | Thick film |
| Tab | Ag |
| Mounting flange/Plating | Cu/Ni |
| Cover substrate | Al ₂ O ₃ |
| Size | 3020 |



Dimensions in mm

Stripline Terminations



[Return to Search by Part Number](#)

| P/N | Frequency (GHz) | Power (W) | Impedance ($\Omega \pm 5\%$) | Max VSWR |
|---------|-----------------|-----------|--------------------------------|----------|
| 17-0594 | 6 | 10 | 50 | 1.30* |

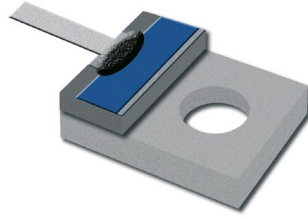
| mm | inch |
|------|-------|
| 0.1 | 0.004 |
| 1 | 0.039 |
| 1.57 | 0.062 |
| 2.54 | 0.100 |
| 2.57 | 0.101 |
| 3 | 0.118 |
| 3.9 | 0.154 |
| 5.08 | 0.200 |
| 7 | 0.275 |
| 7.62 | 0.300 |

* VSWR \leq 1.10 at 2.5 GHz, \leq 1.20 at 4 GHz

10 W 18 GHz AIN

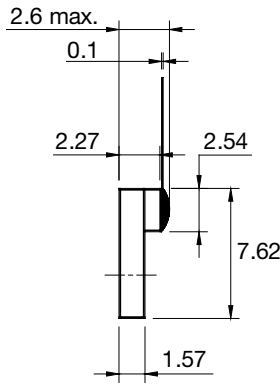
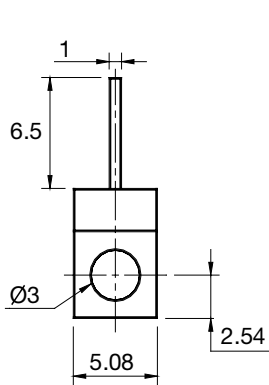
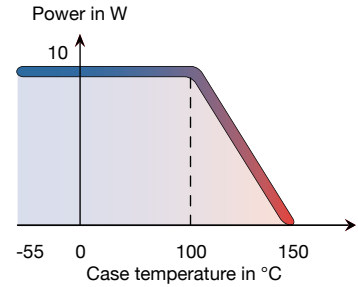


Standards
NF C 96-315
MIL-DTL-39030

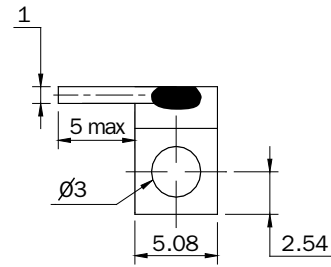


Stripline Terminations

| | |
|-------------------------|---------------------------------|
| Substrate | AIN |
| Resistive film | Thick film |
| Tab | Ag |
| Protection film | Epoxy |
| Mounting flange/Plating | Cu/Ni |
| Tab attachment | Brazed with epoxy encapsulation |
| Size | 3020 |



17-0315



17-0426

Dimensions in mm

[Return to Search by Part Number](#)

| P/N | Frequency (GHz) | Power (W) | Impedance ($\Omega \pm 5\%$) | Max VSWR |
|---------|-----------------|-----------|--------------------------------|----------|
| 17-0315 | 18 | 10 | 50 | 1.35 |
| 17-0426 | 18 | 10 | 50 | 1.35 |

| mm | inch |
|------|-------|
| 0.1 | 0.004 |
| 1 | 0.039 |
| 1.57 | 0.074 |
| 2.27 | 0.089 |
| 2.54 | 0.100 |
| 2.60 | 0.102 |
| 3 | 0.118 |
| 5.08 | 0.200 |
| 6.5 | 0.256 |
| 7.62 | 0.300 |

10 W 18 GHz BeO

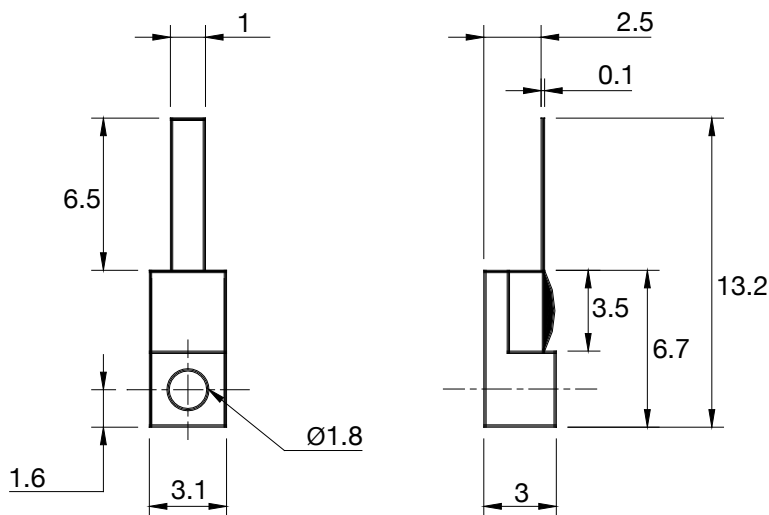
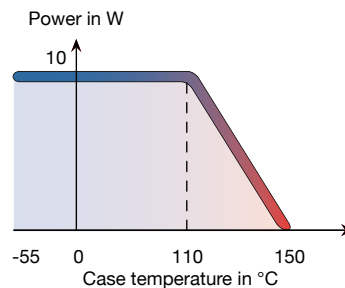


Standards
NF C 96-315
MIL-DTL-39030



Substrate
Resistive film
Tab
Mounting flange/Plating
Size

BeO
Thick film
Ag
Cu/Ni
2612



Dimensions in mm

Stripline Terminations



[Return to Search by Part Number](#)

| P/N | Frequency (GHz) | Power (W) | Impedance ($\Omega \pm 5\%$) | Max VSWR |
|---------|-----------------|-----------|--------------------------------|----------|
| 17-0823 | 18 | 10 | 50 | 1.25 |

| mm | inch |
|------|-------|
| 0.1 | 0.004 |
| 1.0 | 0.039 |
| 1.6 | 0.063 |
| 1.8 | 0.071 |
| 2.5 | 0.098 |
| 3 | 0.118 |
| 3.1 | 0.122 |
| 3.5 | 0.138 |
| 6.5 | 0.256 |
| 6.7 | 0.264 |
| 13.2 | 0.515 |

20 W 4 GHz AIN

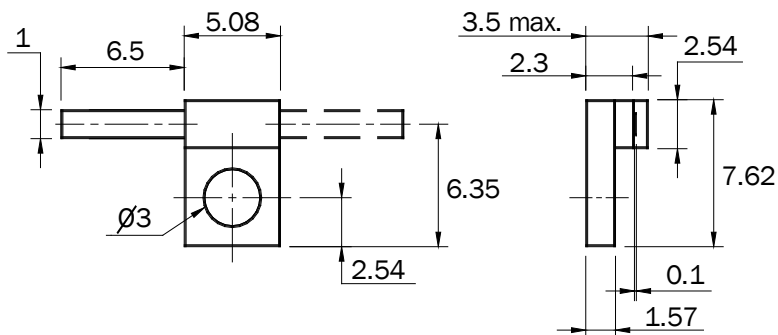
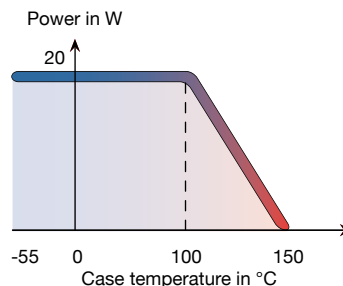


Standards
NF C 96-315
MIL-DTL-39030



Stripline Terminations

| | |
|-------------------------|--------------------------------|
| Substrate | AIN |
| Resistive film | Thick film |
| Tab | Ag |
| Mounting flange/Plating | Cu/Ni |
| Cover substrate | Al ₂ O ₃ |
| Size | 3020 |



Dimensions in mm

[Return to Search by Part Number](#)

| P/N | Frequency (GHz) | Power (W) | Impedance ($\Omega \pm 5\%$) | Max VSWR |
|---------|-----------------|-----------|--------------------------------|----------|
| 17-0634 | 4 | 20 | 50 | 1.20 |
| 17-0635 | 4 | 20 | 50 | 1.20 |

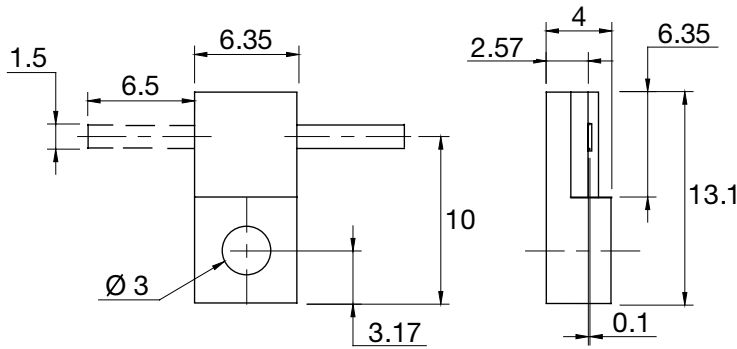
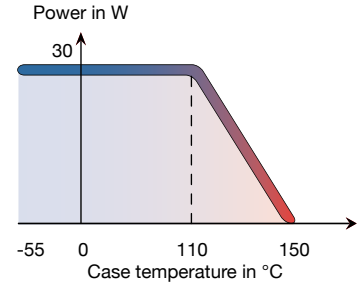
| mm | inch |
|------|-------|
| 0.1 | 0.004 |
| 1.5 | 0.059 |
| 1.57 | 0.062 |
| 2.3 | 0.09 |
| 2.54 | 0.1 |
| 3 | 0.118 |
| 3.5 | 0.138 |
| 5.08 | 0.2 |
| 6.35 | 0.250 |
| 6.5 | 0.256 |
| 7.62 | 0.3 |

30 W 4 GHz BeO

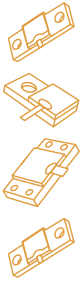
Standards
NF C 96-315
MIL-DTL-39030



| | |
|-------------------------|--------------------------------|
| Substrate | BeO |
| Resistive film | Thick film |
| Tab | Ag |
| Mounting flange/Plating | Cu/Ni |
| Cover substrate | Al ₂ O ₃ |
| Size | 5225 |



Dimensions in mm



[Return to Search by Part Number](#)

| P/N | Frequency (GHz) | Power (W) | Impedance ($\Omega \pm 5\%$) | Max VSWR |
|---------|-----------------|-----------|--------------------------------|----------|
| 17-3801 | 4 | 30 | 50 | 1.20 |
| 17-3181 | 4 | 30 | 50 | 1.20 |
| 17-0304 | 4 | 30 | 50 | 1.20 |

| mm | inch |
|------|-------|
| 0.1 | 0.004 |
| 1.5 | 0.059 |
| 2.57 | 0.101 |
| 3 | 0.118 |
| 3.17 | 0.125 |
| 4 | 0.157 |
| 6.35 | 0.250 |
| 6.5 | 0.256 |
| 10 | 0.394 |
| 13.1 | 0.516 |

30 W 6 GHz BeO

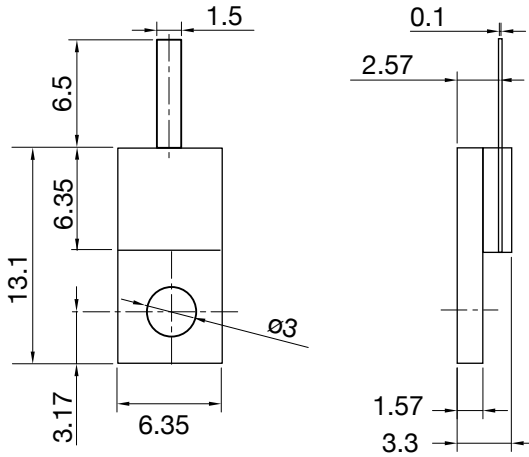
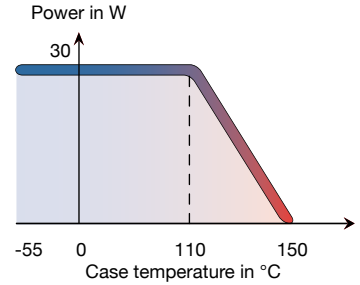


Standards
NF C 96-315
MIL-DTL-39030



Stripline Terminations

| | |
|-------------------------|--------------------------------|
| Substrate | BeO |
| Resistive film | Thick film |
| Tab | Ag |
| Mounting flange/Plating | Cu/Ni |
| Cover substrate | Al ₂ O ₃ |
| Size | 5225 |



Dimensions in mm

[Return to Search by Part Number](#)

| P/N | Frequency (GHz) | Power (W) | Impedance ($\Omega \pm 5\%$) | Max VSWR |
|---------|-----------------|-----------|--------------------------------|----------|
| 17-0596 | 6 | 30 | 50 | 1.30* |
| 17-0597 | 6 | 30 | 50 | 1.30* |
| 17-0598 | 6 | 30 | 50 | 1.30* |

| mm | inch |
|------|-------|
| 0.1 | 0.004 |
| 1.5 | 0.059 |
| 1.57 | 0.062 |
| 2.57 | 0.101 |
| 3 | 0.118 |
| 3.17 | 0.125 |
| 3.3 | 0.13 |
| 6.35 | 0.250 |
| 6.5 | 0.256 |
| 13.1 | 0.516 |

* VSWR \leq 1.06 at 2 GHz

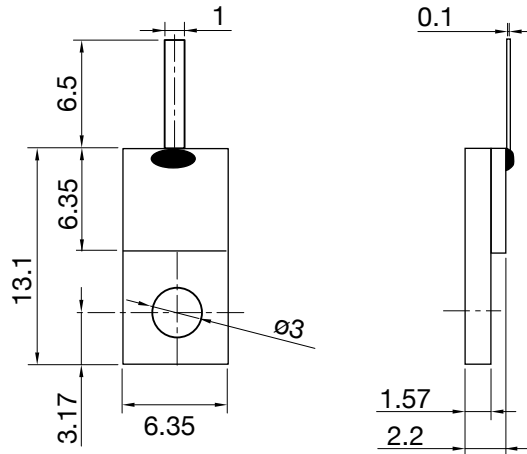
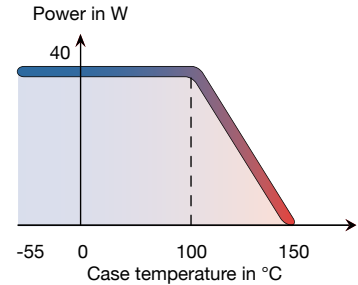
40 W 9 GHz AIN



Standards
NF C 96-315
MIL-DTL-39030



| | |
|-------------------------|---------------------------------|
| Substrate | AIN |
| Resistive film | Thick film |
| Tab | Ag |
| Protection film | Epoxy |
| Mounting flange/Plating | Cu/Ni |
| Tab attachment | Brazed with epoxy encapsulation |
| Size | 5225 |



Dimensions in mm

Stripline Terminations

[Return to Search by Part Number](#)

| P/N | Frequency (GHz) | Power (W) | Impedance ($\Omega \pm 5\%$) | Max VSWR |
|---------|-----------------|-----------|--------------------------------|----------|
| 17-0537 | 9 | 40 | 50 | 1.25 |

| mm | inch |
|------|-------|
| 0.1 | 0.004 |
| 1 | 0.039 |
| 1.57 | 0.062 |
| 2.2 | 0.087 |
| 3 | 0.118 |
| 3.17 | 0.125 |
| 6.35 | 0.250 |
| 6.5 | 0.256 |
| 13.1 | 0.516 |

60 W 2.5 GHz BeO

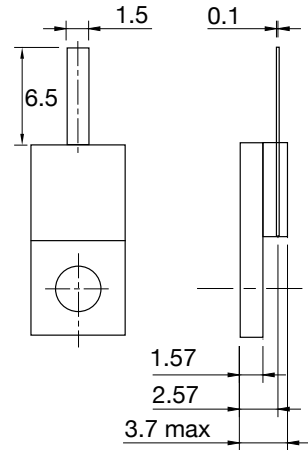
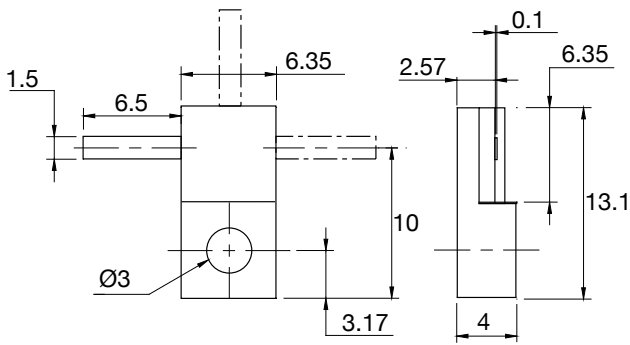
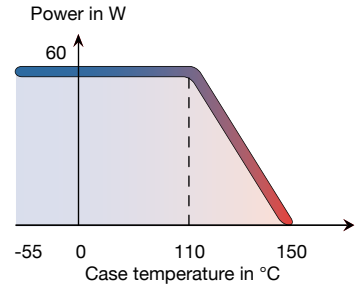


Standards
NF C 96-315
MIL-DTL-39030



Stripline Terminations

| | |
|-------------------------|--------------------------------|
| Substrate | BeO |
| Resistive film | Thick film |
| Tab | Ag |
| Mounting flange/Plating | Cu/Ni |
| Cover substrate | Al ₂ O ₃ |
| Size | 5225 |



Dimensions in mm

17-0290
17-0325
17-0326

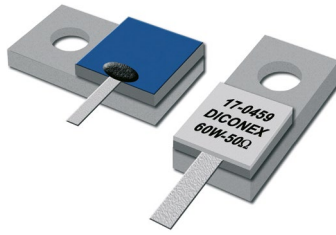
17-0556

[Return to Search by Part Number](#)

| P/N | Frequency (GHz) | Power (W) | Impedance ($\Omega \pm 5\%$) | Max VSWR |
|---------|-----------------|-----------|--------------------------------|----------|
| 17-0290 | 2.5 | 60 | 50 | 1.20 |
| 17-0325 | 2.5 | 60 | 50 | 1.20 |
| 17-0326 | 2.5 | 60 | 50 | 1.20 |
| 17-0556 | 2.5 | 60 | 50 | 1.20 |

| mm | inch |
|------|-------|
| 0.1 | 0.004 |
| 1.5 | 0.059 |
| 1.57 | 0.062 |
| 2.57 | 0.101 |
| 3 | 0.118 |
| 3.17 | 0.125 |
| 3.7 | 0.146 |
| 4 | 0.157 |
| 6.35 | 0.250 |
| 6.5 | 0.256 |
| 10 | 0.394 |
| 13.1 | 0.516 |

60 W 5 GHz AIN

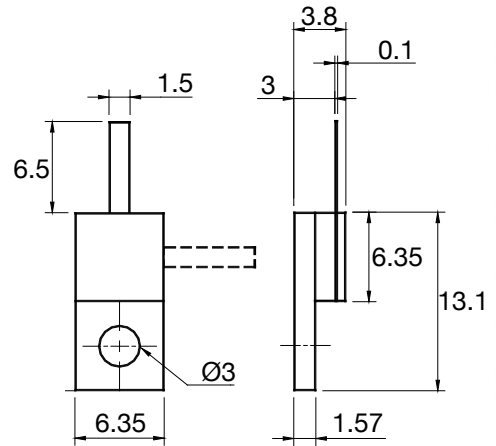
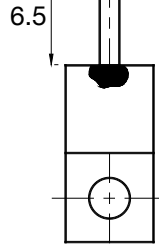
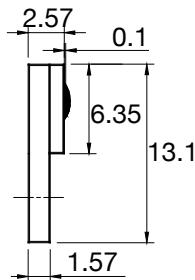
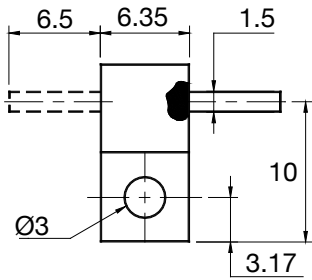
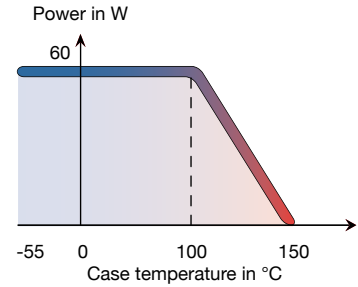


Standards
NF C 96-315
MIL-DTL-39030



Stripline Terminations

| | |
|-------------------------|--|
| Substrate | AlN |
| Resistive film | Thick film |
| Tab | Ag |
| Protection film | Epoxy |
| Mounting flange/Plating | Cu/Ni |
| Tab attachment | Brazed with epoxy encapsulation |
| Cover substrate | Al ₂ O ₃ (P/N : 17-0459 - 17-0524) |
| Size | 5225 |



Dimensions in mm

17-0385
17-0464

17-0390

17-0459
17-0524



[Return to Search by Part Number](#)

| P/N | Frequency (GHz) | Power (W) | Impedance ($\Omega \pm 5\%$) | Max VSWR |
|---------|-----------------|-----------|--------------------------------|----------|
| 17-0390 | 4 | 60 | 50 | 1.25 |
| 17-0385 | 4 | 60 | 50 | 1.25 |
| 17-0464 | 4 | 60 | 50 | 1.25 |
| 17-0459 | 5 | 60 | 50 | 1.20 |
| 17-0524 | 5 | 60 | 50 | 1.20 |

| mm | inch |
|------|-------|
| 0.1 | 0.004 |
| 1.5 | 0.059 |
| 1.57 | 0.062 |
| 2.57 | 0.101 |
| 3 | 0.118 |
| 3.07 | 0.121 |
| 3.17 | 0.125 |
| 3.80 | 0.150 |
| 6.35 | 0.250 |
| 6.5 | 0.256 |
| 10 | 0.394 |
| 13.1 | 0.516 |

60 W 6 GHz BeO

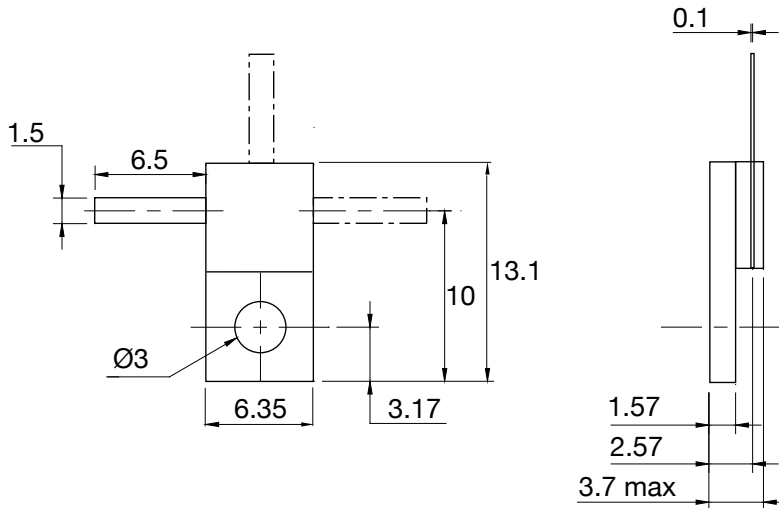
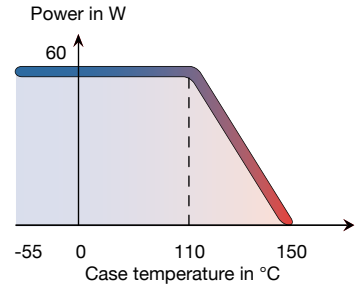


Standards
NF C 96-315
MIL-DTL-39030



Stripline Terminations

| | |
|-------------------------|--------------------------------|
| Substrate | BeO |
| Resistive film | Thick film |
| Tab | Ag |
| Mounting flange/Plating | Cu/Ni |
| Cover substrate | Al ₂ O ₃ |
| Size | 5225 |



Dimensions in mm

[Return to Search by Part Number](#)

| P/N | Frequency (GHz) | Power (W) | Impedance (Ω ± 5%) | Max VSWR |
|---------|-----------------|-----------|--------------------|----------|
| 17-0599 | 6 | 60 | 50 | 1.30* |
| 17-0600 | 6 | 60 | 50 | 1.30* |
| 17-0601 | 6 | 60 | 50 | 1.30* |

| mm | inch |
|------|-------|
| 0.1 | 0.004 |
| 1.5 | 0.059 |
| 1.57 | 0.062 |
| 2.57 | 0.101 |
| 3 | 0.118 |
| 3.17 | 0.125 |
| 3.7 | 0.146 |
| 6.35 | 0.250 |
| 6.5 | 0.256 |
| 10 | 0.394 |
| 13.1 | 0.516 |

* VSWR ≤ 1.06 at 2 GHz

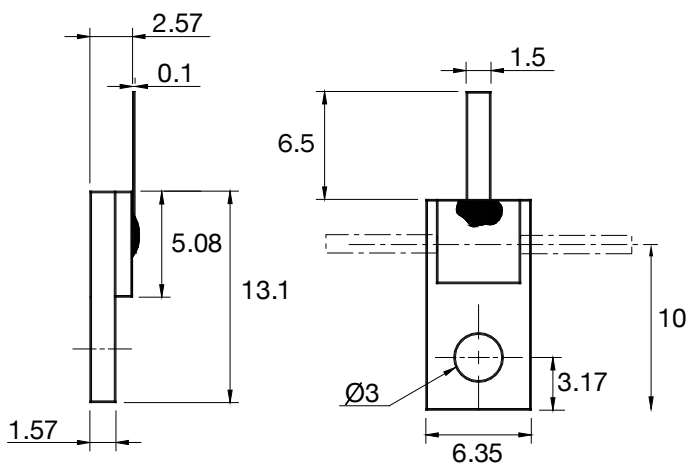
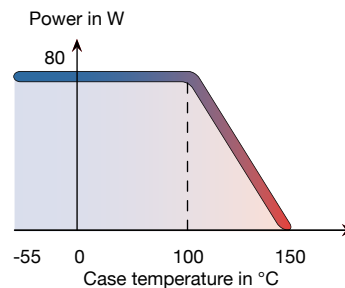
80 W 6 GHz AIN



Standards
NF C 96-315
MIL-DTL-39030



| | |
|-------------------------|---------------------------------|
| Substrate | AIN |
| Resistive film | Thick film |
| Tab | Ag |
| Protection film | Epoxy |
| Mounting flange/Plating | Cu/Ni |
| Tab attachment | Brazed with epoxy encapsulation |
| Size | 5225 |



Dimensions in mm

Stripline Terminations



[Return to Search by Part Number](#)

| P/N | Frequency (GHz) | Power (W) | Impedance ($\Omega \pm 5\%$) | Max VSWR |
|---------|-----------------|-----------|--------------------------------|----------|
| 17-0458 | 6 | 80 | 50 | 1.20* |
| 17-0522 | 6 | 80 | 50 | 1.20* |
| 17-0565 | 6 | 80 | 50 | 1.20* |

| mm | inch |
|------|-------|
| 0.1 | 0.004 |
| 1.5 | 0.059 |
| 1.57 | 0.062 |
| 2.57 | 0.101 |
| 3 | 0.118 |
| 3.17 | 0.125 |
| 5.08 | 0.200 |
| 6.35 | 0.250 |
| 6.5 | 0.256 |
| 10 | 0.394 |
| 13.1 | 0.516 |

* VSWR \leq 1.10 at 3.5 GHz

100 W 2.5 GHz BeO

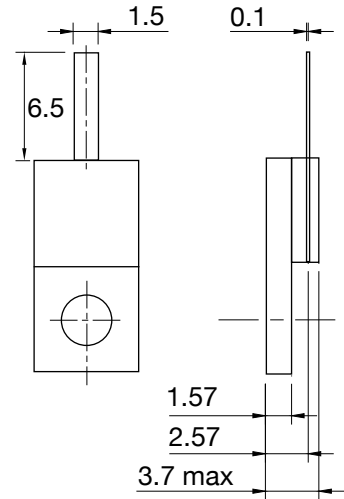
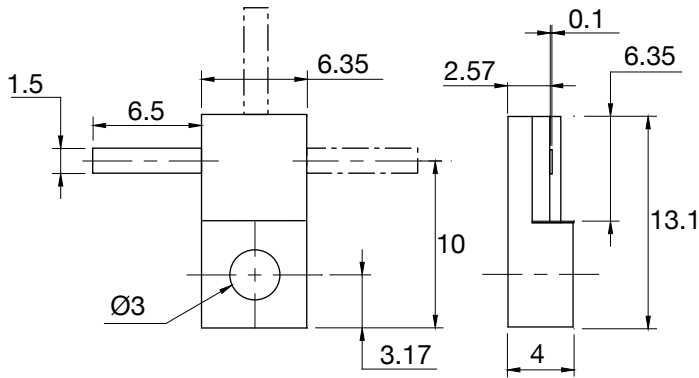
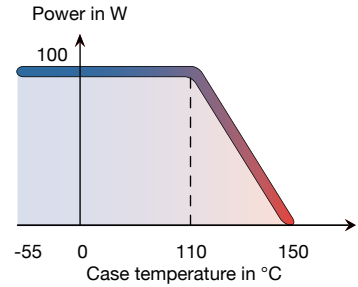


Standards
NF C 96-315
MIL-DTL-39030



Stripline Terminations

| | |
|-------------------------|--------------------------------|
| Substrate | BeO |
| Resistive film | Thick film |
| Tab | Ag |
| Mounting flange/Plating | Cu/Ni |
| Cover substrate | Al ₂ O ₃ |
| Size | 5225 |



17-0295
17-0323
17-0324

17-0558

Dimensions in mm

[Return to Search by Part Number](#)

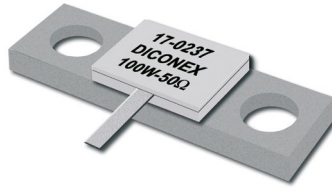
| P/N | Frequency (GHz) | Power (W) | Impedance ($\Omega \pm 5\%$) | Max VSWR |
|---------|-----------------|-----------|--------------------------------|----------|
| 17-0295 | 2.5 | 100 | 50 | 1.20 |
| 17-0323 | 2.5 | 100 | 50 | 1.20 |
| 17-0324 | 2.5 | 100 | 50 | 1.20 |
| 17-0558 | 2.5 | 100 | 50 | 1.20 |

| mm | inch |
|------|-------|
| 0.1 | 0.004 |
| 1.5 | 0.059 |
| 1.57 | 0.062 |
| 2.57 | 0.101 |
| 3 | 0.118 |
| 3.17 | 0.125 |
| 3.7 | 0.146 |
| 4 | 0.157 |
| 6.35 | 0.250 |
| 6.5 | 0.256 |
| 10 | 0.394 |
| 13.1 | 0.516 |

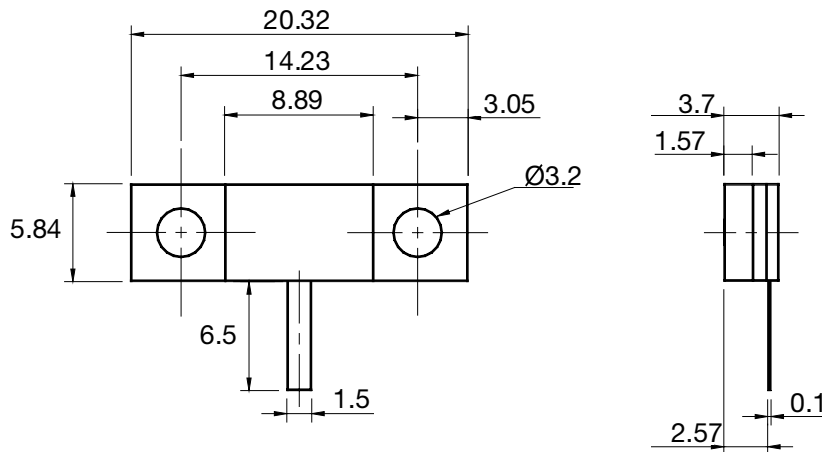
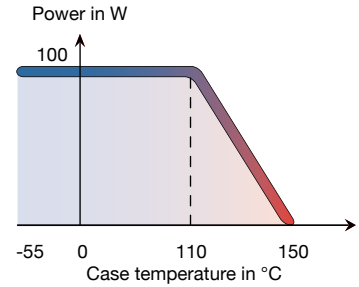


100 W 3 GHz BeO

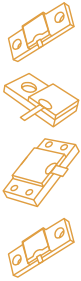
Standards
NF C 96-315
MIL-DTL-39030



| | |
|-------------------------|--------------------------------|
| Substrate | BeO |
| Resistive film | Thick film |
| Tab | Ag |
| Mounting flange/Plating | Cu/Ni |
| Cover substrate | Al ₂ O ₃ |
| Size | 8023 |



Dimensions in mm



[Return to Search by Part Number](#)

| P/N | Frequency (GHz) | Power (W) | Impedance ($\Omega \pm 5\%$) | Max VSWR |
|---------|-----------------|-----------|--------------------------------|----------|
| 17-0237 | 3 | 100 | 50 | 1.20 |

| mm | inch |
|-------|-------|
| 0.1 | 0.004 |
| 1.5 | 0.059 |
| 1.57 | 0.062 |
| 2.57 | 0.101 |
| 3 | 0.118 |
| 3.05 | 0.120 |
| 3.2 | 0.126 |
| 3.7 | 0.146 |
| 4.3 | 0.169 |
| 5.84 | 0.230 |
| 6.5 | 0.256 |
| 8.89 | 0.350 |
| 14.23 | 0.560 |
| 20.32 | 0.800 |

100 W 5 GHz AIN

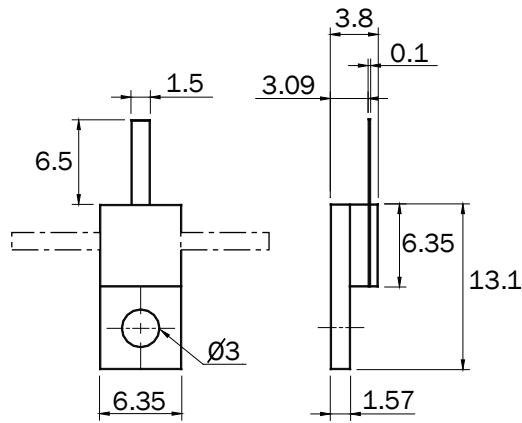
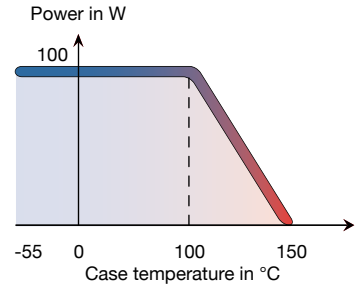


Standards
NF C 96-315
MIL-DTL-39030



Stripline Terminations

| | |
|-------------------------|--------------------------------|
| Substrate | AIN |
| Resistive film | Thick film |
| Tab | Ag |
| Mounting flange/Plating | Cu/Ni |
| Cover substrate | Al ₂ O ₃ |
| Size | 5225 |



Dimensions in mm

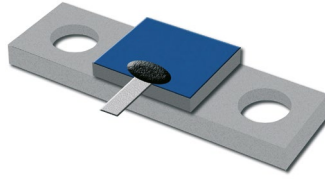
[Return to Search by Part Number](#)

| P/N | Frequency (GHz) | Power (W) | Impedance ($\Omega \pm 5\%$) | Max VSWR |
|---------|-----------------|-----------|--------------------------------|----------|
| 17-0496 | 5 | 100 | 50 | 1.20 |
| 17-0812 | 5 | 100 | 50 | 1.20 |
| 17-0811 | 5 | 100 | 50 | 1.20 |

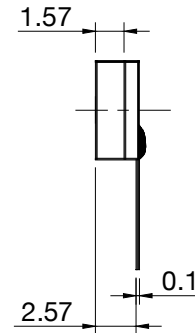
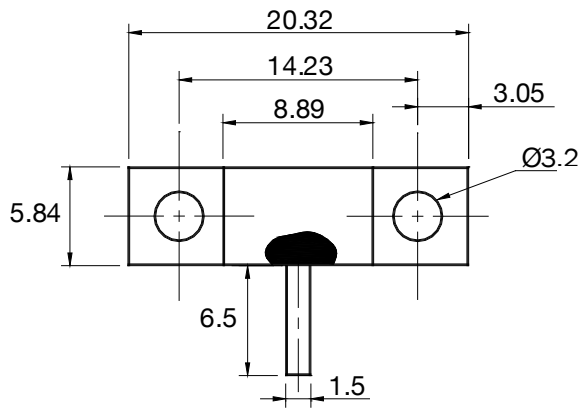
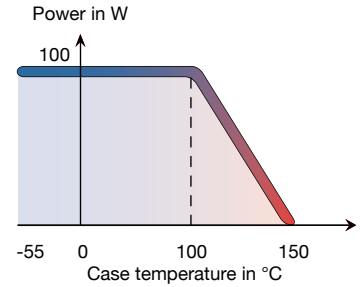
| mm | inch |
|------|-------|
| 0.1 | 0.004 |
| 1.5 | 0.059 |
| 1.57 | 0.062 |
| 3 | 0.118 |
| 3.09 | 0.122 |
| 3.8 | 0.150 |
| 6.35 | 0.250 |
| 6.5 | 0.256 |
| 13.1 | 0.516 |

100 W 5 GHz AIN

Standards
NF C 96-315
MIL-DTL-39030

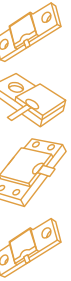


| | |
|-------------------------|---------------------------------|
| Substrate | AIN |
| Resistive film | Thick film |
| Tab | Ag |
| Protection film | Epoxy |
| Mounting flange/Plating | Cu/Ni |
| Tab attachment | Brazed with epoxy encapsulation |
| Size | 8023 |



Dimensions in mm

Stripline Terminations



[Return to Search by Part Number](#)

| P/N | Frequency (GHz) | Power (W) | Impedance ($\Omega \pm 5\%$) | Max VSWR |
|---------|-----------------|-----------|--------------------------------|----------|
| 17-0465 | 5 | 100 | 50 | 1.20* |

| mm | inch |
|-------|-------|
| 0.1 | 0.004 |
| 1.5 | 0.059 |
| 1.57 | 0.062 |
| 2.57 | 0.101 |
| 3.05 | 0.120 |
| 3.2 | 0.126 |
| 5.84 | 0.230 |
| 6.5 | 0.256 |
| 8.89 | 0.350 |
| 14.23 | 0.560 |
| 20.32 | 0.800 |

* VSWR \leq 1.06 at 3.5 GHz

100 W 6 GHz BeO

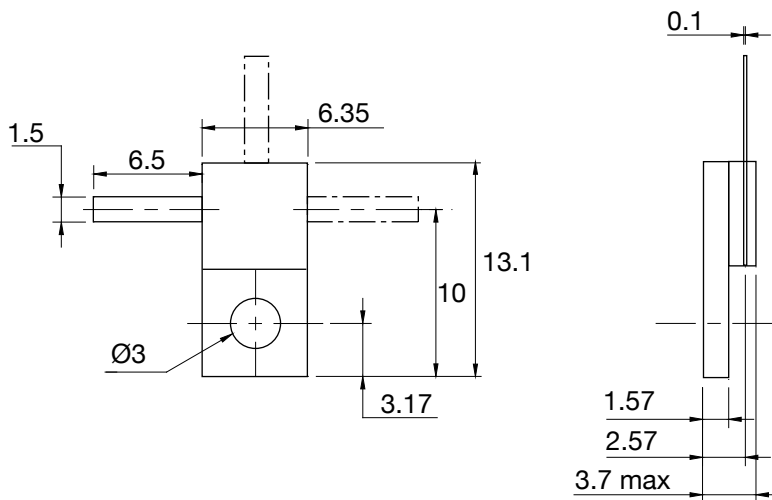
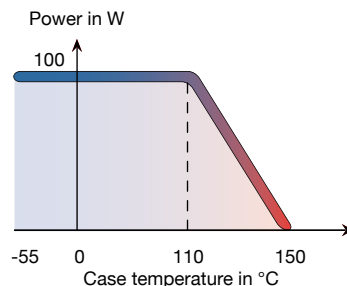


Standards
NF C 96-315
MIL-DTL-39030



Stripline Terminations

| | |
|-------------------------|--------------------------------|
| Substrate | BeO |
| Resistive film | Thick film |
| Tab | Ag |
| Mounting flange/Plating | Cu/Ni |
| Cover substrate | Al ₂ O ₃ |
| Size | 5225 |



Dimensions in mm

[Return to Search by Part Number](#)

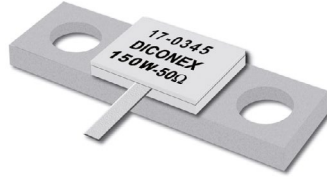
| P/N | Frequency (GHz) | Power (W) | Impedance (Ω ± 5%) | Max VSWR |
|---------|-----------------|-----------|--------------------|----------|
| 17-0602 | 6 | 100 | 50 | 1.30* |
| 17-0603 | 6 | 100 | 50 | 1.30* |
| 17-0604 | 6 | 100 | 50 | 1.30* |

| mm | inch |
|------|-------|
| 0.1 | 0.004 |
| 1.5 | 0.059 |
| 1.57 | 0.062 |
| 2.57 | 0.101 |
| 3 | 0.118 |
| 3.17 | 0.125 |
| 3.7 | 0.146 |
| 6.35 | 0.250 |
| 6.5 | 0.256 |
| 10 | 0.394 |
| 13.1 | 0.516 |

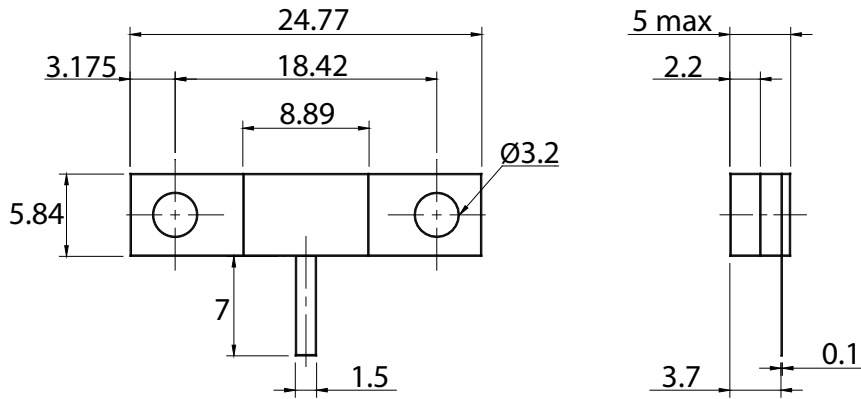
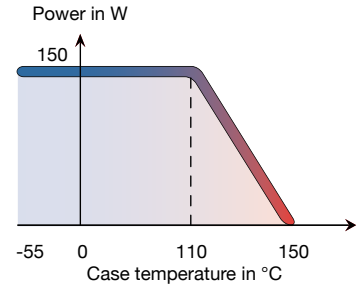
* VSWR ≤ 1.06 at 2 GHz

150 W 2 GHz BeO

Standards
NF C 96-315
MIL-DTL-39030

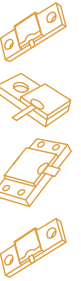


| | |
|-------------------------|--------------------------------|
| Substrate | BeO |
| Resistive film | Thick film |
| Tab | Ag |
| Mounting flange/Plating | Cu/Ni |
| Cover substrate | Al ₂ O ₃ |
| Size | 9823 |



Dimensions in mm

Stripline Terminations



[Return to Search by Part Number](#)

| P/N | Frequency (GHz) | Power (W) | Impedance (Ω ± 5%) | Max VSWR |
|---------|-----------------|-----------|--------------------|----------|
| 17-0345 | 2 | 150 | 50 | 1.20 |

| mm | inch |
|-------|-------|
| 0.1 | 0.004 |
| 1.5 | 0.059 |
| 2.2 | 0.087 |
| 3.175 | 0.125 |
| 3.2 | 0.126 |
| 3.7 | 0.146 |
| 5 | 0.197 |
| 5.84 | 0.230 |
| 7 | 0.276 |
| 8.89 | 0.350 |
| 18.42 | 0.725 |
| 24.77 | 0.975 |

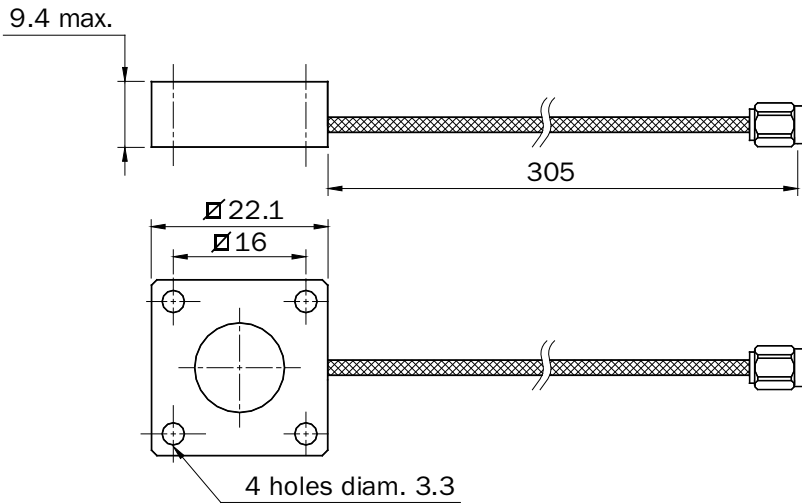
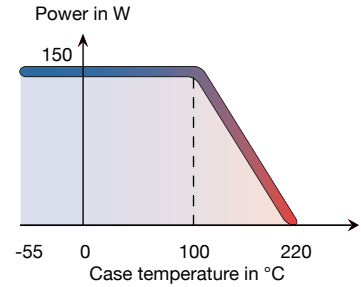
150 W 2 GHz Remote



Standards
NF C 96-315
MIL-DTL-39030



| | |
|----------------|--------------|
| Substrate | AlN |
| Resistive film | Thick film |
| Case/Plating | Aluminium/Ag |
| Cable | 0.086 |
| Connector | SMA male |
| Size | 8787 |

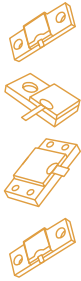


Dimensions in mm

[Return to Search by Part Number](#)

| P/N | Frequency (GHz) | Power (W) | Impedance ($\Omega \pm 5\%$) | Max VSWR |
|---------|-----------------|-----------|--------------------------------|----------|
| 17-0435 | 2 | 150 | 50 | 1.06 |

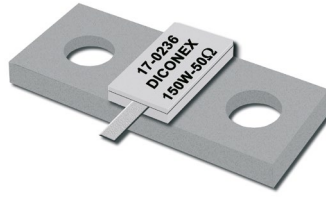
| mm | inch |
|------|-------|
| 3.3 | 0.130 |
| 9.4 | 0.370 |
| 16 | 0.630 |
| 22.1 | 0.870 |
| 305 | 12 |



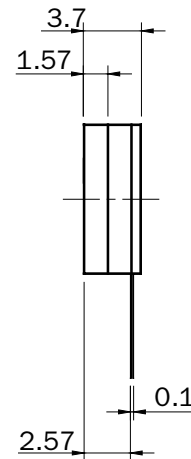
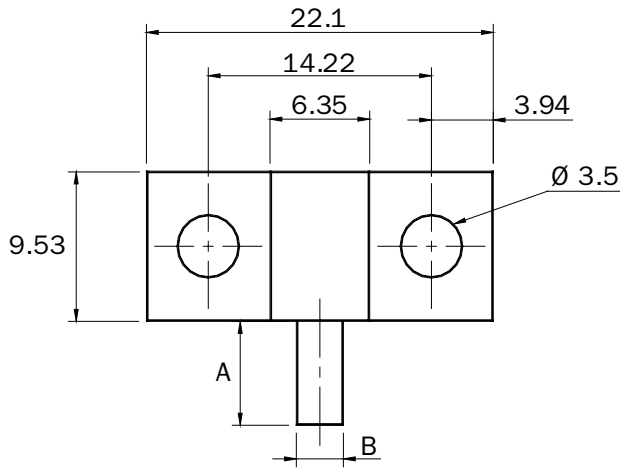
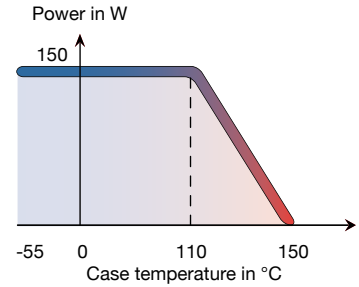


150 W 2.2 GHz BeO

Standards
NF C 96-315
MIL-DTL-39030



| | |
|-------------------------|--------------------------------|
| Substrate | BeO |
| Resistive film | Thick film |
| Tab | Ag |
| Mounting flange/Plating | Cu/Ni |
| Cover substrate | Al ₂ O ₃ |
| Size | 8725 |



Stripline Terminations



Dimensions in mm

[Return to Search by Part Number](#)

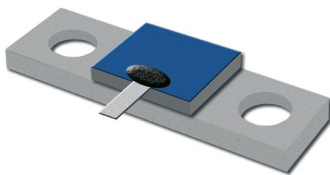
| P/N | Frequency (GHz) | Power (W) | Impedance (Ω ± 5%) | Max VSWR | A (mm) | B (mm) |
|---------|-----------------|-----------|--------------------|----------|--------|--------|
| 17-0236 | 2.2 | 150 | 50 | 1.30 | 10 | 3 |
| 17-0404 | 2.2 | 150 | 50 | 1.30 | 6 | 1.5 |

| mm | inch |
|-------|-------|
| 0.1 | 0.004 |
| 1.57 | 0.062 |
| 2.57 | 0.101 |
| 3 | 0.118 |
| 3.5 | 0.138 |
| 3.7 | 0.146 |
| 3.94 | 0.155 |
| 4.3 | 0.169 |
| 6 | 0.236 |
| 6.35 | 0.250 |
| 9.53 | 0.375 |
| 10 | 0.394 |
| 14.22 | 0.560 |
| 22.1 | 0.870 |

150 W 3 GHz AIN

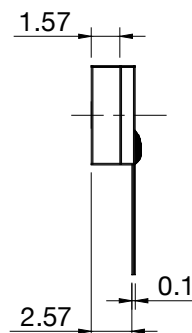
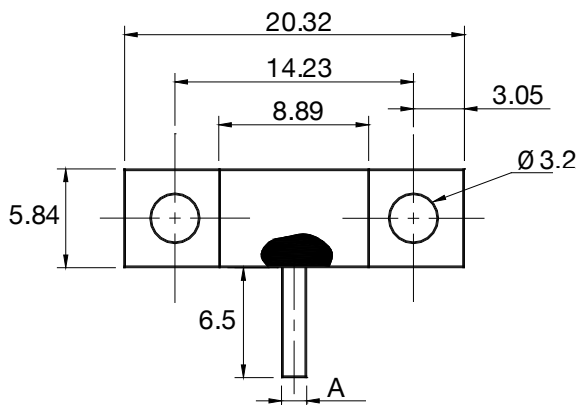
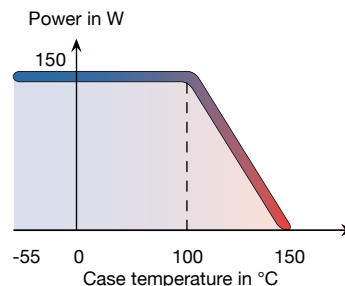


Standards
NF C 96-315
MIL-DTL-39030



Stripline Terminations

| | |
|-------------------------|---------------------------------|
| Substrate | AIN |
| Resistive film | Thick film |
| Tab | Ag |
| Protection film | Epoxy |
| Mounting flange/Plating | Cu/Ni |
| Tab attachment | Brazed with epoxy encapsulation |
| Size | 8023 |



Dimensions in mm

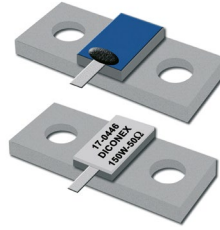
[Return to Search by Part Number](#)

| P/N | Frequency (GHz) | Power (W) | Impedance ($\Omega \pm 5\%$) | Max VSWR | A (mm) |
|---------|-----------------|-----------|--------------------------------|----------|--------|
| 17-0532 | 3 | 150 | 50 | 1.20 | 1.5 |
| 17-0646 | 3 | 150 | 50 | 1.20 | 3 |

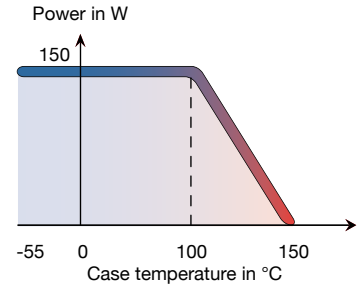
| mm | inch |
|-------|-------|
| 0.1 | 0.004 |
| 1.5 | 0.059 |
| 1.57 | 0.062 |
| 2.57 | 0.101 |
| 3 | 0.118 |
| 3.05 | 0.120 |
| 3.2 | 0.126 |
| 5.84 | 0.230 |
| 6.5 | 0.256 |
| 8.89 | 0.350 |
| 14.23 | 0.560 |
| 20.32 | 0.800 |

150 W 4 GHz AIN

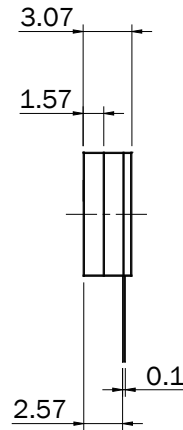
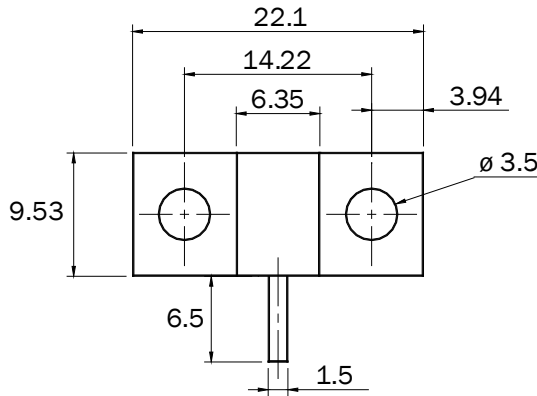
Standards
NF C 96-315
MIL-DTL-39030



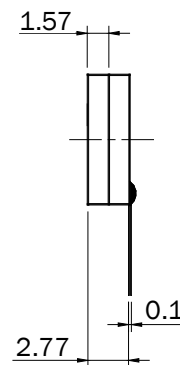
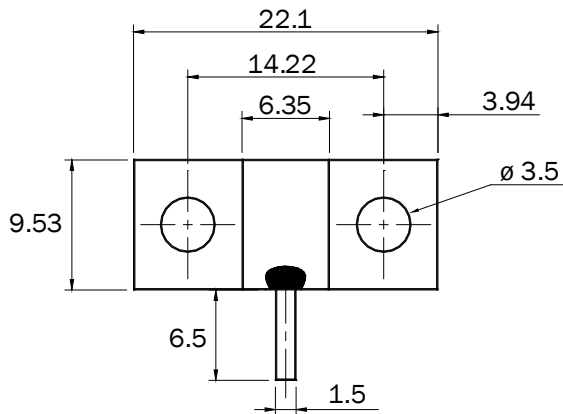
| | |
|-------------------------|--|
| Substrate | AIN |
| Resistive film | Thick film |
| Tab | Ag |
| Protection film | Epoxy |
| Mounting flange/Plating | Cu/Ni |
| Tab attachment | Brazed with epoxy encapsulation (17-0481) |
| Cover substrate | Al ₂ O ₃ (17-0446, 17-0684, 17-0687) |
| Size | 8725 |



17-0446
17-0684
17-0687



17-0481



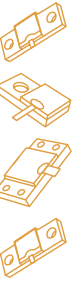
Dimensions in mm

[Return to Search by Part Number](#)

| P/N | Frequency (GHz) | Power (W) | Impedance ($\Omega \pm 5\%$) | Max VSWR |
|---------|-----------------|-----------|--------------------------------|----------|
| 17-0687 | 2 | 150 | 25 | - |
| 17-0446 | 3 | 150 | 50 | 1.10 |
| 17-0684 | 2 | 150 | 100 | - |
| 17-0481 | 4 | 150 | 50 | 1.20 |

| mm | inch |
|-------|-------|
| 0.1 | 0.004 |
| 1.5 | 0.059 |
| 1.57 | 0.062 |
| 2.57 | 0.101 |
| 2.77 | 0.109 |
| 3.07 | 0.121 |
| 3.5 | 0.138 |
| 3.94 | 0.155 |
| 6.35 | 0.250 |
| 6.5 | 0.256 |
| 9.53 | 0.375 |
| 14.22 | 0.560 |
| 22.1 | 0.870 |

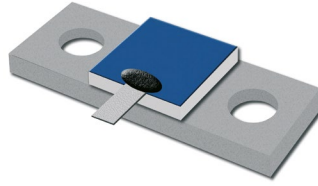
Stripline Terminations



220 W 5 GHz BeO

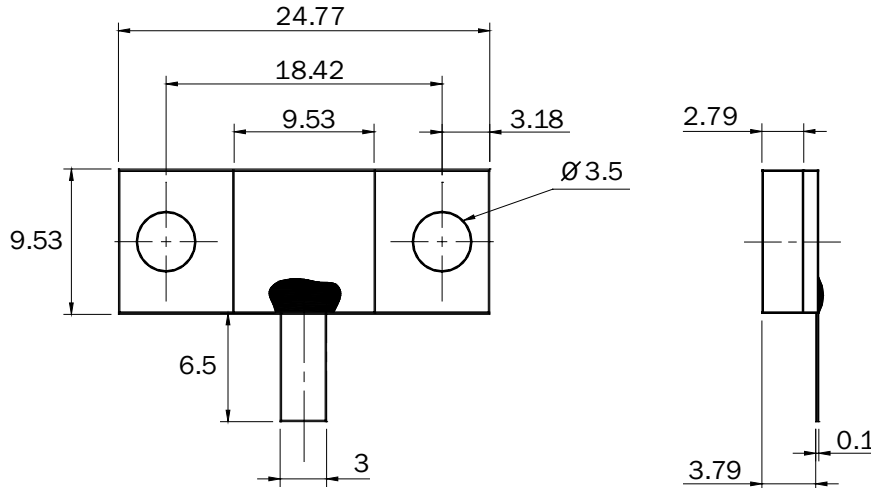
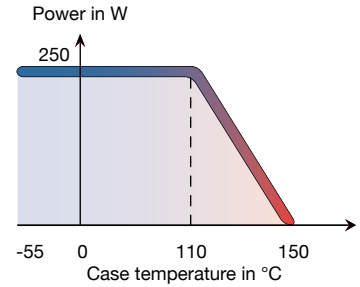


Standards
NF C 96-315
MIL-DTL-39030



Stripline Terminations

| | |
|-------------------------|---------------------------------|
| Substrate | BeO |
| Resistive film | Thick film |
| Tab | Ag |
| Protection film | Epoxy |
| Mounting flange/Plating | Cu/Ni |
| Tab attachment | Brazed with epoxy encapsulation |
| Size | 9838 |



Dimensions in mm

[Return to Search by Part Number](#)

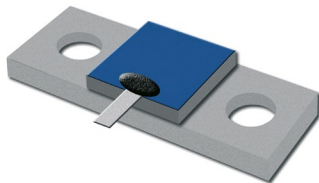
| P/N | Frequency (GHz) | Power (W) | Impedance ($\Omega \pm 5\%$) | Max VSWR |
|---------|-----------------|-----------|--------------------------------|----------|
| 17-0850 | 5 | 220 | 50 | 1.10 |

| mm | inch |
|-------|-------|
| 0.1 | 0.004 |
| 2.79 | 0.110 |
| 3 | 0.118 |
| 3.18 | 0.125 |
| 3.5 | 0.138 |
| 3.79 | 0.149 |
| 6.5 | 0.256 |
| 9.53 | 0.375 |
| 18.42 | 0.725 |
| 24.77 | 0.975 |

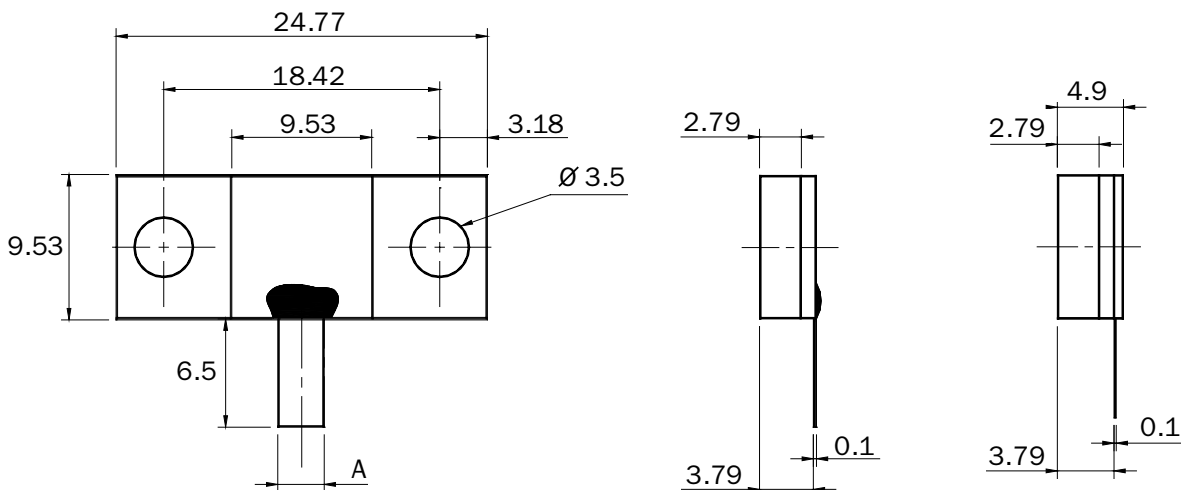
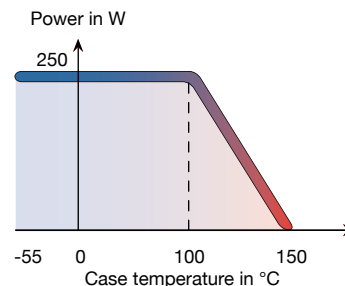


250 W 2.2 GHz AIN

Standards
NF C 96-315
MIL-DTL-39030



| | |
|-------------------------|--|
| Substrate | AIN |
| Resistive film | Thick film |
| Tab | Ag |
| Protection film | Epoxy |
| Mounting flange/Plating | Cu/Ni |
| Tab attachment | Brazed with epoxy encapsulation |
| Cover substrate | Al ₂ O ₃ (P/N 17-0560) |
| Size | 9838 |



Dimensions in mm

17-0560

Stripline Terminations



[Return to Search by Part Number](#)

| P/N | Frequency (GHz) | Power (W) | Impedance ($\Omega \pm 5\%$) | Max VSWR | A (mm) |
|---------|-----------------|-----------|--------------------------------|----------|--------|
| 17-0408 | 2.2 | 250 | 50 | 1.10* | 3 |
| 17-0513 | 2.2 | 250 | 50 | 1.10* | 1.5 |
| 17-0466 | 0.2 | 250 | 100 | - | 3 |
| 17-0560 | 2 | 250 | 50 | 1.06** | 3 |

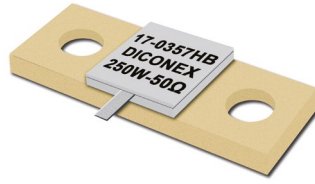
| mm | inch |
|-------|-------|
| 0.1 | 0.004 |
| 1.5 | 0.059 |
| 2.79 | 0.110 |
| 3 | 0.118 |
| 3.18 | 0.125 |
| 3.5 | 0.138 |
| 3.79 | 0.149 |
| 4.9 | 0.193 |
| 6.5 | 0.256 |
| 9.53 | 0.375 |
| 18.42 | 0.725 |
| 24.77 | 0.975 |

* VSWR \leq 1.05 at 870 MHz
** VSWR \leq 1.20 at 2.2 GHz

250 W 3 GHz BeO High Brazed

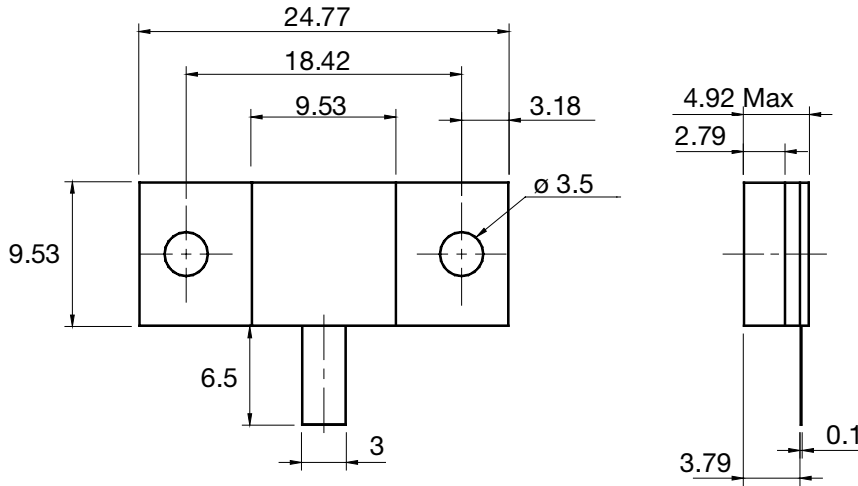
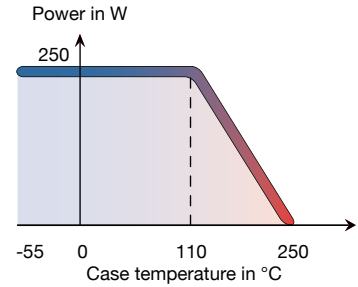


Standards
NF C 96-315
MIL-DTL-39030



Stripline Terminations

| | |
|-------------------------|--------------------------------|
| Substrate | BeO |
| Resistive film | Thick film |
| Tab/Plating | CuBe/Au |
| Mounting flange/Plating | Cu/Au |
| Cover substrate | Al ₂ O ₃ |
| Size | 9838 |



Dimensions in mm

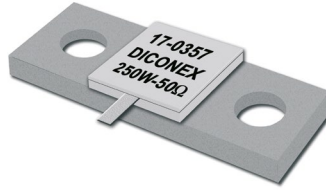
[Return to Search by Part Number](#)

| P/N | Frequency (GHz) | Power (W) | Impedance ($\Omega \pm 5\%$) | Max VSWR |
|-----------|-----------------|-----------|--------------------------------|----------|
| 17-0357HB | 3 | 250 | 50 | 1.25 |

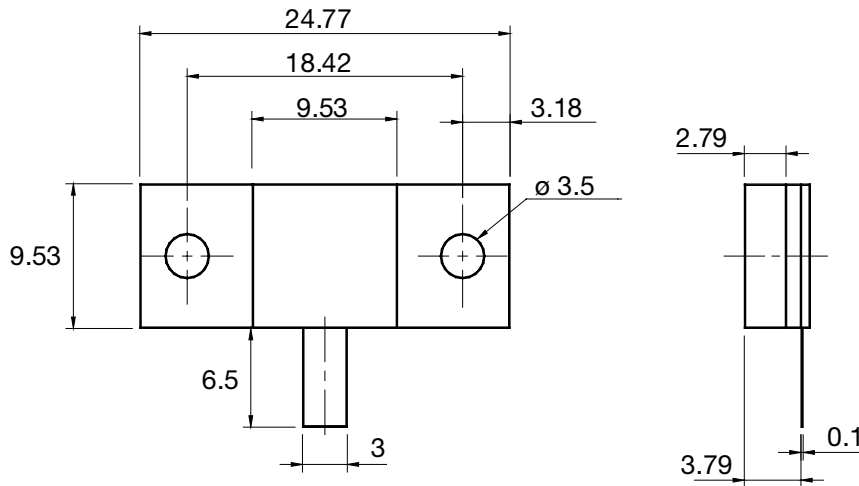
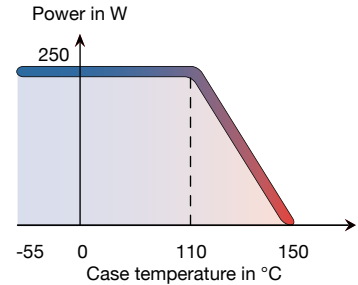
| mm | inch |
|-------|-------|
| 0.1 | 0.004 |
| 2.79 | 0.110 |
| 3 | 0.118 |
| 3.18 | 0.125 |
| 3.5 | 0.138 |
| 3.79 | 0.149 |
| 4.92 | 0.194 |
| 6.5 | 0.256 |
| 9.53 | 0.375 |
| 18.42 | 0.725 |
| 24.77 | 0.975 |

250 W 4 GHz BeO

Standards
NF C 96-315
MIL-DTL-39030



| | |
|-------------------------|--------------------------------|
| Substrate | BeO |
| Resistive film | Thick film |
| Tab/Plating | Ag |
| Mounting flange/Plating | Cu/Ni |
| Cover substrate | Al ₂ O ₃ |
| Size | 9838 |



Dimensions in mm

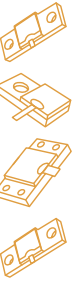
[Return to Search by Part Number](#)

| P/N | Frequency (GHz) | Power (W) | Impedance ($\Omega \pm 5\%$) | Max VSWR | A (mm) |
|---------|-----------------|-----------|--------------------------------|----------|--------|
| 17-0525 | 1 | 250 | 12.5 | - | 3 |
| 17-0340 | 1 | 250 | 50 | 1.30 | 3 |
| 17-0906 | 3 | 250 | 50 | 1.25 | 1.5 |
| 17-0357 | 3 | 250 | 50 | 1.25 | 3 |
| 17-0469 | 0.3 | 250 | 100 | - | 3 |
| 17-0606 | 3.5 | 250 | 50 | 1.30* | 3 |
| 17-0697 | 4 | 250 | 50 | 1.20** | 1.5 |
| 17-0699 | 4 | 250 | 50 | 1.20** | 3 |

| mm | inch |
|-------|-------|
| 0.1 | 0.004 |
| 1.5 | 0.059 |
| 2.79 | 0.110 |
| 3 | 0.118 |
| 3.18 | 0.125 |
| 3.5 | 0.138 |
| 3.79 | 0.149 |
| 4.9 | 0.193 |
| 6.5 | 0.256 |
| 9.53 | 0.375 |
| 18.42 | 0.725 |
| 24.77 | 0.975 |

* VSWR ≤ 1.06 at 1.5 GHz

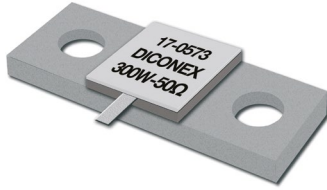
** Optimized for digital applications VSWR ≤ 1.06 at 850 MHz



300 W 1 GHz AIN

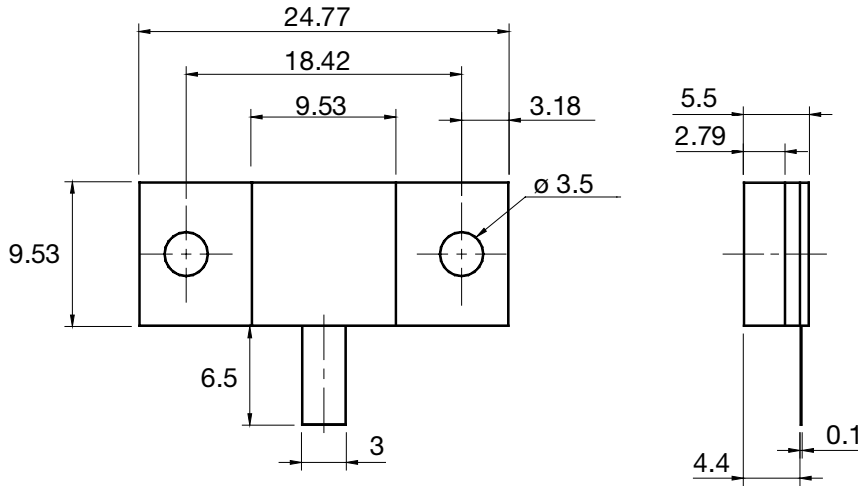
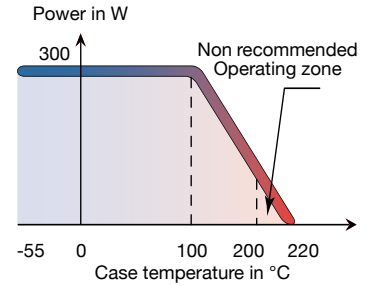


Standards
NF C 96-315
MIL-DTL-39030



Stripline Terminations

| | |
|-------------------------|--------------------------------|
| Substrate | AIN |
| Resistive film | Thick film |
| Tab/Plating | Ag |
| Mounting flange/Plating | Cu/Ni |
| Cover substrate | Al ₂ O ₃ |
| Size | 9838 |



Dimensions in mm

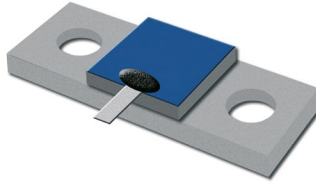
[Return to Search by Part Number](#)

| P/N | Frequency (GHz) | Power (W) | Impedance ($\Omega \pm 5\%$) | Max VSWR |
|---------|-----------------|-----------|--------------------------------|----------|
| 17-0573 | 1 | 300 | 50 | 1.06 |

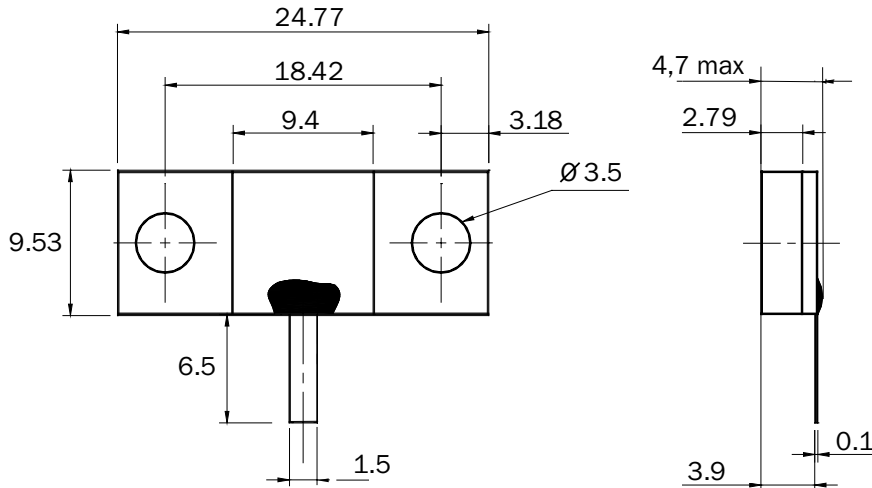
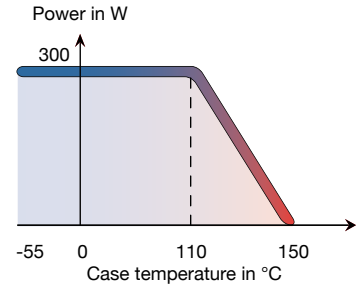
| mm | inch |
|-------|-------|
| 0.1 | 0.004 |
| 2.79 | 0.110 |
| 3 | 0.118 |
| 3.18 | 0.125 |
| 3.5 | 0.138 |
| 4.4 | 0.173 |
| 5.5 | 0.216 |
| 6.5 | 0.256 |
| 9.53 | 0.375 |
| 18.42 | 0.725 |
| 24.77 | 0.975 |

300 W 6 GHz BeO

Standards
NF C 96-315
MIL-DTL-39030



| | |
|-------------------------|---------------------------------|
| Substrate | BeO |
| Resistive film | Thick film |
| Tab | Ag |
| Protection film | Epoxy |
| Mounting flange/Plating | Cu/Ni |
| Tab attachment | Brazed with epoxy encapsulation |
| Size | 9838 |



Dimensions in mm

Stripline Terminations



Return to Search by Part Number

| P/N | Frequency (GHz) | Power (W) | Impedance ($\Omega \pm 5\%$) | Max VSWR |
|---------|-----------------|-----------|--------------------------------|----------|
| 17-0943 | 6 | 300 | 50 | 1.30* |

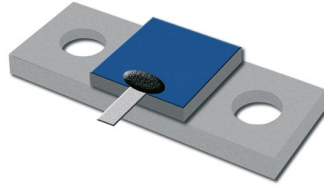
| mm | inch |
|-------|-------|
| 0.1 | 0.004 |
| 1.5 | 0.059 |
| 2.79 | 0.110 |
| 3 | 0.118 |
| 3.18 | 0.125 |
| 3.5 | 0.138 |
| 3.9 | 0.153 |
| 4.7 | 0.185 |
| 6.5 | 0.256 |
| 9.4 | 0.370 |
| 9.53 | 0.375 |
| 18.42 | 0.725 |
| 24.77 | 0.975 |

* VSWR \leq 1.15 at 4 GHz

400 W 1 GHz AIN

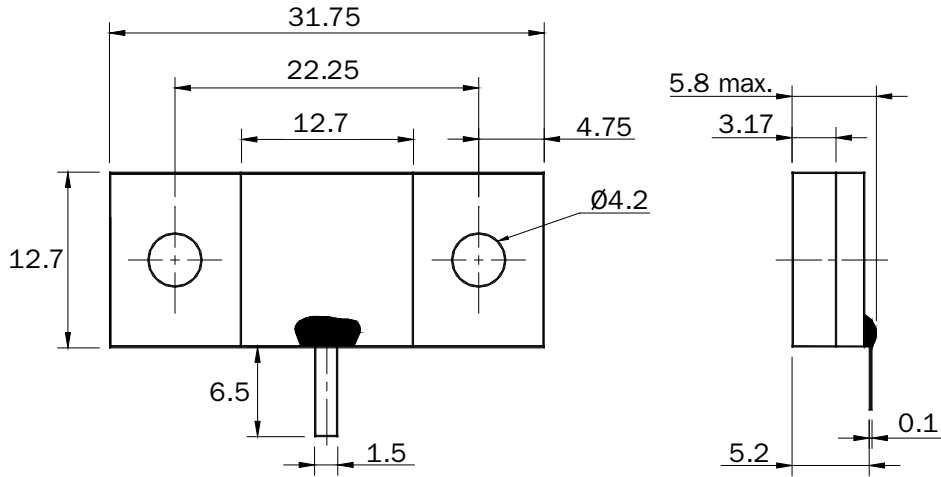
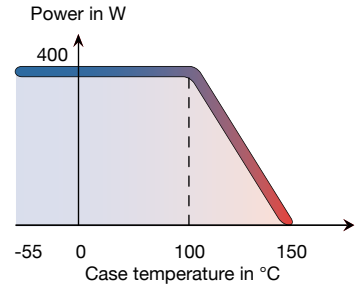


Standards
NF C 96-315
MIL-DTL-39030



Stripline Terminations

| | |
|-------------------------|---------------------------------|
| Substrate | AIN |
| Resistive film | Thick film |
| Tab | Ag |
| Protection film | Epoxy |
| Mounting flange/Plating | Cu/Ni |
| Tab attachment | Brazed with epoxy encapsulation |
| Size | 12550 |



Dimensions in mm

[Return to Search by Part Number](#)

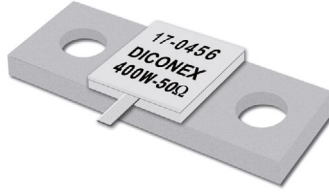
| P/N | Frequency (GHz) | Power (W) | Impedance ($\Omega \pm 5\%$) | Max VSWR |
|---------|-----------------|-----------|--------------------------------|----------|
| 17-0438 | 1 | 400 | 50 | 1.10* |

| mm | inch |
|-------|-------|
| 0.1 | 0.004 |
| 1.5 | 0.059 |
| 3.17 | 0.125 |
| 4.2 | 0.165 |
| 4.75 | 0.187 |
| 5.2 | 0.200 |
| 5.8 | 0.228 |
| 6.5 | 0.256 |
| 12.7 | 0.500 |
| 22.25 | 0.876 |
| 31.75 | 1.250 |

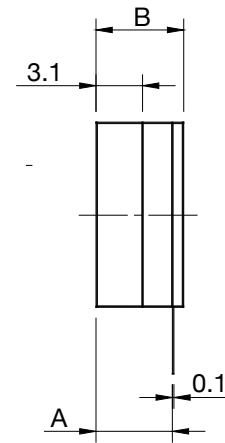
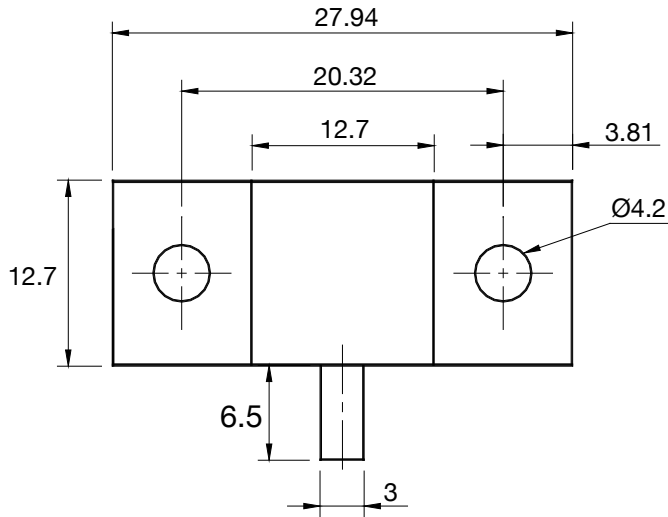
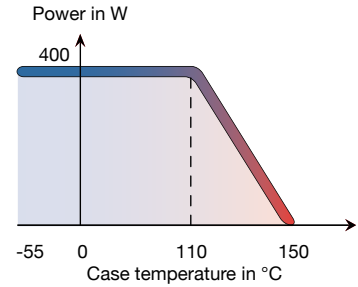
* VSWR \leq 1.05 at 860 MHz

400 W 2 GHz BeO

Standards
NF C 96-315
MIL-DTL-39030

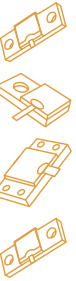


| | |
|-------------------------|--------------------------------|
| Substrate | BeO |
| Resistive film | Thick film |
| Tab | Ag |
| Mounting flange/Plating | Cu/Ni |
| Cover substrate | Al ₂ O ₃ |
| Size | 11050 |



Dimensions in mm

Stripline Terminations



[Return to Search by Part Number](#)

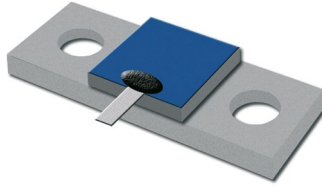
| P/N | Frequency (GHz) | Power (W) | Impedance ($\Omega \pm 5\%$) | Max VSWR | A (mm) | B (mm) |
|---------|-----------------|-----------|--------------------------------|----------|--------|--------|
| 17-0528 | 0.5 | 400 | 50 | 1.25 | 4.2 | 5.1 |
| 17-0456 | 1 | 400 | 50 | 1.20 | 5.1 | 6 |
| 17-0612 | 1 | 400 | 100 | - | 5.1 | 6 |
| 17-0890 | 2 | 400 | 50 | 1.25 | 5.1 | 6 |

| mm | inch |
|-------|-------|
| 0.1 | 0.004 |
| 3 | 0.118 |
| 3.1 | 0.125 |
| 3.81 | 0.150 |
| 4.2 | 0.165 |
| 5.1 | 0.200 |
| 6 | 0.236 |
| 6.5 | 0.256 |
| 12.7 | 0.500 |
| 20.32 | 0.800 |
| 27.94 | 1.100 |

450 W 3 GHz AIN

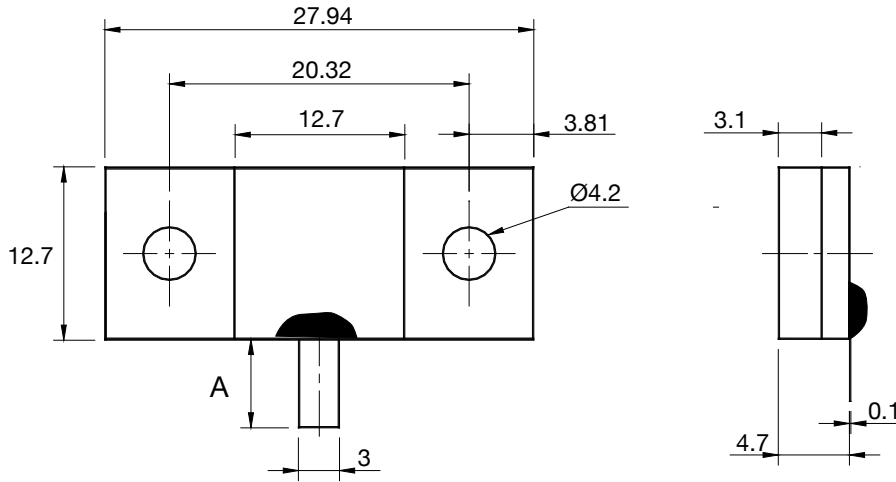
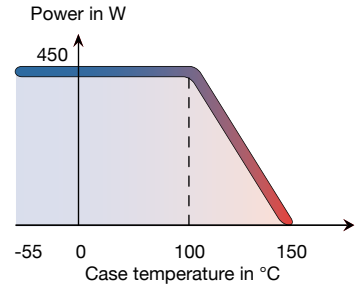


Standards
NF C 96-315
MIL-DTL-39030



Stripline Terminations

| | |
|-------------------------|---------------------------------|
| Substrate | AIN |
| Resistive film | Thick film |
| Tab | CuBe2/Ag |
| Protection film | Epoxy |
| Mounting flange/Plating | Cu/Ni |
| Tab attachment | Brazed with epoxy encapsulation |
| Size | 11050 |



Dimensions in mm

[Return to Search by Part Number](#)

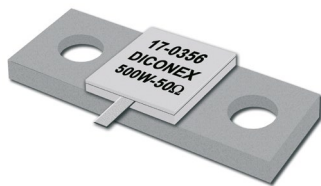
| P/N | Frequency (GHz) | Power (W) | Impedance ($\Omega \pm 5\%$) | Max VSWR | A (mm) |
|---------|-----------------|-----------|--------------------------------|----------|--------|
| 17-0821 | 3 | 450 | 50 | 1.30* | 6.5 |
| 17-0868 | 3 | 450 | 50 | 1.30* | 14 |

| mm | inch |
|-------|-------|
| 0.1 | 0.004 |
| 3 | 0.118 |
| 3.1 | 0.125 |
| 3.81 | 0.150 |
| 4.2 | 0.165 |
| 4.7 | 0.187 |
| 5.3 | 0.209 |
| 6.5 | 0.256 |
| 12.7 | 0.500 |
| 14 | 0.551 |
| 20.32 | 0.800 |
| 27.94 | 1.100 |

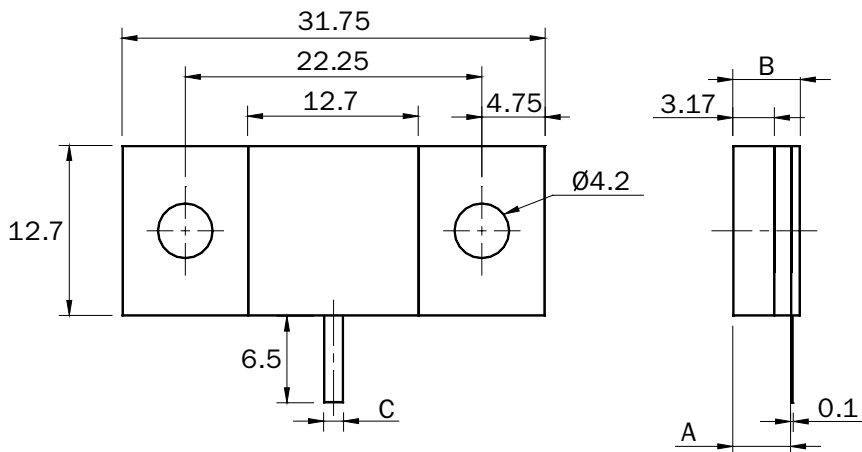
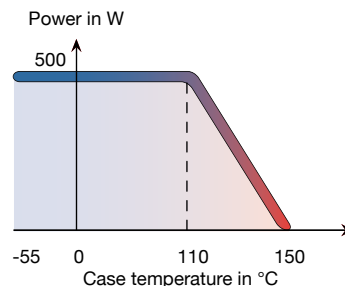
* VSWR \leq 1.10 at 860 MHz

500 W 2 GHz BeO

Standards
NF C 96-315
MIL-DTL-39030



| | |
|-------------------------|--------------------------------|
| Substrate | BeO |
| Resistive film | Thick film |
| Tab/Plating | Ag |
| Mounting flange/Plating | Cu/Ni |
| Cover substrate | Al ₂ O ₃ |
| Size | 12550 |



Dimensions in mm

[Return to Search by Part Number](#)

| P/N | Frequency (GHz) | Power (W) | Impedance ($\Omega \pm 5\%$) | Max VSWR | A (mm) | B (mm) | C (mm) |
|---------|-----------------|-----------|--------------------------------|----------|--------|--------|--------|
| 17-0329 | 0.5 | 500 | 50 | 1.25 | 4.2 | 5.1 | 1.5 |
| 17-0681 | 0.5 | 500 | 100 | - | 4.2 | 5.1 | 1.5 |
| 17-0898 | 1 | 500 | 50 | 1.2 | 5.2 | 6 | 1 |
| 17-0356 | 1 | 500 | 50 | 1.2 | 5.1 | 6 | 1.5 |
| 17-0515 | 1 | 500 | 50 | 1.2 | 5.1 | 6 | 3 |
| 17-0649 | 2 | 500 | 50 | 1.25 | 5.1 | 6 | 3 |

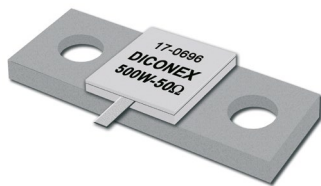
| mm | inch |
|-------|-------|
| 0.1 | 0.004 |
| 1 | 0.039 |
| 1.5 | 0.059 |
| 3 | 0.118 |
| 3.17 | 0.125 |
| 4.2 | 0.165 |
| 4.75 | 0.187 |
| 5.1 | 0.201 |
| 6 | 0.236 |
| 6.5 | 0.256 |
| 12.7 | 0.500 |
| 22.25 | 0.876 |
| 31.75 | 1.250 |



500 W 4 GHz BeO

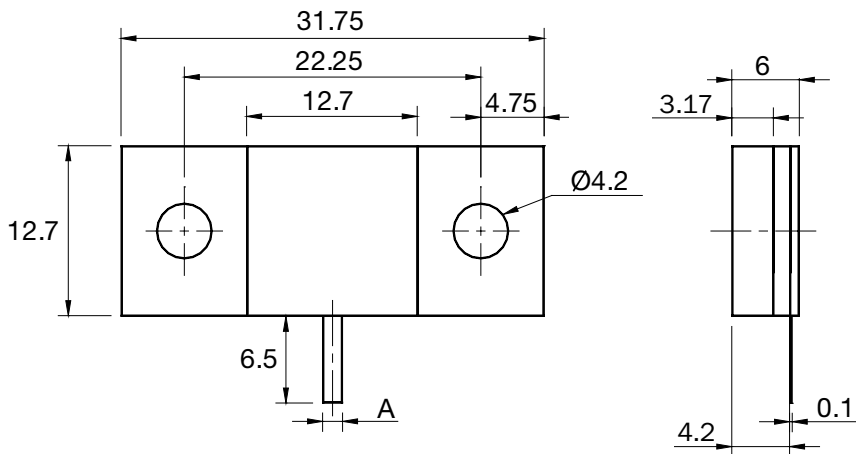
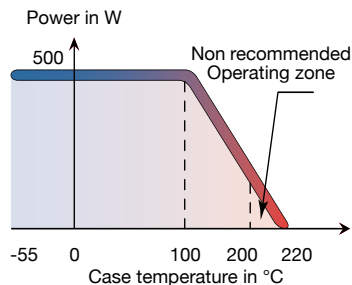


Standards
NF C 96-315
MIL-DTL-39030

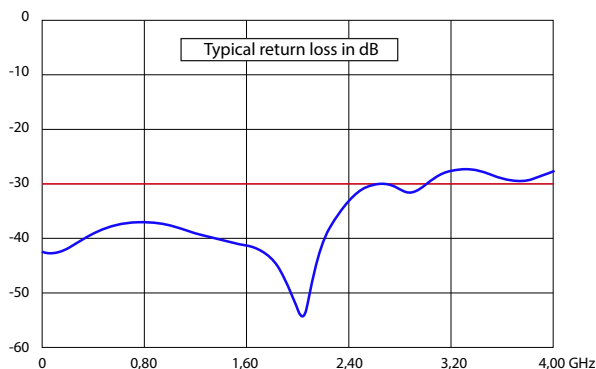


Stripline Terminations

| | |
|-------------------------|--------------------------------|
| Substrate | BeO |
| Resistive film | Thick film |
| Tab/Plating | Ag |
| Mounting flange/Plating | Cu/Ni |
| Cover substrate | Al ₂ O ₃ |
| Size | 12550 |



Dimensions in mm



[Return to Search by Part Number](#)

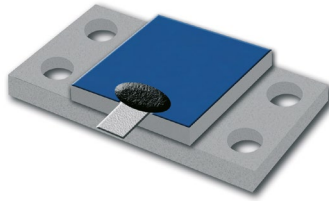
| P/N | Frequency (GHz) | Power (W) | Impedance ($\Omega \pm 5\%$) | Max VSWR* | A (mm) |
|---------|-----------------|-----------|--------------------------------|-----------|--------|
| 17-0696 | 4 | 500 | 50 | 1.20 | 1.5 |
| 17-0698 | 4 | 500 | 50 | 1.20 | 3 |

| mm | inch |
|-------|-------|
| 0.1 | 0.004 |
| 1.5 | 0.059 |
| 3.17 | 0.125 |
| 4.2 | 0.165 |
| 4.75 | 0.187 |
| 5.1 | 0.201 |
| 6 | 0.236 |
| 6.5 | 0.256 |
| 12.7 | 0.500 |
| 22.25 | 0.876 |
| 31.75 | 1.250 |

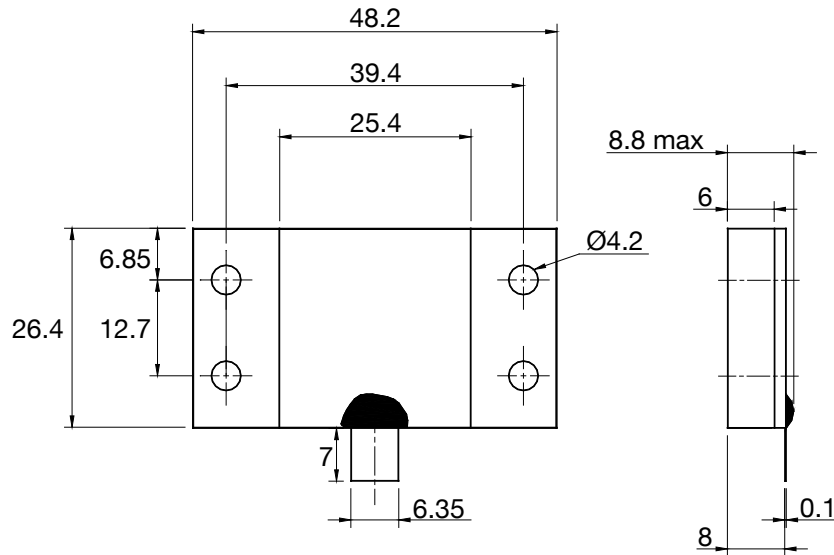
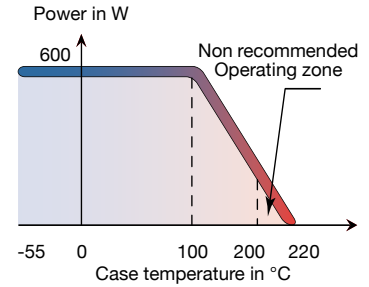
* Optimised for digital applications VSWR ≤ 1.06 at 860 MHz

600 W 1 GHz AIN

Standards
NF C 96-315
MIL-DTL-39030

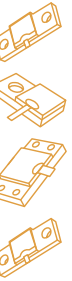


| | |
|-------------------------|---------------------------------|
| Substrate | AIN |
| Resistive film | Thick film |
| Tab | CuBe/Ag |
| Protection film | Epoxy |
| Mounting flange/Plating | Cu/Ni |
| Tab attachment | Brazed with epoxy encapsulation |
| Size | 190104 |



Dimensions in mm

Stripline Terminations



[Return to Search by Part Number](#)

| P/N | Frequency (GHz) | Power (W) | Impedance ($\Omega \pm 5\%$) | Max VSWR | A (mm) |
|---------|-----------------|-----------|--------------------------------|----------|--------|
| 17-0439 | 1 | 600 | 50 | 1.2* | 7 |
| 17-0648 | 1 | 600 | 50 | 1.2* | 10 |
| 17-0510 | 1 | 600 | 100 | - | 7 |

| mm | inch |
|------|-------|
| 0.1 | 0.004 |
| 4.2 | 0.165 |
| 6 | 0.236 |
| 6.35 | 0.250 |
| 6.85 | 0.270 |
| 7 | 0.276 |
| 8 | 0.315 |
| 8.8 | 0.346 |
| 12.7 | 0.500 |
| 25.4 | 1.000 |
| 26.4 | 1.039 |
| 39.4 | 1.551 |
| 48.2 | 1.898 |

* VSWR \leq 1.10 at 860 MHz

800 W 1 GHz AIN

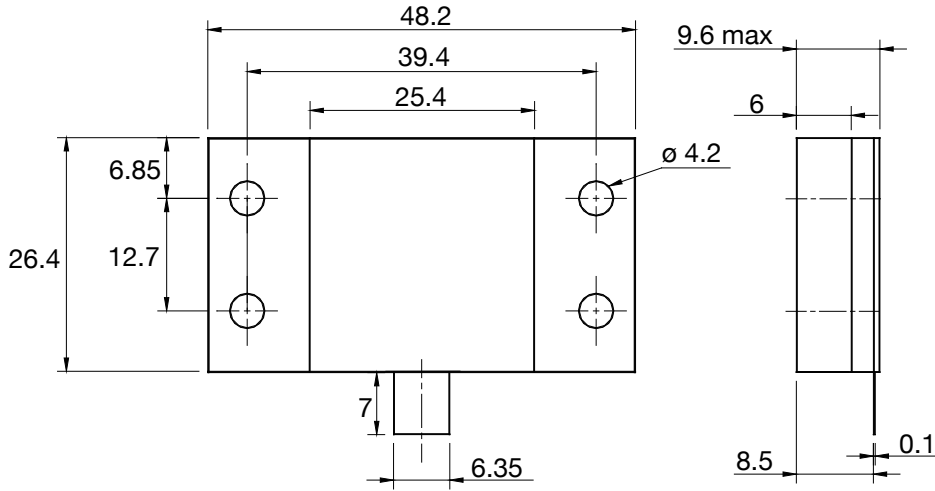
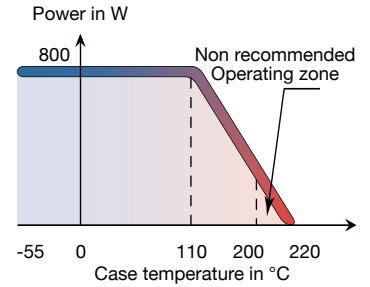


Standards
NF C 96-315
MIL-DTL-39030



Stripline Terminations

| | |
|-------------------------|--------------------------------|
| Substrate | AIN |
| Resistive film | Thick film |
| Tab/Plating | CuBe/Ag |
| Mounting flange/Plating | Cu/Ni |
| Cover substrate | Al ₂ O ₃ |
| Size | 190104 |



Dimensions in mm

[Return to Search by Part Number](#)

| P/N | Frequency (GHz) | Power (W) | Impedance ($\Omega \pm 5\%$) | Max VSWR |
|---------|-----------------|-----------|--------------------------------|----------|
| 17-0530 | 1 | 800 | 50 | 1.25* |
| 17-0739 | 1 | 800 | 100 | - |

| mm | inch |
|------|-------|
| 0.1 | 0.004 |
| 4.2 | 0.166 |
| 6 | 0.236 |
| 6.35 | 0.250 |
| 6.85 | 0.270 |
| 7 | 0.276 |
| 8.5 | 0.335 |
| 9.6 | 0.378 |
| 12.7 | 0.500 |
| 25.4 | 1.000 |
| 26.4 | 1.040 |
| 39.4 | 1.551 |
| 48.2 | 1.898 |

* Optimised for digital applications VSWR ≤ 1.06 at 800 MHz

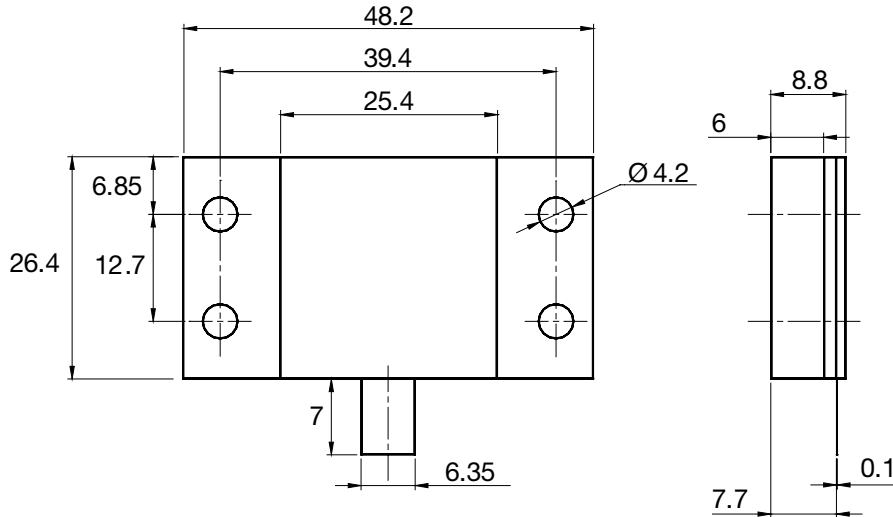
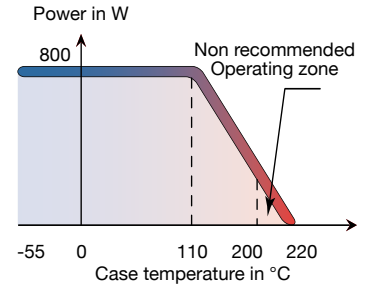
800 W 1 GHz BeO



Standards
NF C 96-315
MIL-DTL-39030



| | |
|-------------------------|--------------------------------|
| Substrate | BeO |
| Resistive film | Thick film |
| Tab/Plating | CuBe/Ag |
| Mounting flange/Plating | Cu/Ni |
| Cover substrate | Al ₂ O ₃ |
| Size | 190104 |



Dimensions in mm

Stripline Terminations

[Return to Search by Part Number](#)

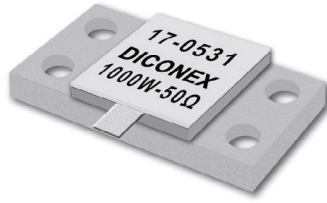
| P/N | Frequency (GHz) | Power (W) | Impedance (Ω ± 5%) | Max VSWR |
|---------|-----------------|-----------|--------------------|----------|
| 17-0402 | 0.25 | 800 | 12.5 | - |
| 17-0409 | 0.25 | 800 | 25 | - |
| 17-0376 | 1 | 800 | 50 | 1.20 |
| 17-0360 | 1 | 800 | 100 | - |

| mm | inch |
|------|-------|
| 0.1 | 0.004 |
| 4.2 | 0.165 |
| 6 | 0.236 |
| 6.35 | 0.250 |
| 6.85 | 0.270 |
| 7 | 0.276 |
| 7.7 | 0.303 |
| 8.8 | 0.346 |
| 12.7 | 0.500 |
| 25.4 | 1.000 |
| 26.4 | 1.040 |
| 39.4 | 1.551 |
| 48.2 | 1.898 |

1000 W 1 GHz AIN

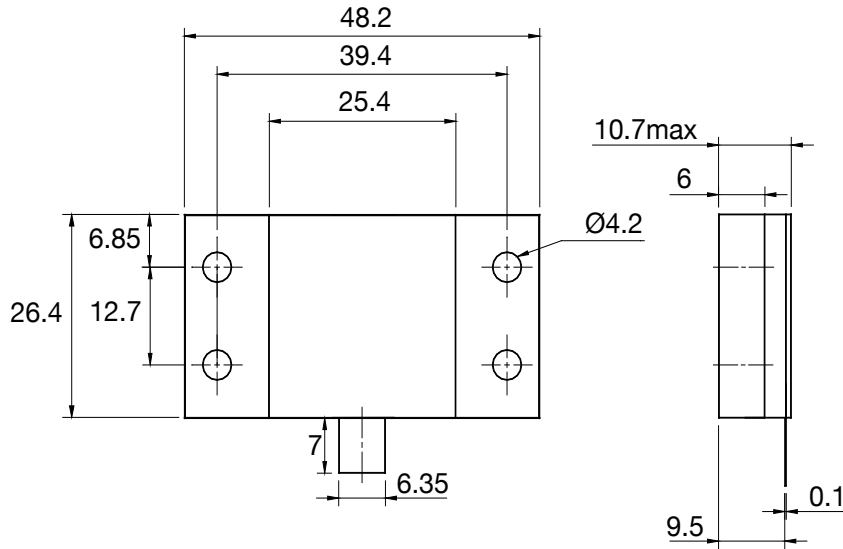
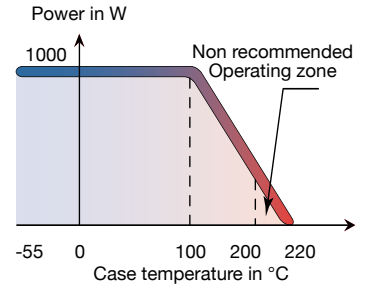


Standards
NF C 96-315
MIL-DTL-39030



Stripline Terminations

| | |
|-------------------------|--------------------------------|
| Substrate | AIN |
| Resistive film | Thick film |
| Tab/Plating | CuBe/Ag |
| Mounting flange/Plating | Cu/Ni |
| Cover substrate | Al ₂ O ₃ |
| Size | 190104 |



Dimensions in mm

Return to Search by Part Number

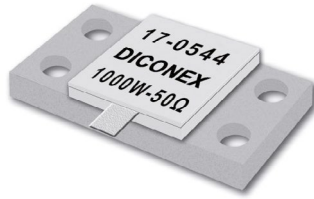
| P/N | Frequency (GHz) | Power (W) | Impedance (Ω ± 5%) | Max VSWR |
|---------|-----------------|-----------|--------------------|----------|
| 17-0531 | 1 | 1000 | 50 | 1.10* |

| mm | inch |
|------|-------|
| 0.1 | 0.004 |
| 4.2 | 0.166 |
| 6 | 0.236 |
| 6.35 | 0.250 |
| 6.85 | 0.270 |
| 7 | 0.276 |
| 9.5 | 0.374 |
| 10.7 | 0.421 |
| 12.7 | 0.500 |
| 25.4 | 1.000 |
| 26.4 | 1.040 |
| 39.4 | 1.551 |
| 48.2 | 1.898 |

* Optimised for digital applications VSWR ≤ 1.06 at 860 MHz



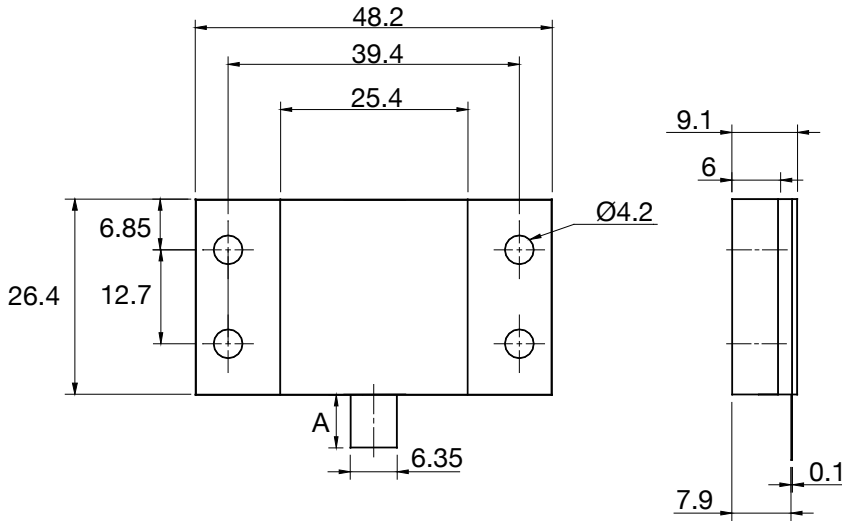
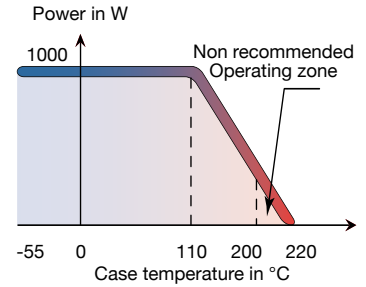
1000 W 1 GHz BeO



Standards
NF C 96-315
MIL-DTL-39030

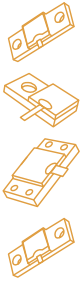


| | |
|-------------------------|--------------------------------|
| Substrate | BeO |
| Resistive film | Thick film |
| Tab/Plating | CuBe/Ag |
| Mounting flange/Plating | Cu/Ni |
| Cover substrate | Al ₂ O ₃ |
| Size | 190104 |



Dimensions in mm

Stripline Terminations



[Return to Search by Part Number](#)

| P/N | Frequency (GHz) | Power (W) | Impedance (Ω ± 5%) | Max VSWR | A (mm) |
|---------|-----------------|-----------|--------------------|----------|--------|
| 17-0544 | 1 | 1000 | 50 | 1.25* | 7 |
| 17-0555 | 1 | 1000 | 50 | 1.25* | 10 |

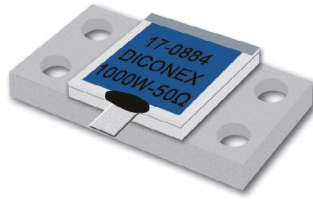
| mm | inch |
|------|-------|
| 0.1 | 0.004 |
| 4.2 | 0.166 |
| 6 | 0.236 |
| 6.35 | 0.250 |
| 6.85 | 0.270 |
| 7 | 0.276 |
| 7.9 | 0.311 |
| 9.1 | 0.358 |
| 10 | 0.394 |
| 12.7 | 0.500 |
| 25.4 | 1.000 |
| 26.4 | 1.040 |
| 39.4 | 1.551 |
| 48.2 | 1.898 |

* Optimised for digital applications VSWR ≤ 1.06 at 800 MHz

1000 W 2.45 GHz BeO

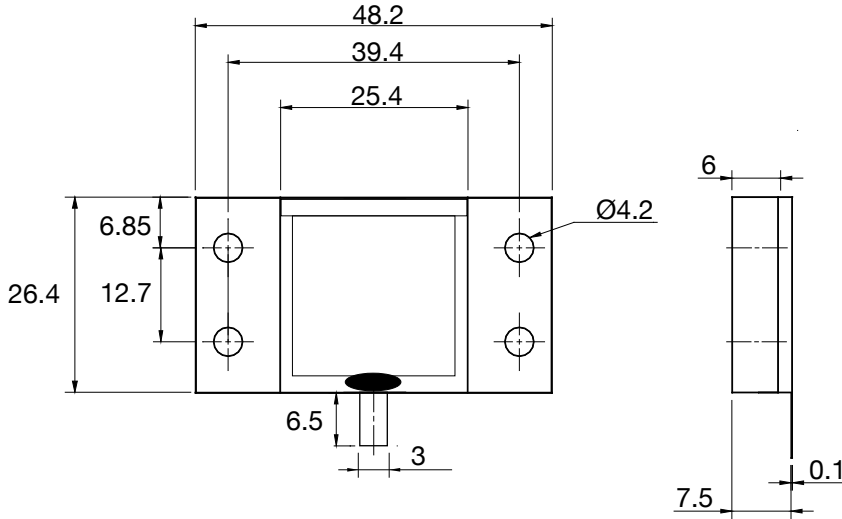
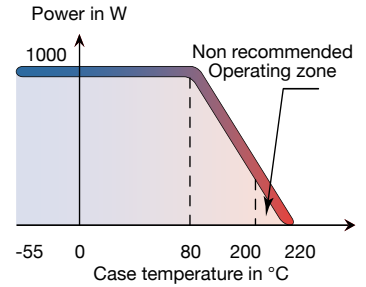


Standards
NF C 96-315
MIL-DTL-39030

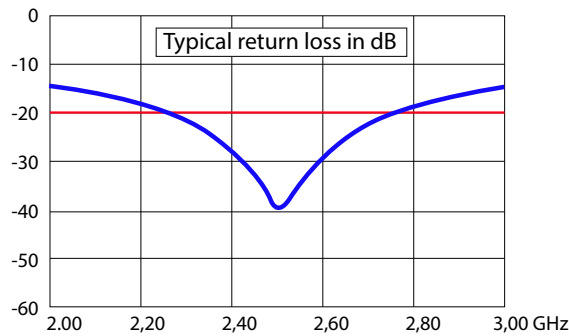


Stripline Terminations

| | |
|-------------------------|---------------------------------|
| Substrate | BeO |
| Resistive film | Thick film |
| Tab/Plating | CuBe/Ag |
| Mounting flange/Plating | Cu/Ni |
| Tab attachment | Brazed with epoxy encapsulation |
| Size | 190104 |



Dimensions in mm



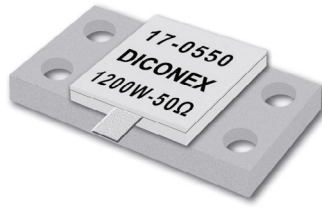
Return to Search by Part Number

| P/N | Frequency (GHz) | Power (W) | Impedance ($\Omega \pm 5\%$) | Max VSWR |
|---------|-----------------|-----------|--------------------------------|----------|
| 17-0884 | 2.4-2.5 | 1000* | 50 | 1.15* |

| mm | inch |
|------|-------|
| 0.1 | 0.004 |
| 3 | 0.118 |
| 4.2 | 0.166 |
| 6 | 0.236 |
| 6.5 | 0.256 |
| 6.85 | 0.270 |
| 7.5 | 0.295 |
| 12.7 | 0.500 |
| 25.4 | 1.000 |
| 26.4 | 1.040 |
| 39.4 | 1.551 |
| 48.2 | 1.898 |

* 1000 W power rating is given for 80 °C case temperature,
Power rating falls to 800 W for 110 °C case temperature.

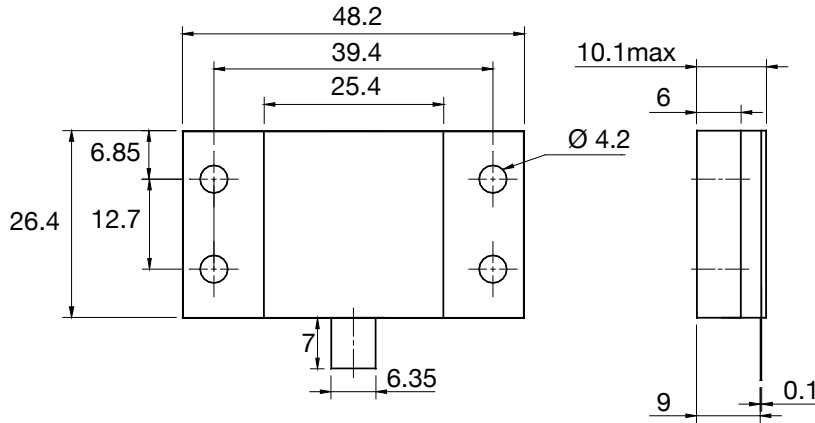
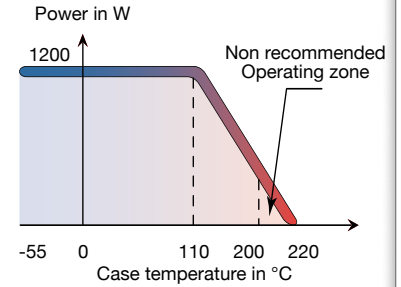
1200 W 1 GHz BeO



Standards
NF C 96-315
MIL-DTL-39030



| | |
|-------------------------|--------------------------------|
| Substrate | BeO |
| Resistive film | Thick film |
| Tab/Plating | CuBe/Ag |
| Mounting flange/Plating | Cu/Ni |
| Cover substrate | Al ₂ O ₃ |
| Size | 190104 |



Stripline Terminations



Dimensions in mm

[Return to Search by Part Number](#)

| P/N | Frequency (GHz) | Power (W) | Impedance (Ω ± 5%) | Max VSWR |
|---------|-----------------|-----------|--------------------|----------|
| 17-0813 | 1 | 1200 | 25 | - |
| 17-0550 | 1 | 1200 | 50 | 1.25* |
| 17-0658 | 1 | 1200 | 100 | - |

| mm | inch |
|------|-------|
| 0.1 | 0.004 |
| 4.2 | 0.166 |
| 6 | 0.236 |
| 6.35 | 0.250 |
| 6.85 | 0.270 |
| 7 | 0.276 |
| 9 | 0.354 |
| 10.1 | 0.398 |
| 12.7 | 0.500 |
| 25.4 | 1.000 |
| 26.4 | 1.040 |
| 39.4 | 1.551 |
| 48.2 | 1.898 |

* Optimised for digital applications VSWR ≤ 1.06 at 800 MHz

1200 W 1.5 GHz BeO

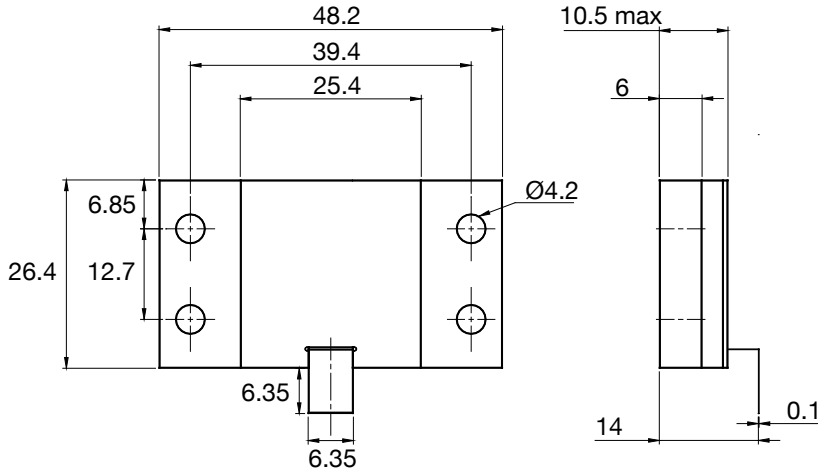
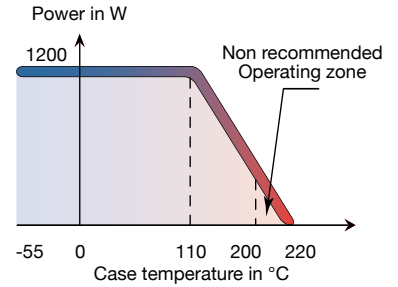


Standards
NF C 96-315
MIL-DTL-39030



Stripline Terminations

| | |
|-------------------------|--------------------------------|
| Substrate | BeO |
| Resistive film | Thick film |
| Tab/Plating | CuBe/Ag |
| Mounting flange/Plating | Cu/Ni |
| Cover substrate | Al ₂ O ₃ |
| Size | 190104 |



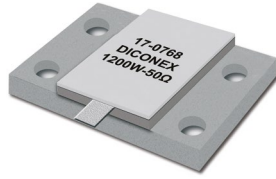
Dimensions in mm

[Return to Search by Part Number](#)

| P/N | Frequency (GHz) | Power (W) | Impedance (Ω ± 5%) | Max VSWR |
|---------|-----------------|-----------|--------------------|----------|
| 17-0748 | 1.5 | 1200 | 100 | - |

| mm | inch |
|------|-------|
| 0.1 | 0.004 |
| 4.2 | 0.166 |
| 6 | 0.236 |
| 6.35 | 0.250 |
| 6.85 | 0.270 |
| 10.5 | 0.413 |
| 12.7 | 0.500 |
| 14 | 0.551 |
| 25.4 | 1.000 |
| 26.4 | 1.040 |
| 39.4 | 1.551 |
| 48.2 | 1.898 |

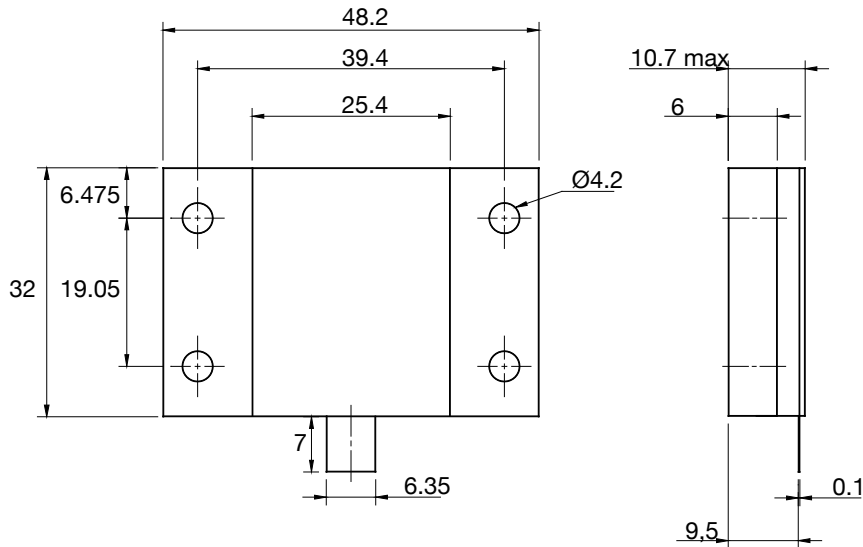
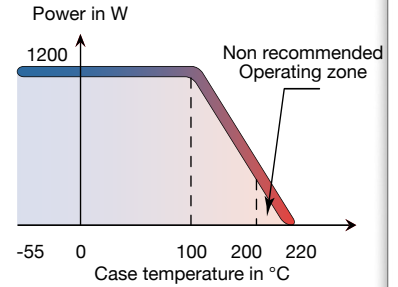
1200 W 1 GHz AIN



Standards
NF C 96-315
MIL-DTL-39030



| | |
|-------------------------|--------------------------------|
| Substrate | AIN |
| Resistive film | Thick film |
| Tab/Plating | CuBe/Ag |
| Mounting flange/Plating | Cu/Ni |
| Cover substrate | Al ₂ O ₃ |
| Size | 190126 |



Dimensions in mm

Stripline Terminations

Return to Search by Part Number

| P/N | Frequency (GHz) | Power (W) | Impedance (Ω ± 5%) | Max VSWR |
|---------|-----------------|-----------|--------------------|----------|
| 17-0768 | 1 | 1200 | 50 | 1.25* |

| mm | inch |
|-------|-------|
| 0.1 | 0.004 |
| 4.2 | 0.166 |
| 6 | 0.236 |
| 6.35 | 0.250 |
| 6.465 | 0.254 |
| 9.5 | 0.374 |
| 10.7 | 0.421 |
| 19.05 | 0.75 |
| 25.4 | 1.000 |
| 32 | 1.260 |
| 39.4 | 1.551 |
| 48.2 | 1.898 |

* Optimised for digital applications VSWR ≤ 1.06 at 860 MHz

1350 W 1.5 GHz BeO

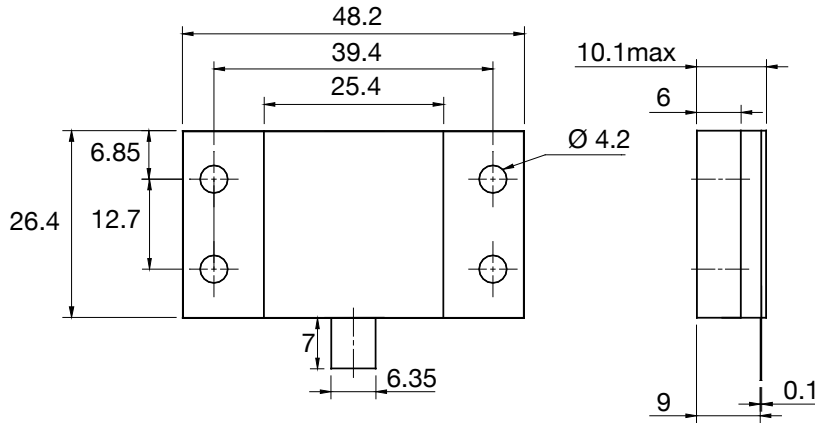
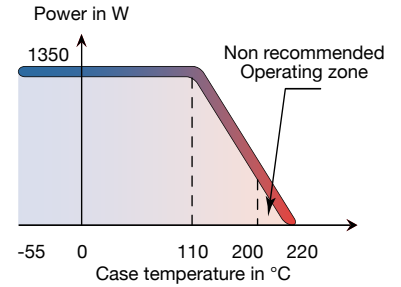


Standards
NF C 96-315
MIL-DTL-39030

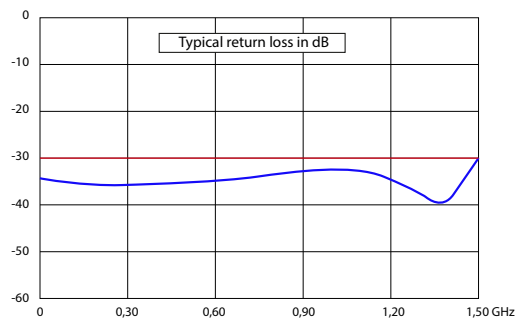


Stripline Terminations

| | |
|-------------------------|--------------------------------|
| Substrate | BeO |
| Resistive film | Thick film |
| Tab/Plating | CuBe/Ag |
| Mounting flange/Plating | Cu/Ni |
| Cover substrate | Al ₂ O ₃ |
| Size | 190104 |



Dimensions in mm



Return to Search by Part Number

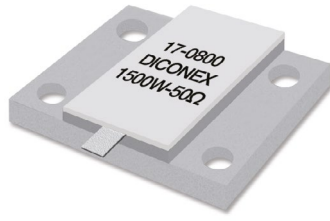
| P/N | Frequency (GHz) | Power (W) | Impedance ($\Omega \pm 5\%$) | Max VSWR |
|---------|-----------------|-----------|--------------------------------|----------|
| 17-0712 | 1.5 | 1350 | 50 | 1.15* |
| 17-0731 | 1.5 | 1350 | 100 | - |

| mm | inch |
|------|-------|
| 0.1 | 0.004 |
| 4.2 | 0.166 |
| 6 | 0.236 |
| 6.35 | 0.250 |
| 6.85 | 0.270 |
| 7 | 0.276 |
| 9 | 0.354 |
| 10.1 | 0.398 |
| 12.7 | 0.500 |
| 25.4 | 1.000 |
| 26.4 | 1.040 |
| 39.4 | 1.551 |
| 48.2 | 1.898 |

* Optimised for digital applications VSWR \leq 1.06 at 860 MHz



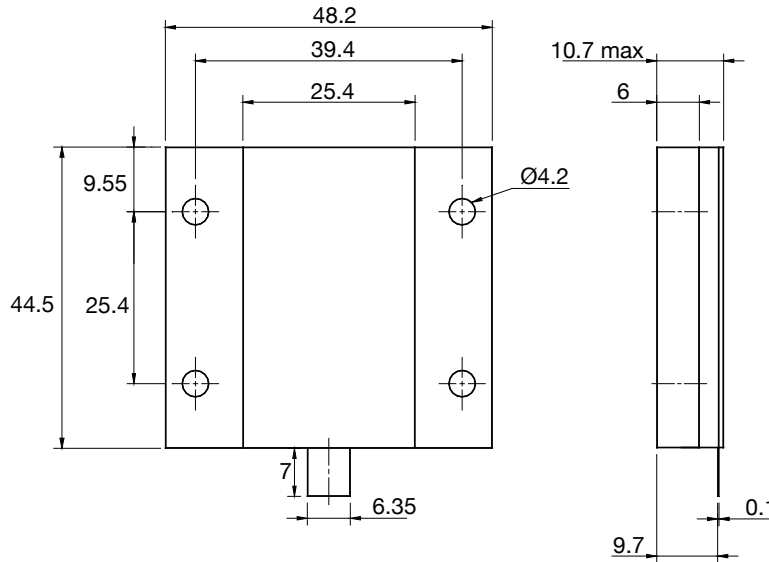
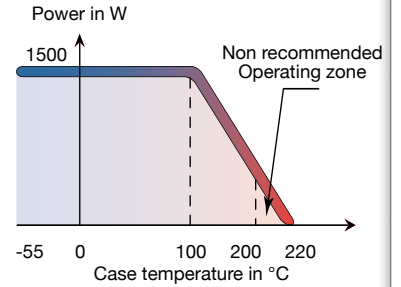
1500 W 0.9 GHz AIN



Standards
NF C 96-315
MIL-DTL-39030



| | |
|-------------------------|--------------------------------|
| Substrate | AIN |
| Resistive film | Thick film |
| Tab/Plating | CuBe/Ag |
| Mounting flange/Plating | Cu/Ni |
| Cover substrate | Al ₂ O ₃ |
| Size | 190175 |



Dimensions in mm

Stripline Terminations

[Return to Search by Part Number](#)

| P/N | Frequency (GHz) | Power (W) | Impedance (Ω ± 5%) | Max VSWR |
|---------|-----------------|-----------|--------------------|----------|
| 17-0800 | 0.9 | 1500 | 50 | 1.15* |

| mm | inch |
|------|-------|
| 0.1 | 0.004 |
| 4.2 | 0.166 |
| 6 | 0.236 |
| 6.35 | 0.250 |
| 7 | 0.276 |
| 9.55 | 0.376 |
| 9.7 | 0.382 |
| 10.7 | 0.421 |
| 25.4 | 1.000 |
| 39.4 | 1.551 |
| 44.5 | 1.75 |
| 48.2 | 1.898 |

* Optimised for digital applications VSWR ≤ 1.06 at 860 MHz

1500 W 1.5 GHz BeO

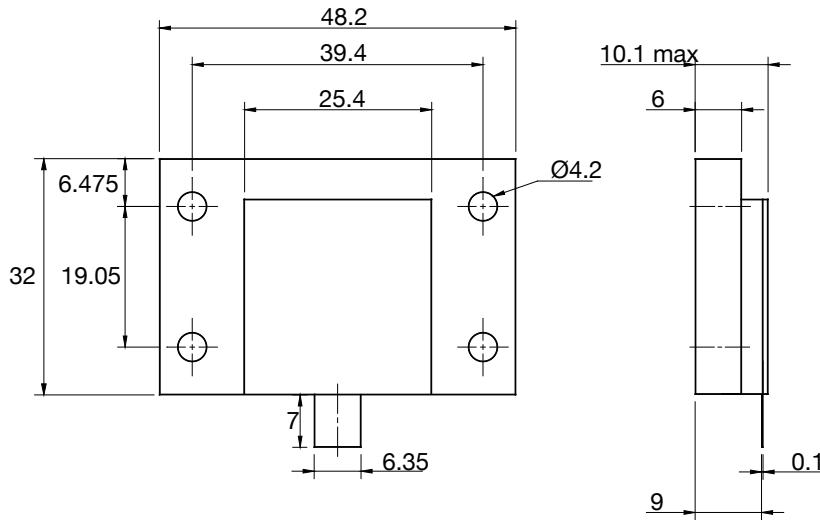
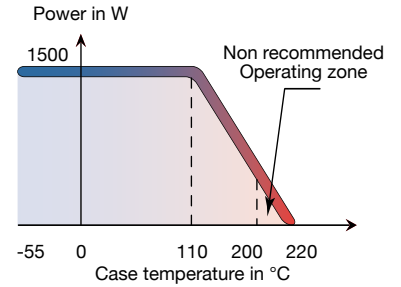


Standards
NF C 96-315
MIL-DTL-39030

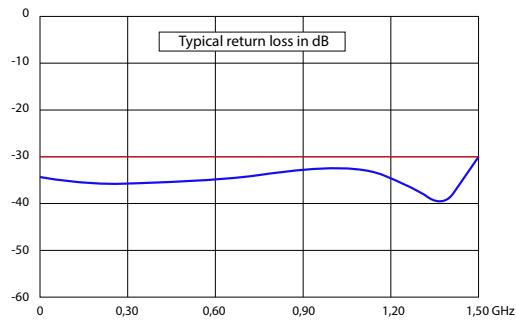


Stripline Terminations

| | |
|-------------------------|--------------------------------|
| Substrate | BeO |
| Resistive film | Thick film |
| Tab/Plating | CuBe/Ag |
| Mounting flange/Plating | Cu/Ni |
| Cover substrate | Al ₂ O ₃ |
| Size | 190126 |



Dimensions in mm



[Return to Search by Part Number](#)

| P/N | Frequency (GHz) | Power (W) | Impedance ($\Omega \pm 5\%$) | Max VSWR |
|---------|-----------------|-----------|--------------------------------|----------|
| 17-0694 | 1.5 | 1500 | 50 | 1.15* |
| 17-0732 | 1.5 | 1500 | 100 | - |

| mm | inch |
|-------|-------|
| 0.1 | 0.004 |
| 4.2 | 0.166 |
| 6 | 0.236 |
| 6.35 | 0.250 |
| 6.475 | 0.255 |
| 7 | 0.276 |
| 9 | 0.354 |
| 10.1 | 0.398 |
| 19.05 | 0.750 |
| 25.4 | 1.000 |
| 32 | 1.260 |
| 39.4 | 1.551 |
| 48.2 | 1.898 |

* Optimised for digital applications VSWR \leq 1.06 at 860 MHz



1650 W 1.5 GHz BeO

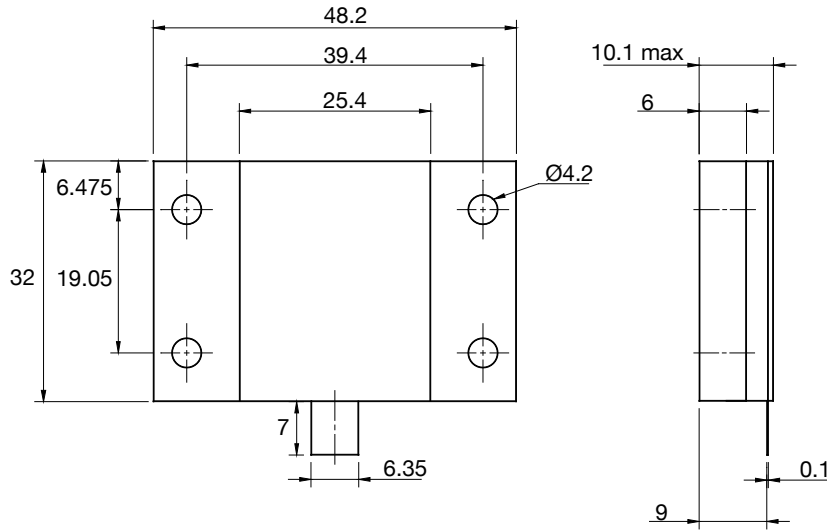
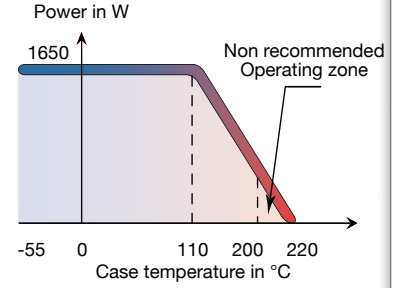
Standards
NF C 96-315
MIL-DTL-39030



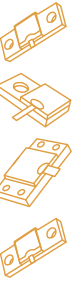
Standards
NF C 96-315
MIL-DTL-39030



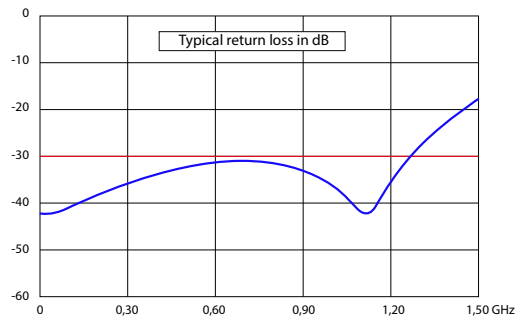
| | |
|-------------------------|--------------------------------|
| Substrate | BeO |
| Resistive film | Thick film |
| Tab/Plating | CuBe/Ag |
| Mounting flange/Plating | Cu/Ni |
| Cover substrate | Al ₂ O ₃ |
| Size | 190126 |



Stripline Terminations



Dimensions in mm



Return to Search by Part Number

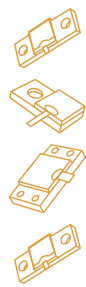
| P/N | Frequency (GHz) | Power (W) | Impedance ($\Omega \pm 5\%$) | Max VSWR |
|---------|-----------------|-----------|--------------------------------|----------|
| 17-0695 | 1.5 | 1650 | 50 | 1.30* |
| 17-0733 | 1.5 | 1650 | 100 | - |

| mm | inch |
|-------|-------|
| 0.1 | 0.004 |
| 4.2 | 0.166 |
| 6 | 0.236 |
| 6.35 | 0.250 |
| 6.475 | 0.255 |
| 7 | 0.276 |
| 9 | 0.354 |
| 10.1 | 0.398 |
| 19.05 | 0.750 |
| 25.4 | 1.000 |
| 32 | 1.260 |
| 39.4 | 1.551 |
| 48.2 | 1.898 |

* Optimised for digital applications VSWR \leq 1.06 at 860 MHz

Search by Part Number

Stripline Terminations



| Part Number | Page |
|---------------------------|------|
| 17-0218 | D4 |
| 17-0236 | D23 |
| 17-0237 | D17 |
| 17-0271 | D3 |
| 17-0289 | D4 |
| 17-0290 | D12 |
| 17-0295 | D16 |
| 17-0304 | D9 |
| 17-0315 | D6 |
| 17-0323 | D16 |
| 17-0324 | D16 |
| 17-0325 | D12 |
| 17-0326 | D12 |
| 17-0329 | D34 |
| 17-0340 | D29 |
| 17-0345 | D21 |
| 17-0356 | D35 |
| 17-0357HB | D28 |
| 17-0357 | D29 |
| 17-0360 | D39 |
| 17-0376 | D39 |
| 17-0385 | D13 |
| 17-0390 | D13 |
| 17-0402 | D39 |
| 17-0404 | D23 |
| 17-0408 | D27 |
| 17-0409 | D39 |
| 17-0426 | D6 |
| 17-0435 | D22 |
| 17-0438 | D31 |
| 17-0439 | D37 |
| 17-0446 | D25 |
| 17-0456 | D33 |
| 17-0458 | D15 |
| 17-0459 | D13 |
| 17-0464 | D13 |
| 17-0465 | D19 |
| 17-0466 | D27 |
| 17-0467 | D3 |
| 17-0469 | D29 |
| 17-0481 | D25 |
| 17-0496 | D18 |
| 17-0510 | D37 |
| 17-0513 | D27 |

| Part Number | Page |
|-------------------------|------|
| 17-0515 | D35 |
| 17-0522 | D15 |
| 17-0524 | D13 |
| 17-0525 | D29 |
| 17-0528 | D33 |
| 17-0530 | D38 |
| 17-0531 | D40 |
| 17-0532 | D24 |
| 17-0537 | D11 |
| 17-0544 | D41 |
| 17-0550 | D43 |
| 17-0555 | D41 |
| 17-0556 | D12 |
| 17-0558 | D16 |
| 17-0560 | D27 |
| 17-0565 | D15 |
| 17-0573 | D30 |
| 17-0594 | D5 |
| 17-0596 | D10 |
| 17-0597 | D10 |
| 17-0598 | D10 |
| 17-0599 | D14 |
| 17-0600 | D14 |
| 17-0601 | D14 |
| 17-0602 | D20 |
| 17-0603 | D20 |
| 17-0604 | D20 |
| 17-0606 | D29 |
| 17-0612 | D33 |
| 17-0634 | D8 |
| 17-0635 | D8 |
| 17-0646 | D24 |
| 17-0648 | D38 |
| 17-0649 | D35 |
| 17-0658 | D43 |
| 17-0681 | D35 |
| 17-0684 | D25 |
| 17-0687 | D25 |
| 17-0694 | D48 |
| 17-0695 | D49 |
| 17-0696 | D36 |
| 17-0697 | D29 |
| 17-0698 | D36 |
| 17-0699 | D29 |

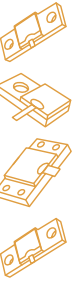
| Part Number | Page |
|-------------------------|------|
| 17-0712 | D46 |
| 17-0731 | D46 |
| 17-0732 | D48 |
| 17-0733 | D49 |
| 17-0739 | D38 |
| 17-0748 | D44 |
| 17-0768 | D45 |
| 17-0800 | D47 |
| 17-0811 | D18 |
| 17-0812 | D18 |
| 17-0813 | D43 |
| 17-0821 | D34 |
| 17-0823 | D7 |
| 17-0850 | D26 |
| 17-0868 | D34 |
| 17-0884 | D42 |
| 17-0890 | D33 |
| 17-0898 | D35 |
| 17-0906 | D29 |
| 17-0943 | D31 |
| 17-3181 | D9 |
| 17-3801 | D9 |



Notes



Stripline Terminations



Notes



Standards
NF C 96-315
MIL-DTL-39030

Stripline Terminations

